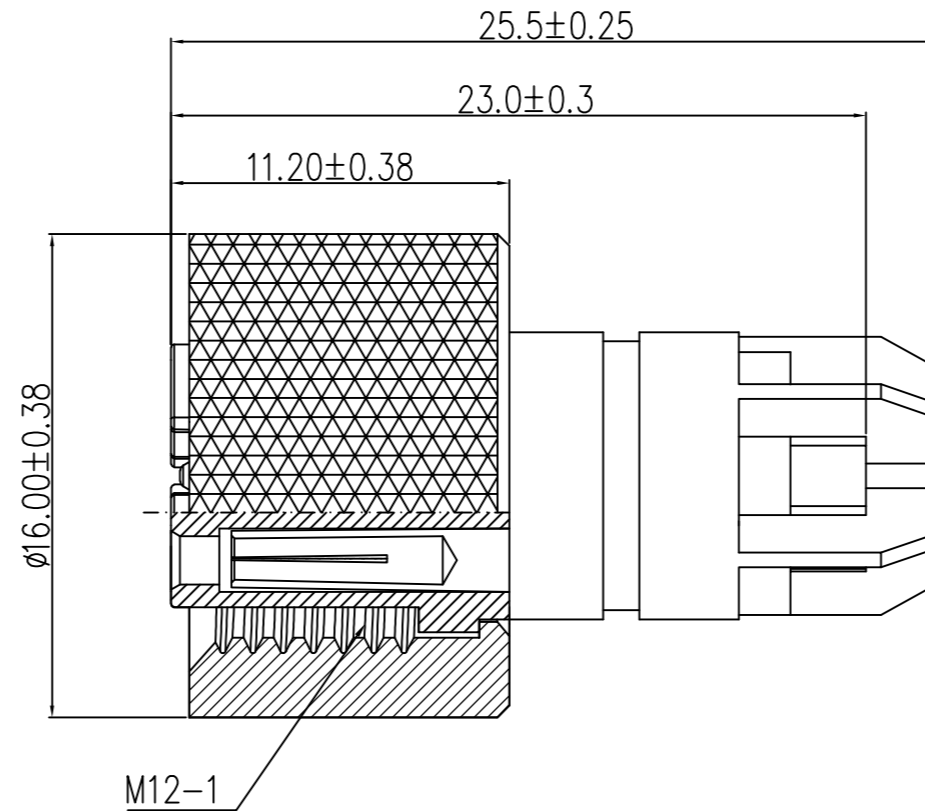
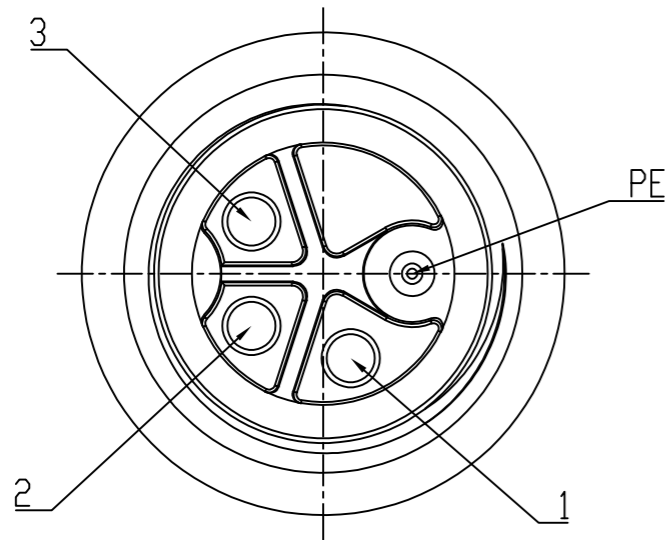
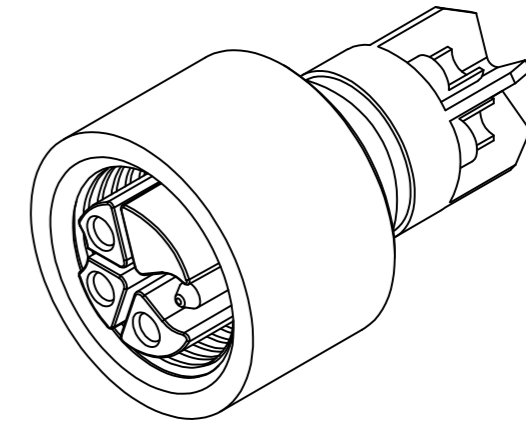


DATE	REV	REVISION CHANGES	ECN	APP'D. BY
8/19/22	A0	INITIAL DRAWING	12037	JE



NOTES:

- CONNECTOR MATERIALS:
HOUSING: BLACK THERMOPLASTIC UL 94V-0
CONTACTS: COPPER ALLOY, GOLD PLATED OVER NICKEL
SHELL: BRASS, NICKEL PLATED
O-RING: EPDM
COUPLING NUT: BRASS, NICKEL PLATED
- CODING TYPE: K
- CURRENT RATING: 12A
- VOLTAGE RATING: 630V
- INSULATION RESISTANCE: 100MΩ MIN.
- DEGREE OF PROTECTION: IP68

SS-12500-002
PART NUMBER

THIRD ANGLE PROJECTION			11118 Susquehanna Trail South Gen Rock, PA 17327-9199 (717) 235-7512 http://www.stewartconnector.com
DO NOT SCALE DRAWING DRAWING IS SUBJECT TO CHANGE WITHOUT NOTICE	TITLE: M12 K-CODE, IP 68 VERTICAL FEMALE	DRW BY: JMM	DATE: 8/19/22
DIMENSIONS: METRIC UNLESS OTHERWISE SPECIFIED TOLERANCES ARE ±0.13 ANGLES ARE ± 1°	THIS DRAWING AND THE SUBJECT MATTER SHOWN THEREON ARE CONFIDENTIAL AND THE PROPRIETARY PROPERTY OF STEWART CONNECTOR AND SHALL NOT BE REPRODUCED, COPIED, OR USED IN ANY MANNER WITHOUT PRIOR WRITTEN CONSENT OF STEWART CONNECTOR, ONE OR MORE U.S. PATENTS MAY APPLY TO THIS PRODUCT. FOR DETAILS, PLEASE VISIT: HTTP://BELFUSE.COM/STEWART/STEWART_PATENTS/	APP'D. BY: JE	DATE: 8/19/22
SHEET NO: 1 OF 1		DRW NO: CT120024	REV: A0

