

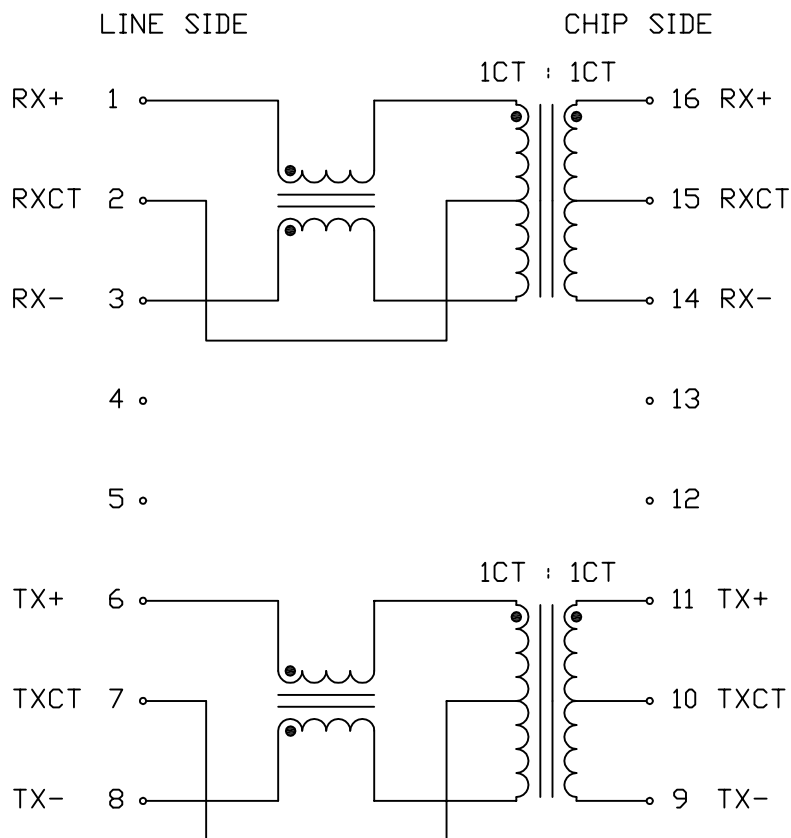
THE INFORMATION CONTAINED HEREIN IS CONSIDERED "PROPRIETARY" TO BEL FUSE INC. AND SHALL NOT BE COPIED, REPRODUCED OR DISCLOSED WITHOUT THE WRITTEN APPROVAL OF BEL FUSE INC.

ELECTRICAL CHARACTERISTICS @25°C

RoHS



SCHEMATIC



URNS RATIO

1-2-3 : 16-15-14
6-7-8 : 11-10-9

1CT : 1CT
1CT : 1CT

POLARITY

PER DOT CONVENTION

DCL

PIN 16-14
PIN 11-9

350µH MIN
@100kHz, 100mVrms
W/8mA DC BIAS

LEAKAGE INDUCTANCE, Le

CHIP SIDE WITH LINE SIDE SHORT

0.3µH MAX
@1MHz, 20mVrms

INTERWINDING CAPACITANCE, Cw/w

LINE SIDE TO CHIP SIDE

30pF MAX
@1MHz, 20mVrms

INSERTION LOSS

300kHz-100MHz

1.0dB MAX

RETURN LOSS

1MHz-30MHz
30-60MHz
60-80MHz

18dB MIN
18-20LOG(F/30MHz) dB MIN
12dB MIN

CROSSTALK

300kHz-100MHz

35dB MIN

CM TO CM MODE REJ

300kHz-100MHz

30dB MIN

CM TO DM MODE REJ

300kHz-100MHz

40dB MIN

HIPOT

LEAKAGE CURRENT LESS THAN 1mA AT 1500VAC

OPERATING TEMPERATURE -40°C TO +85°C

ORIGINATED BY	DATE
Alice Pang	2021-01-27
DRAWN BY	DATE
ZC Guo	2021-01-27

TITLE
10/100BT MAGNETICS MODULE
S558-5999-T7-F

PART NO. / DRAWING NO.
S558-5999-T7-F
FILE NAME
S5585999T7FA.DWG

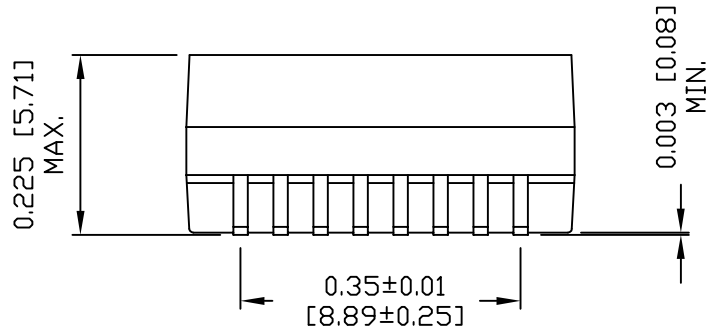
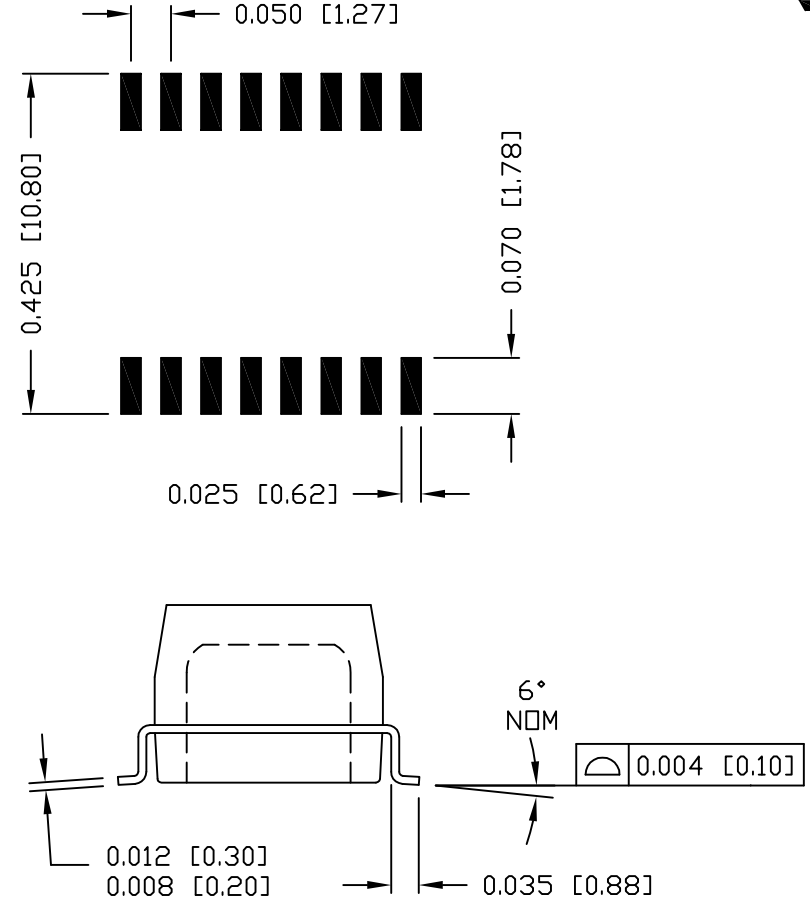
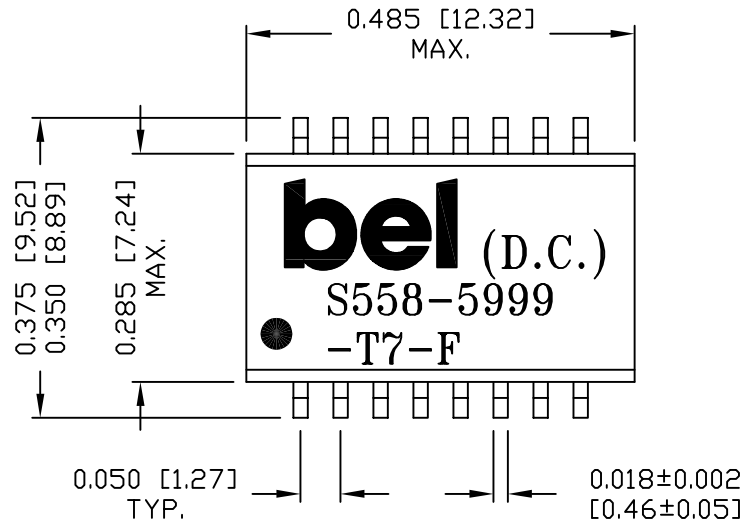
STANDARD DIM.	[] METRIC DIM. AS REF.
TOL. IN INCH	UNIT : INCH [mm]
.X	SCALE : N/A
.XX	SIZE : A4
.XXX	

REV. : A	PAGE : 2

THE INFORMATION CONTAINED HEREIN IS CONSIDERED "PROPRIETARY" TO BEL FUSE INC. AND SHALL NOT BE COPIED, REPRODUCED OR DISCLOSED WITHOUT THE WRITTEN APPROVAL OF BEL FUSE INC.



SUGGESTED PCB PAD LAYOUT



NOTES:

1. STANDARD MARKING REFER TO DDC. HAND-WORK-04.
2. PACKAGE CODE: "QBS001".

ORIGINATED BY	DATE	TITLE	PART NO. / DRAWING NO.	STANDARD DIM.	[] METRIC DIM. AS REF.	REV. : A	PAGE : 3
Lawrence Tsang	2021-01-27	MECHANICAL DRAWING S558-5999-T7-F	S558-5999-T7-F	TOL. IN INCH	UNIT : INCH [mm]	 POWER PROTECT CONNECT	
DRAWN BY	DATE		FILE NAME	.X	SCALE : N/A		
ZC Guo	2021-01-27		S5585999T7FA.DWG	.XX ±0.01	SIZE : A4		
				.XXX ±0.005			