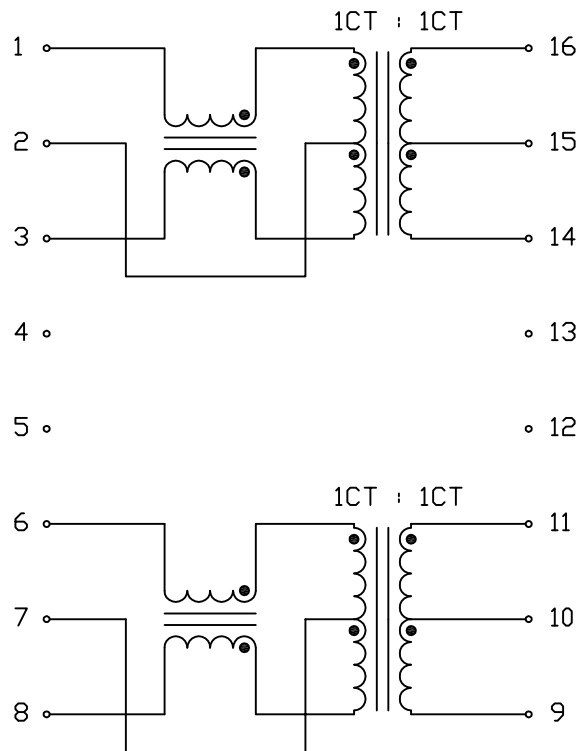


THE INFORMATION CONTAINED HEREIN IS CONSIDERED "PROPRIETARY" TO BEL FUSE INC. AND SHALL NOT BE COPIED, REPRODUCED OR DISCLOSED WITHOUT THE WRITTEN APPROVAL OF BEL FUSE INC.

ELECTRICAL CHARACTERISTICS @25°C



SCHEMATIC



<p>URNS RATIO Tx (1-2-3) : (16-15-14) Rx (6-7-8) : (11-10-9)</p>	<p>1CT : 1CT 1CT : 1CT</p>
<p>POLARITY</p>	<p>PER DOT CONVENTION</p>
<p>OCL (-40°C TO +85°C OPERATING TEMP) TX (16-14) RX (11-9)</p>	<p>350µH MIN @100kHz, 100mV WITH 8mA DC BIAS</p>
<p>LEAKAGE INDUCTANCE, Le TX (16-14) WITH 1-3 SHORTED RX (11-9) WITH 6-8 SHORTED</p>	<p>0.35µH MAX @1MHz 20mV</p>
<p>INTERWINDING CAPACITANCE, Cw/w TX (1-3 TO 16-14) RX (6-8 TO 11-9)</p>	<p>30pF MAX @1MHz 20mV</p>
<p>DC RESISTANCE (1-3) = (6-8) (16-14) = (11-9)</p>	<p>2.0ΩH MAX 1.0ΩH MAX</p>
<p>INSERTION LOSS @100kHz TO 100MHz</p>	<p>1.0dB MAX</p>
<p>RETURN LOSS (UNDER 100ΩH ±15% ENVIRONMENT) @100kHz TO 30MHz @30 TO 60MHz @60 TO 80MHz</p>	<p>18dB MIN 18-20LOG(F/30MHz) dB MIN 12dB MIN</p>
<p>COMMON TO COMMON MODE ATTENUATION @0.1 TO 100MHz</p>	<p>30dB MIN</p>
<p>CROSSTALK @1MHz @30MHz @60MHz @100MHz</p>	<p>65dB MIN 55dB MIN 45dB MIN 35dB MIN</p>
<p>COMMON TO DIFFERENTIAL MODE ATTENUATION @0.1 TO 100MHz</p>	<p>40dB MIN</p>
<p>HIPOT</p>	<p>LEAKAGE CURRENT LESS THAN 1mA AT 1500VAC</p>

ORIGINATED BY	DATE
Alice Pang	2021-01-27
DRAWN BY	DATE
ZC Guo	2021-01-27

TITLE
10/100BT MAGNETICS MODULE S558-5999-T5-F

PART NO. / DRAWING NO.
S558-5999-T5-F
FILE NAME
S5585999T5FA.DWG

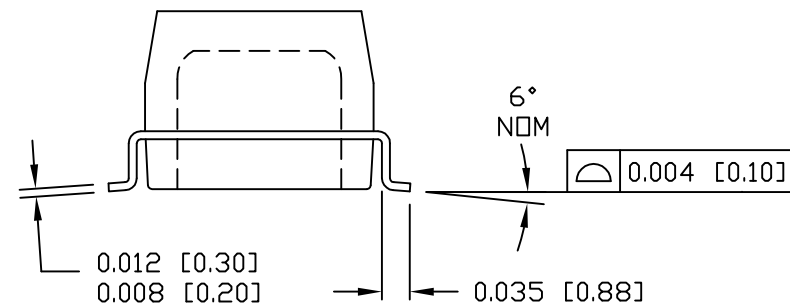
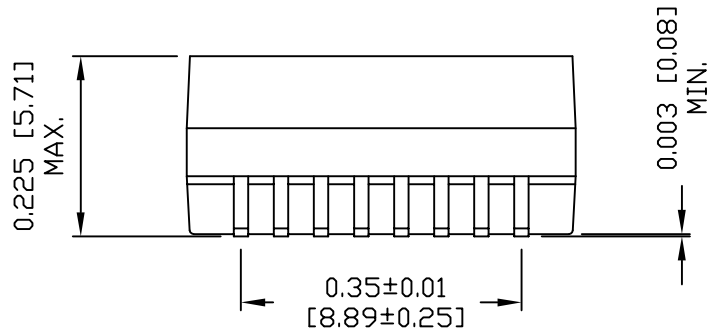
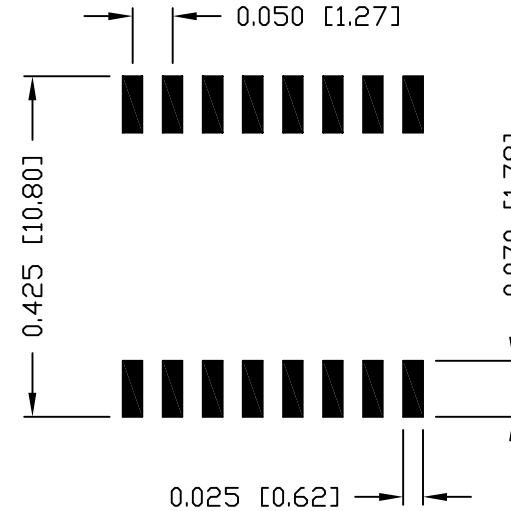
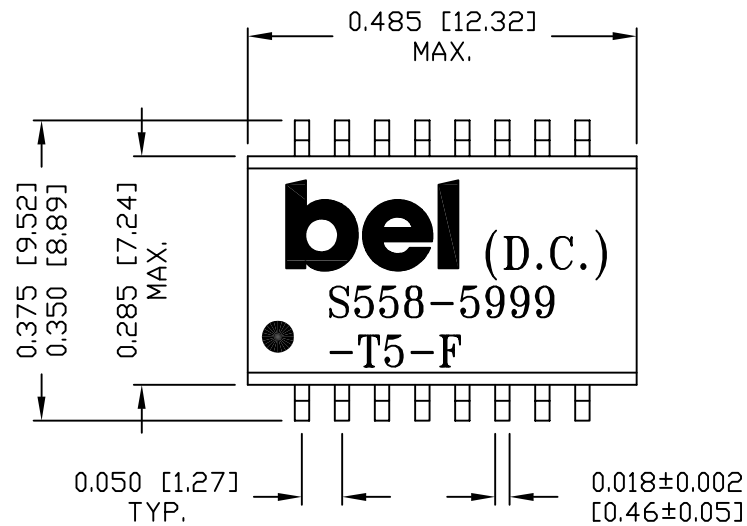
STANDARD DIM.	[] METRIC DIM. AS REF.
TOL. IN INCH	UNIT : INCH [mm]
.X	SCALE : N/A
.XX	SIZE : A4
.XXX	

REV. : A	PAGE : 2

THE INFORMATION CONTAINED HEREIN IS CONSIDERED "PROPRIETARY" TO BEL FUSE INC. AND SHALL NOT BE COPIED, REPRODUCED OR DISCLOSED WITHOUT THE WRITTEN APPROVAL OF BEL FUSE INC.



SUGGESTED PCB PAD LAYOUT



NOTES:

- STANDARD MARKING REFER TO DOC. HAND-WORK-04.
- PACKAGE CODE: "QBS001".

ORIGINATED BY	DATE	TITLE	PART NO. / DRAWING NO.	STANDARD DIM.	[] METRIC DIM. AS REF.	REV. : A	PAGE : 3
Lawrence Tsang	2021-01-27	MECHANICAL DRAWING S558-5999-T5-F	S558-5999-T5-F	TOL. IN INCH	UNIT : INCH [mm]	 POWER PROTECT CONNECT	
DRAWN BY	DATE		FILE NAME	.X	SCALE : N/A		
ZC Guo	2021-01-27		S5585999T5FA.DWG	.XX ±0.01	SIZE : A4		
				.XXX ±0.005			