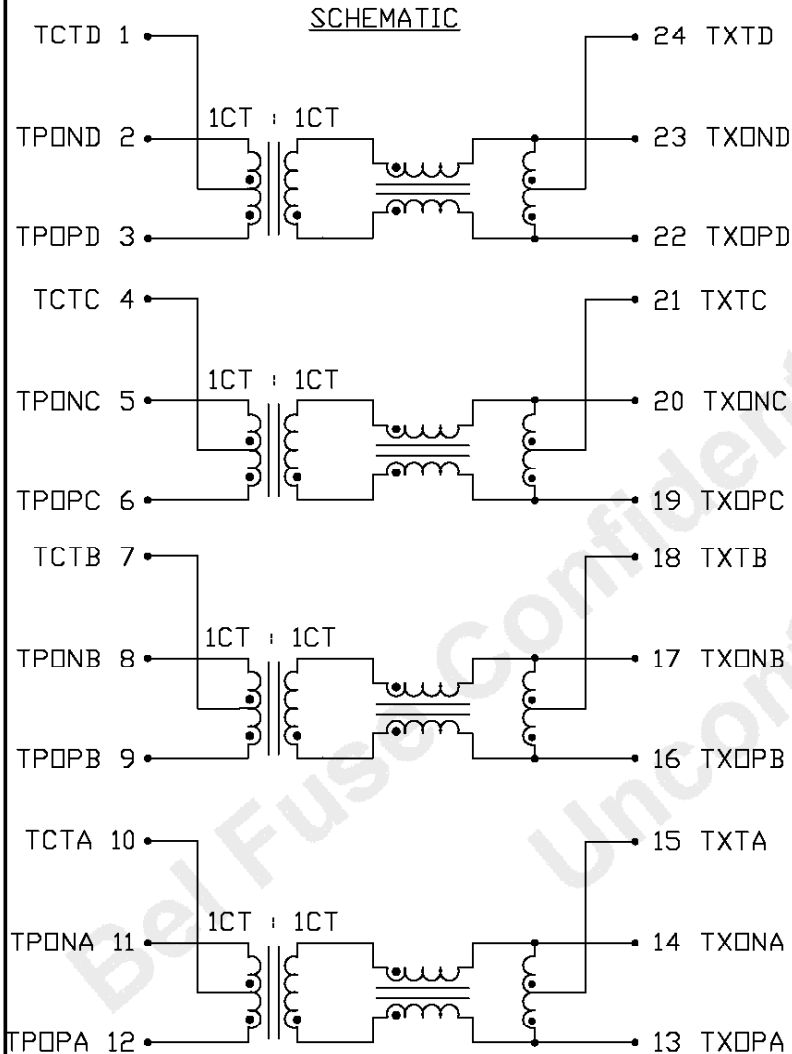


THE INFORMATION CONTAINED HEREIN IS CONSIDERED "PROPRIETARY" TO BEL FUSE INC. AND SHALL NOT BE COPIED, REPRODUCED OR DISCLOSED WITHOUT THE WRITTEN APPROVAL OF BEL FUSE INC.

ELECTRICAL CHARACTERISTICS @ 25°C

RoHS



URNS RATIO

PIN(3-1-2) : (22-24-23) 1CT : 1CT
 PIN(6-4-5) : (19-21-20) 1CT : 1CT
 PIN(9-7-8) : (16-18-17) 1CT : 1CT
 PIN(12-10-11) : (13-15-14) 1CT : 1CT

OCL

350μH MIN. AT 100 kHz, 100mV
 WITH 8mA DC BIAS @25°C

INSERTION LOSS

1.1dB MAX. @ 0.1 MHz
 0.5dB MAX. @ 1 MHz
 0.8dB MAX. @ 65 MHz
 1.0dB MAX. @ 100 MHz
 1.5dB MAX. @ 125 MHz

RETURN LOSS

UNDER 100 OHMS±15% ENVIRONMENT 12-20LOG (f/80 MHz) dBMIN.
 @ 40 TO 100 MHz

COMMON TO COMMON REJECTION

30dB MIN. @ 0.1 TO 100 MHz

CROSSTALK

@ 1-100 MHz
 33-20LOG (f/100 MHz) dB MIN.

HIPOT

LEAKAGE CURRENT LESS THAN 1mA AT 1500VAC

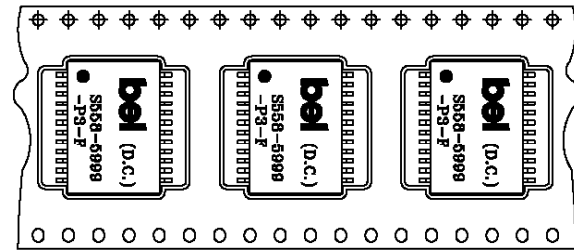
NOTES :

THIS PRODUCT HAS BEEN SUPPLYING TO JAPAN CUSTOMERS. PCN PROCESS NEEDS TO COMPLY WITH 4M CRITERIA.

ORIGINATED BY Alice Pang		DATE 2021-01-27	TITLE ELECTRICAL SPECIFICATION S558-5999-P3-F	PART NO. / DRAWING NO. S558-5999-P3-F		STANDARD DIM. [] METRIC DIM. AS REF.		REV. : A	PAGE : 2
DRAWN BY ZC Guo		DATE 2021-01-27		FILE NAME S5585999P3FA.DWG	TOL. IN INCH		UNIT : INCH [mm]		 POWER PROTECT CONNECT
					.X		SCALE : N/A		
				.XX		 SIZE : A4			
				.XXX					

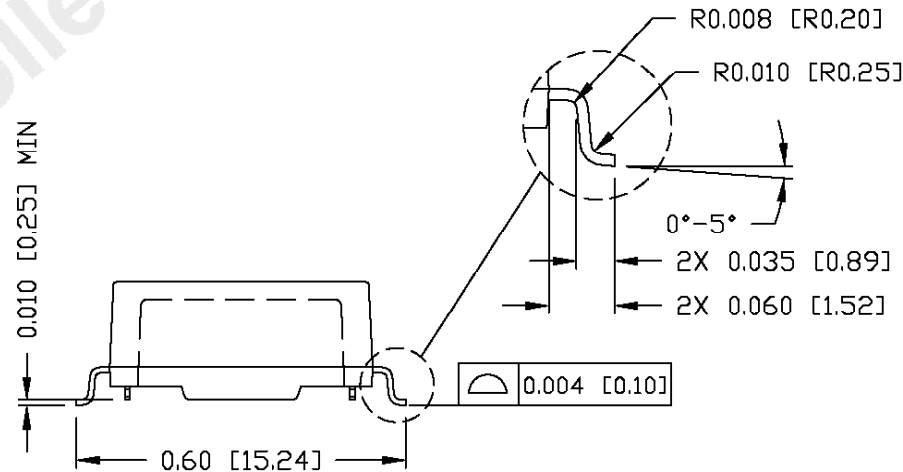
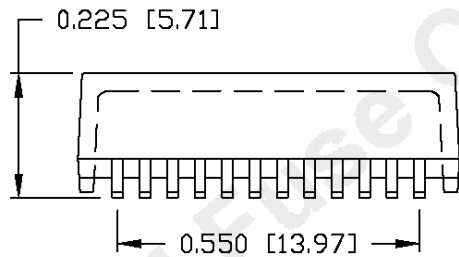
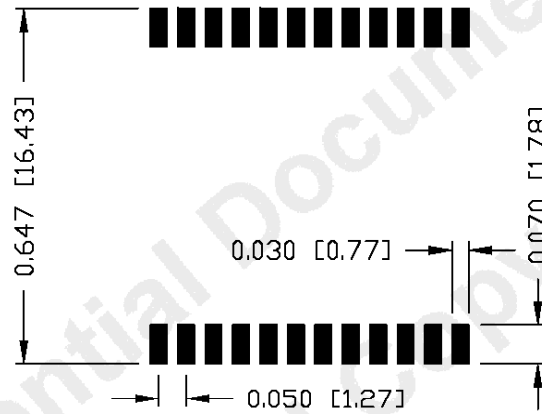
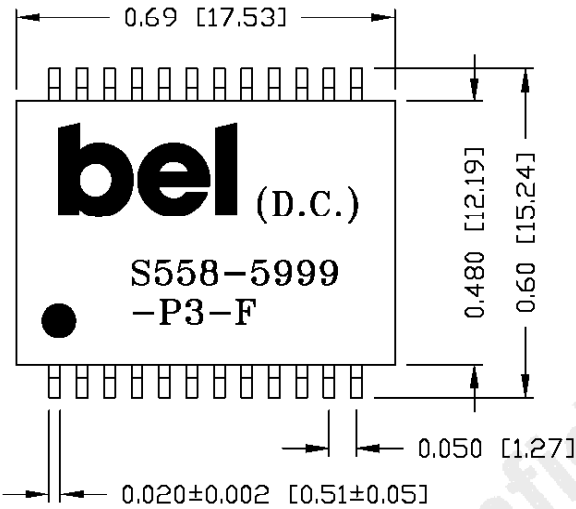
THE INFORMATION CONTAINED HEREIN IS CONSIDERED "PROPRIETARY" TO BEL FUSE INC. AND SHALL NOT BE COPIED, REPRODUCED OR DISCLOSED WITHOUT THE WRITTEN APPROVAL OF BEL FUSE INC.

SUGGESTED PCB PAD LAYOUT



USER FEED DIRECTION
ORIENTATION OF COMPONENT INSIDE POCKET

TAPE WIDTH	32MM
POCKET PITCH	24MM
QUANTITY OF COMPONENTS PER REEL	300
PLASTIC REEL OUTER DIAMETER	13 INCHES
PLASTIC REEL HUB DIAMETER	4 INCHES
COMPLY WITH EIA 481-2-A	



NOTES :

- STANDARD MARKING REFER TO DOC. HAND-WORK-04.
- PACKAGE CODE: "RQS001".
- THIS PRODUCT HAS BEEN SUPPLYING TO JAPAN CUSTOMERS. PCN PROCESS NEEDS TO COMPLY WITH 4M CRITERIA.

REV. : A PAGE : 3

ORIGINATED BY	DATE
Lawrence Tsang	2021-01-27
DRAWN BY	DATE
ZC Guo	2021-01-27

TITLE
MECHANICAL OUTLINE
S558-5999-P3-F

PART NO. / DRAWING NO.
S558-5999-P3-F
FILE NAME
S5585999P3FA.DWG

STANDARD DIM.	[] METRIC DIM. AS REF.
TOL. IN INCH	UNIT : INCH [mm]
.X	SCALE : N/A
.XX ±0.01	SIZE : A4
.XXX ±0.005	

