

THE INFORMATION CONTAINED HEREIN IS CONSIDERED "PROPRIETARY" TO BEL FUSE INC. AND SHALL NOT BE COPIED, REPRODUCED OR DISCLOSED WITHOUT THE WRITTEN APPROVAL OF BEL FUSE INC.



ELECTRICAL CHARACTERISTICS

URNS RATIO

PIN(3-1-2) : (22-24-23) 1CT : 1CT  
 PIN(6-4-5) : (19-21-20) 1CT : 1CT  
 PIN(9-7-8) : (16-18-17) 1CT : 1CT  
 PIN(12-10-11) : (13-15-14) 1CT : 1CT

□CL  
 -40°C TO +85°C

350μH MIN. AT 100kHz, 100mV  
 WITH 8mA DC BIAS

INSERTION LOSS

1.1dB MAX. @ 0.1 MHz  
 0.5dB MAX. @ 1 MHz  
 0.8dB MAX. @ 65 MHz  
 1.0dB MAX. @ 100 MHz  
 1.5dB MAX. @ 125 MHz

RETURN LOSS  
 UNDER 100 □HMS  
 ±15% ENVIRONMENT

18dB MIN. @ 0.5 TO 40 MHz  
 12-20LOG (f/80 MHz) dBMIN.  
 @ 40 TO 100 MHz

COMMON TO COMMON REJECTION 30dB MIN. @ 0.1 TO 100 MHz

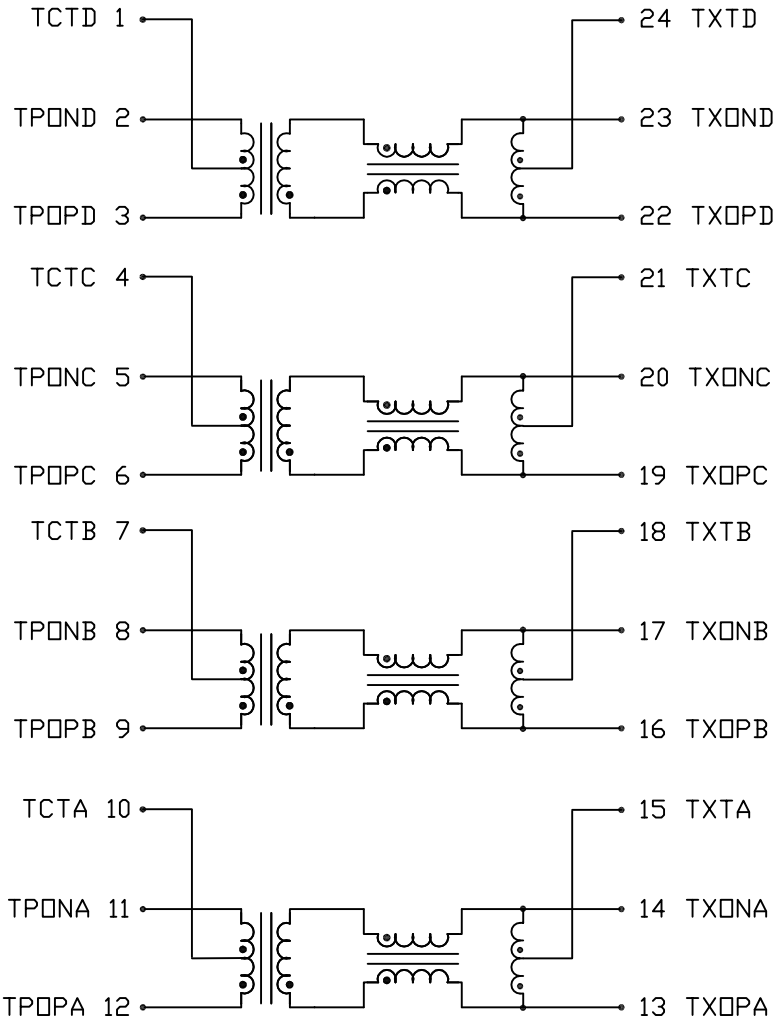
CROSSTALK

@ 1-100 MHz  
 33-20LOG (f/100 MHz) dB MIN.

HIPOT

LEAKAGE CURRENT LESS THAN 1mA AT 1500VAC

SCHEMATIC



ORIGINATED BY DATE  
 Alice Pang 2021-01-27  
 DRAWN BY DATE  
 ZC Guo 2021-01-27

TITLE  
 1000BASE-T MAGNETIC MODULES  
 S558-5999-AT-F

PART NO. / DRAWING NO.  
 S558-5999-AT-F  
 FILE NAME  
 S5585999ATFA.DWG

STANDARD DIM. [ ] METRIC DIM. AS REF.  
 TOL. IN INCH  
 .X  
 .XX  
 .XXX

REV. : A PAGE : 2

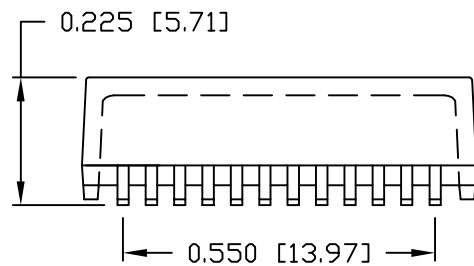
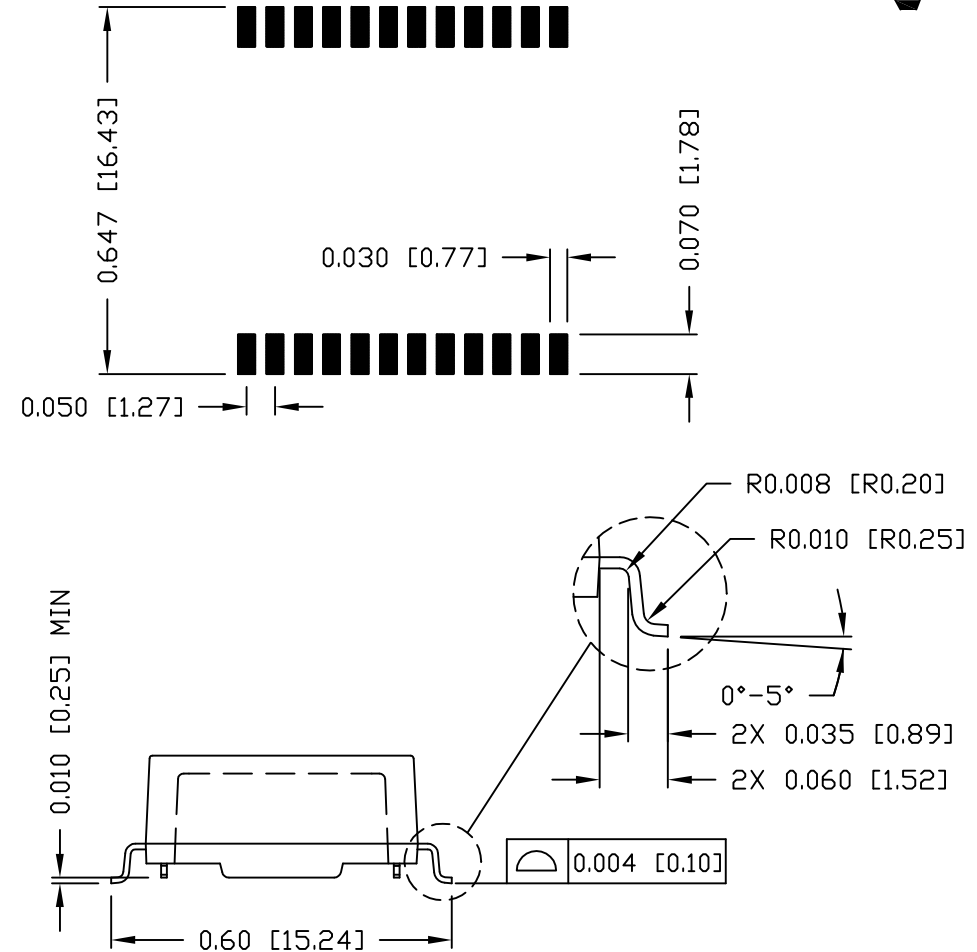
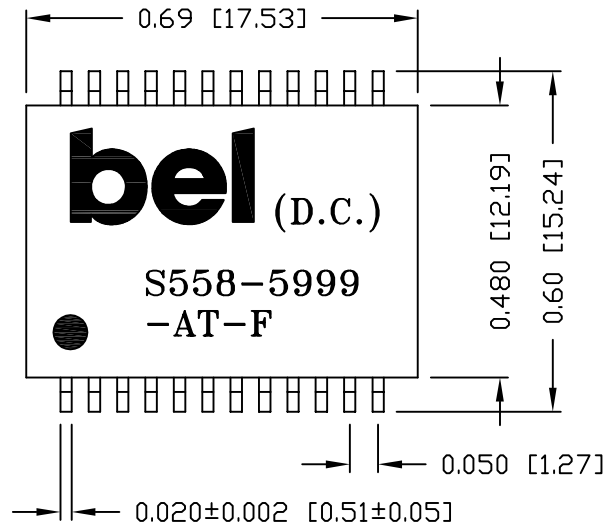


THE INFORMATION CONTAINED HEREIN IS CONSIDERED "PROPRIETARY" TO BEL FUSE INC. AND SHALL NOT BE COPIED, REPRODUCED OR DISCLOSED WITHOUT THE WRITTEN APPROVAL OF BEL FUSE INC.

RoHS



SUGGESTED PCB PAD LAYOUT



NOTES:

1. STANDARD MARKING REFER TO DOC. HAND-WORK-04.
2. PACKAGE CODE: "RQS001".

ORIGINATED BY	DATE
Lawrence Tsang	2021-01-27
DRAWN BY	DATE
ZC Guo	2021-01-27

TITLE
MECHANICAL DRAWING S558-5999-AT-F

PART NO. / DRAWING NO.
S558-5999-AT-F
FILE NAME
S5585999ATFA.DWG

STANDARD DIM.	[ ] METRIC DIM. AS REF.
TOL. IN INCH	UNIT : INCH [mm]
.X	SCALE : N/A
.XX ±0.01	SIZE : A4
.XXX ±0.005	

REV. : A	PAGE : 3
----------	----------

