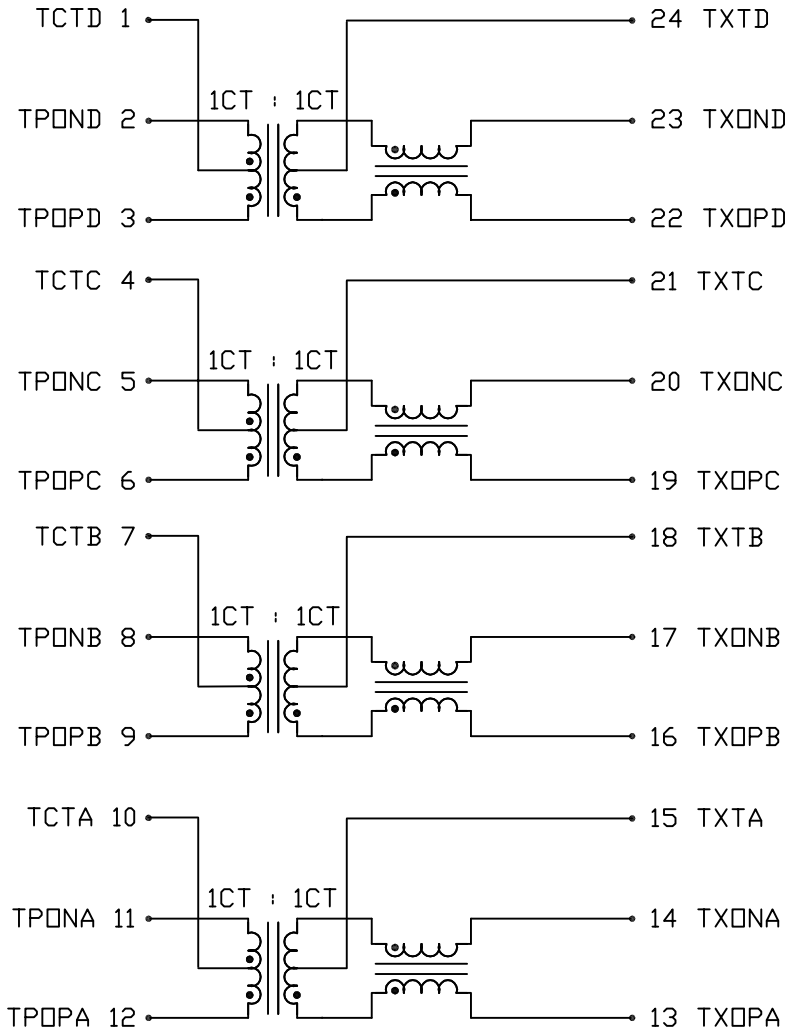


THE INFORMATION CONTAINED HEREIN IS CONSIDERED "PROPRIETARY" TO BEL FUSE INC. AND SHALL NOT BE COPIED, REPRODUCED OR DISCLOSED WITHOUT THE WRITTEN APPROVAL OF BEL FUSE INC.

ELECTRICAL CHARACTERISTICS @25°C



SCHEMATIC



URNS RATIO

(3-1-2) : (22-24-23)
 (6-4-5) : (19-21-20)
 (9-7-8) : (16-18-17)
 (12-10-11) : (13-15-14)

1CT : 1CT
 1CT : 1CT
 1CT : 1CT
 1CT : 1CT

DCL

350μH MIN AT 100kHz, 100mV
 WITH 8mA DC BIAS @25°C

INSERTION LOSS

1.1dB MAX @0.1 TO 1MHz
 0.5dB MAX @1 TO 65MHz
 1.0dB MAX @80MHz
 1.2dB MAX @125MHz

RETURN LOSS

UNDER 100 OHM
 ±15% ENVIRONMENT

18dB MIN @0.5 TO 40 MHz
 12-20LOG(F/80MHz) dB MIN
 @40 TO 100 MHz

COMMON TO COMMON REJECTION

30dB MIN @0.1 TO 100 MHz

CROSSTALK

@1 TO 100 MHz
 33-20LOG(F/100 MHz) dB MIN

HIPOT

LEAKAGE CURRENT LESS THAN 1mA AT 1500VAC

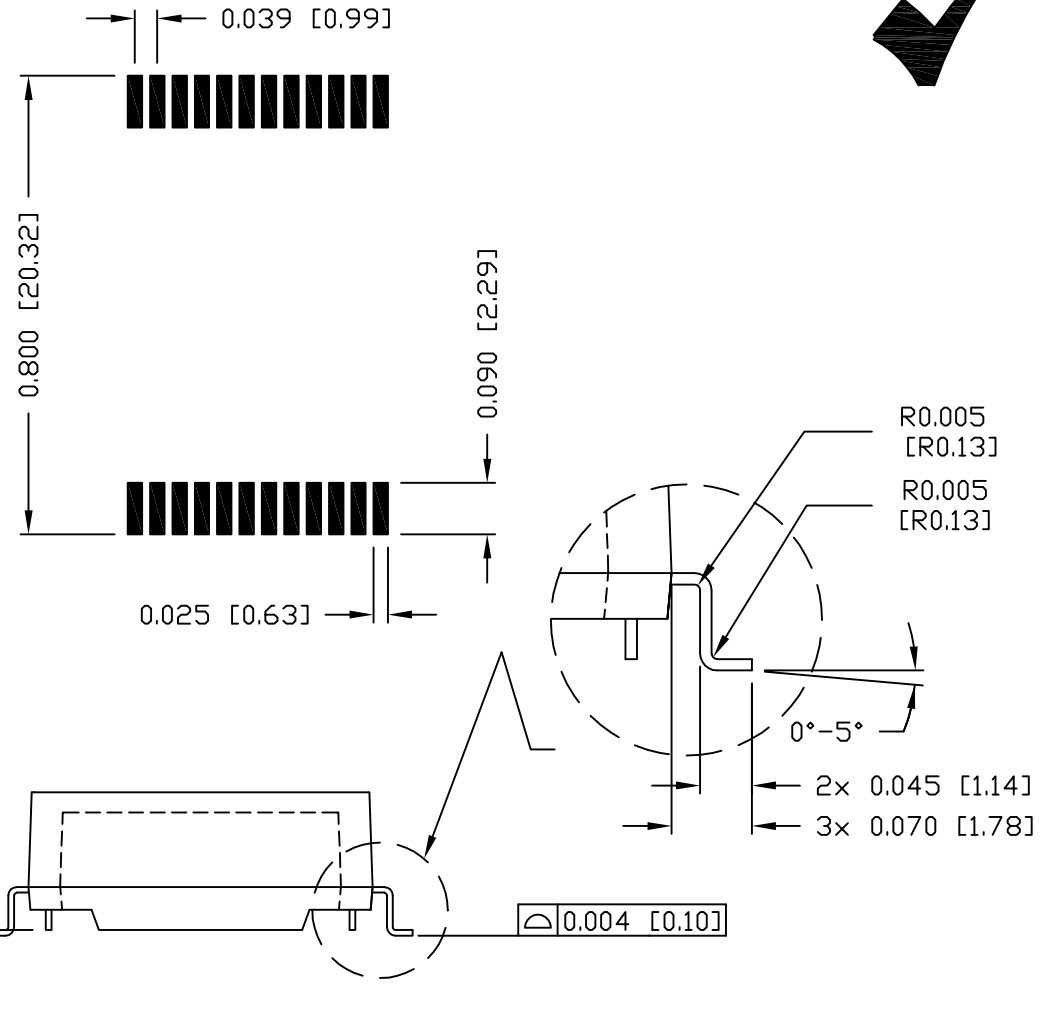
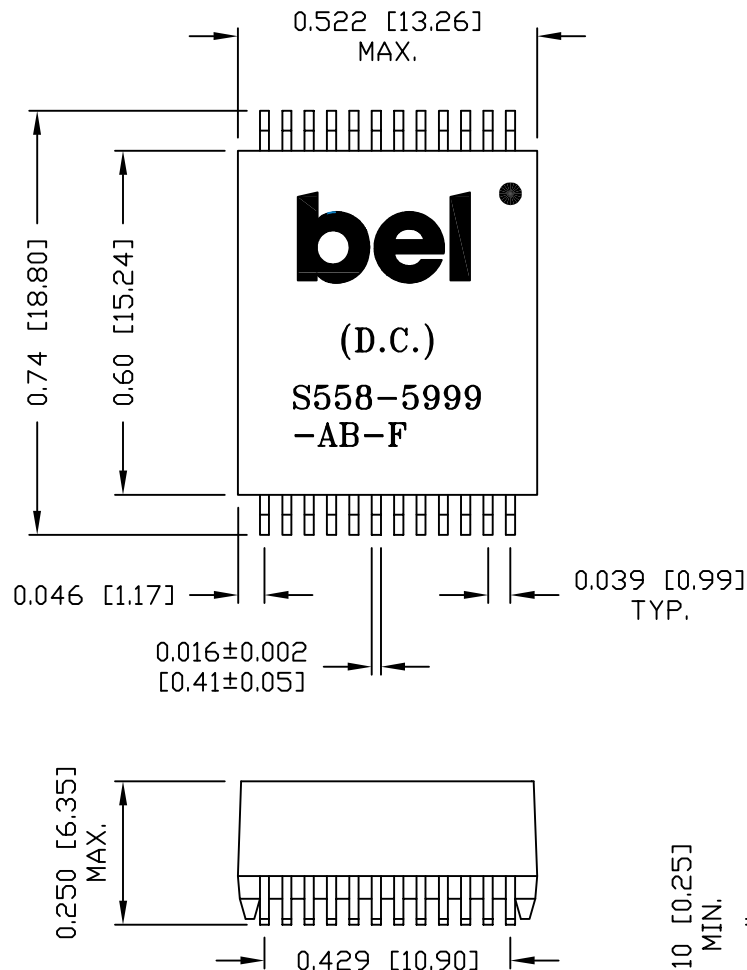
OPERATION TEMPERATURE: -40°C TO 85°C

REV. : A	PAGE : 2	
		STANDARD DIM. [] METRIC DIM. AS REF.
		TOL. IN INCH
.X	UNIT : INCH [mm]	
.XX	SCALE : N/A	
.XXX	SIZE : A4	

ORIGINATED BY	DATE	TITLE	PART NO. / DRAWING NO.	STANDARD DIM.	[] METRIC DIM. AS REF.
Alice Pang	2021-01-27	GIGABIT ETHERNET MAGNETICS	S558-5999-AB-F	TOL. IN INCH	UNIT : INCH [mm]
DRAWN BY	DATE		FILE NAME	.X	SCALE : N/A
ZC Guo	2021-01-27		S5585999ABFA.DWG	.XX	SIZE : A4
				.XXX	

THE INFORMATION CONTAINED HEREIN IS CONSIDERED "PROPRIETARY" TO BEL FUSE INC. AND SHALL NOT BE COPIED, REPRODUCED OR DISCLOSED WITHOUT THE WRITTEN APPROVAL OF BEL FUSE INC.

SUGGESTED PCB PAD LAYOUT



NOTES:

- STANDARD MARKING REFER TO DOC. HAND-WORK-04.
- PACKAGE CODE: "QTS001".

ORIGINATED BY		DATE	TITLE MECHANICAL DRAWING S558-5999-AB-F	PART NO. / DRAWING NO.		STANDARD DIM.		[] METRIC DIM. AS REF.		REV. : A	PAGE : 3
Lawrence Tsang		2021-01-27		S558-5999-AB-F		TOL. IN INCH		UNIT : INCH [mm]			
DRAWN BY		DATE		FILE NAME		.X		SCALE : N/A			
ZC Guo		2021-01-27	S5585999ABFA.DWG		.XX ±0.01		SIZE : A4				
					.XXX ±0.005						

