

THE INFORMATION CONTAINED HEREIN IS CONSIDERED "PROPRIETARY" TO BEL FUSE INC. AND SHALL NOT BE COPIED, REPRODUCED OR DISCLOSED WITHOUT THE WRITTEN APPROVAL OF BEL FUSE INC.

ELECTRICAL CHARACTERISTICS @25°C



URNS RATIO

$T_x = R_x$

1CT : 1CT

POLARITY

PER DOT CONVENTION

DCL

350μH MIN @100kHz, 100mV  
WITH 8mA DC BIAS

OPERATING TEMPERATURE

-40°C TO +85°C

INSERTION LOSS

1.0dB MAX @1MHz TO 80MHz

RETURN LOSS

MEASURED UNDER  
100Ω ENVIRONMENT

18dB MIN @100kHz TO 30MHz  
18-20LOG(f/30MHz) dB MIN @30MHz TO 60MHz  
12dB MIN @60MHz TO 80MHz

COMMON TO DIFFERENTIAL  
MODE REJECTION

40dB MIN @100kHz TO 100MHz

COMMON TO COMMON  
MODE REJECTION

35dB MIN @100kHz TO 100MHz  
20dB MIN @100MHz TO 500MHz

CROSSTALK

32dB MIN @100kHz TO 100MHz

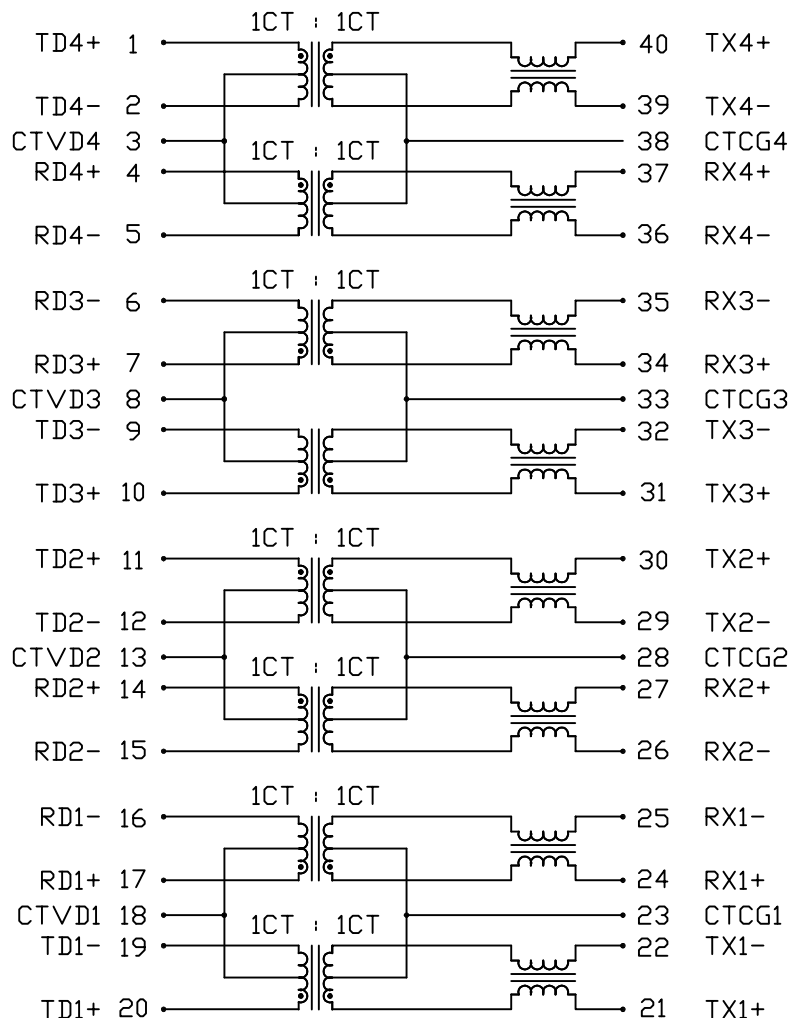
HIPOT

LEAKAGE CURRENT LESS THAN 1mA AT 1500VAC

NOTES :

THIS PRODUCT HAS BEEN SUPPLYING TO JAPAN CUSTOMERS. PCN PROCESS NEEDS TO COMPLY WITH 4M CRITERIA.

SCHEMATIC



ORIGINATED BY	DATE
Alice Pang	2021-01-26
DRAWN BY	DATE
ZC Guo	2021-01-26

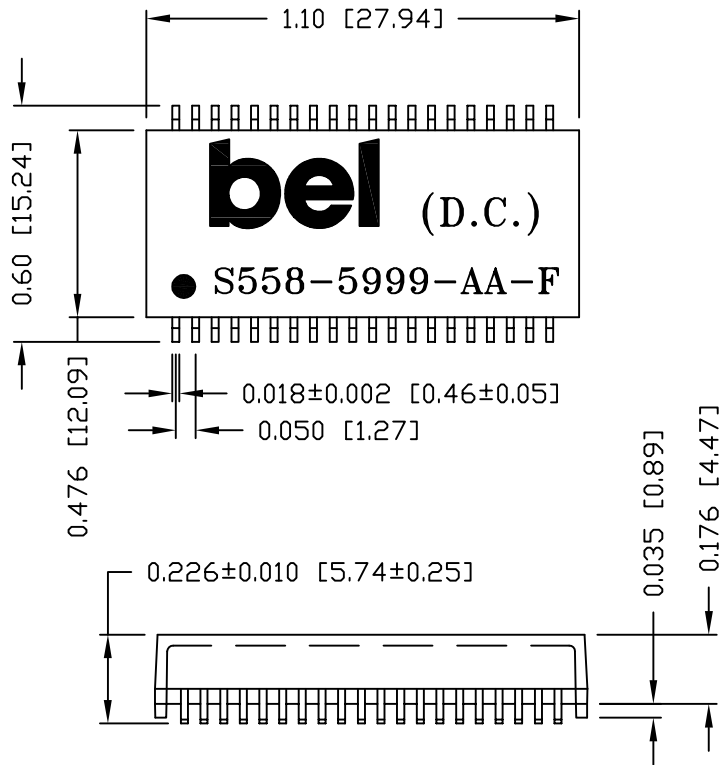
TITLE
ELECTRICAL SPECIFICATION
S558-5999-AA-F

PART NO. / DRAWING NO.
S558-5999-AA-F
FILE NAME
S5585999AFA.DWG

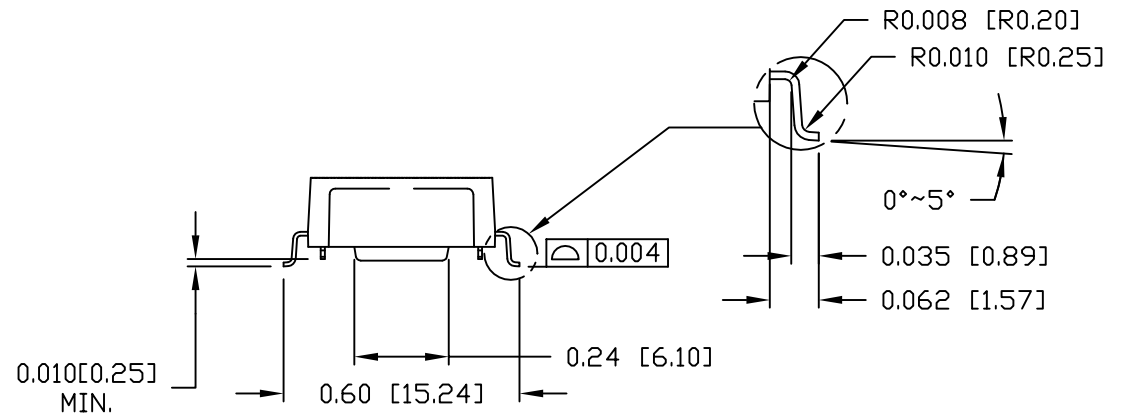
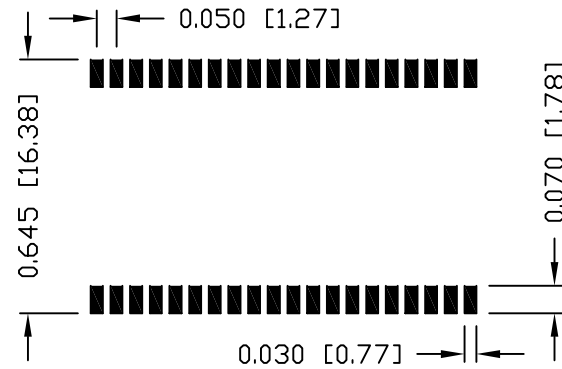
STANDARD DIM.	[ ] METRIC DIM. AS REF.
TOL. IN INCH	UNIT : INCH [mm]
.X	SCALE : N/A
.XX	SIZE : A4
.XXX	

REV. : A	PAGE : 2

THE INFORMATION CONTAINED HEREIN IS CONSIDERED "PROPRIETARY" TO BEL FUSE INC. AND SHALL NOT BE COPIED, REPRODUCED OR DISCLOSED WITHOUT THE WRITTEN APPROVAL OF BEL FUSE INC.



SUGGESTED PCB PAD LAYOUT



NOTES :

1. STANDARD MARKING REFER TO DOC. HAND-WORK-04.
2. PACKAGE CODE: "RRS001".
3. THIS PRODUCT HAS BEEN SUPPLYING TO JAPAN CUSTOMERS. PCN PROCESS NEEDS TO COMPLY WITH 4M CRITERIA.

REV. : A PAGE : 3

ORIGINATED BY Lawrence Tsang	DATE 2021-01-26	TITLE MECHANICAL DRAWING S558-5999-AA-F	PART NO. / DRAWING NO. S558-5999-AA-F	STANDARD DIM. TOL. IN INCH	[ ] METRIC DIM. AS REF.
DRAWN BY ZC Guo	DATE 2021-01-26		FILE NAME S5585999AAFA.DWG	.X .XX ±0.01 .XXX ±0.005	UNIT : INCH [mm] SCALE : N/A SIZE : A4

