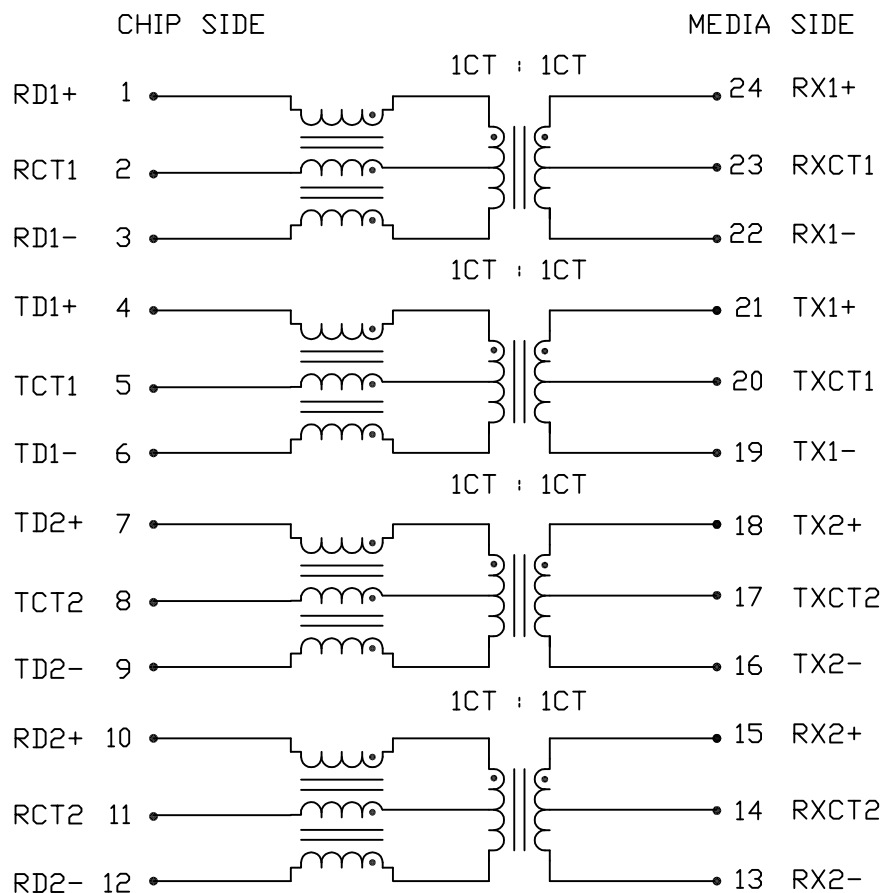


THE INFORMATION CONTAINED HEREIN IS CONSIDERED
 "PROPRIETARY" TO BEL FUSE INC. AND SHALL NOT BE
 COPIED, REPRODUCED OR DISCLOSED WITHOUT THE
 WRITTEN APPROVAL OF BEL FUSE INC.

ELECTRICAL CHARACTERISTICS (@25°C)



SCHEMATIC



TURNS RATIO
 CHIP SIDE : MEDIA SIDE

1CT : 1CT

POLARITY

PER DOT CONVENTION

□CL

MEDIA SIDE

350μH MIN
 @100kHz, 100mVrms
 WITH 8mA DC BIAS

INSERTION LOSS

300kHz
 1MHz TO 100MHz
 125MHz

1.2dB MAX
 1.0dB MAX
 3.0dB MAX

RETURN LOSS

1MHz TO 30MHz
 30MHz TO 80MHz
 100MHz

18dB MIN
 12-20LOG(F/80MHz) dB MIN
 10dB MIN

CROSSTALK

1MHz
 10MHz TO 100MHz

55dB MIN
 55-24LOG(F/10MHz) dB MIN

DM TO CM REJECTION

2MHz
 30MHz TO 200MHz

60dB MIN
 40-22LOG(F/30MHz) dB MIN

HIPOT : LEAKAGE CURRENT LESS THAN 1mA AT 1500Vrms .

DESIGNED FOR 10/100/1000BT PoE APPLICATIONS, REQUIRING OPERATION
 FROM -40 TO 85C, WITH 350mA CURRENT CARRYING CAPACITY.

ORIGINATED BY	DATE
Alice Pang	2021-01-26
DRAWN BY	DATE
ZC Guo	2021-01-26

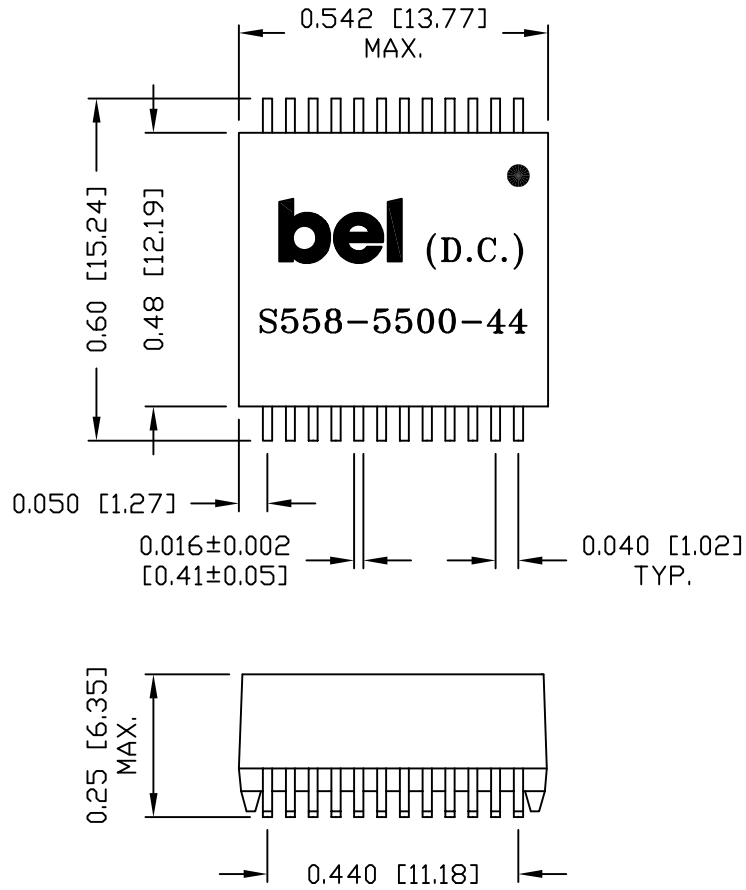
TITLE
ELECTRICAL SPECIFICATION
S558-5500-44

PART NO. / DRAWING NO.
S558-5500-44
FILE NAME
S558550044A.DWG

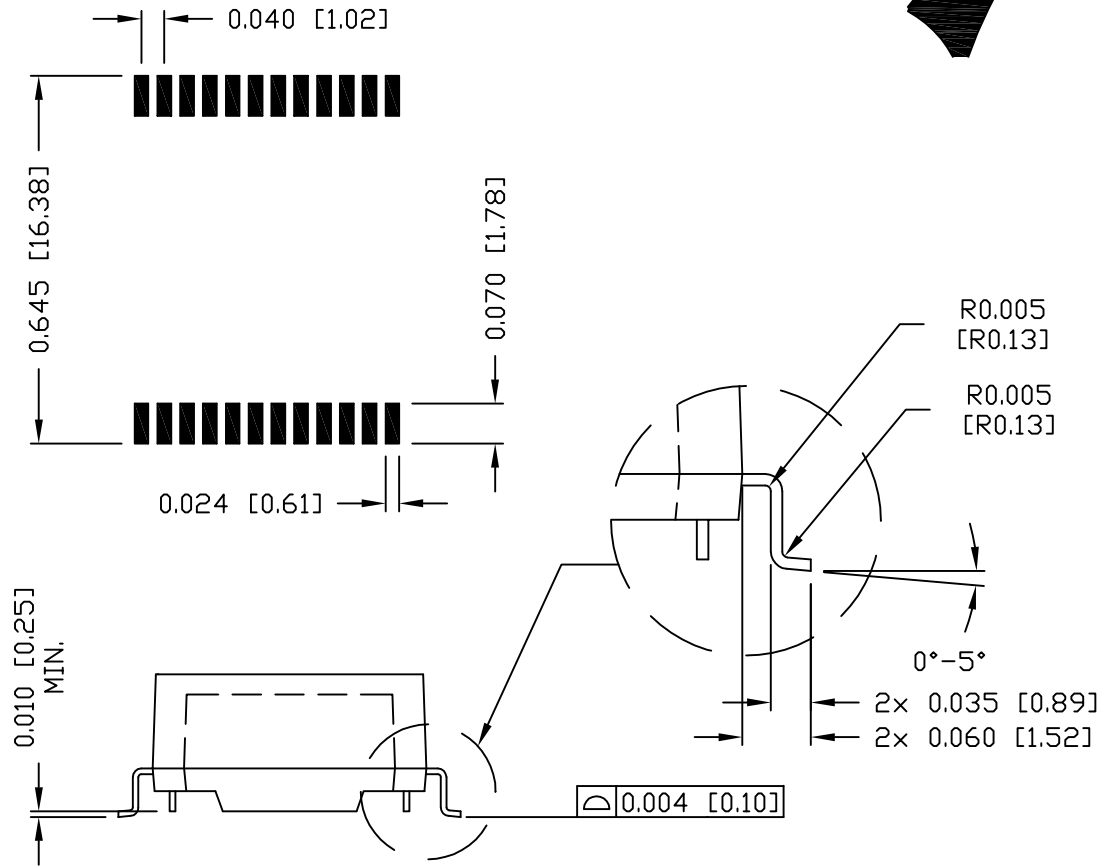
STANDARD DIM.	[] METRIC DIM. AS REF.
TOL. IN INCH	UNIT : INCH [mm]
.X	SCALE : N/A
.XX	SIZE : A4
.XXX	

REV. : A	PAGE : 2
----------	----------

THE INFORMATION CONTAINED HEREIN IS CONSIDERED "PROPRIETARY" TO BEL FUSE INC. AND SHALL NOT BE COPIED, REPRODUCED OR DISCLOSED WITHOUT THE WRITTEN APPROVAL OF BEL FUSE INC.



SUGGESTED PCB PAD LAYOUT



NOTES:

- STANDARD MARKING REFER TO DDC. HAND-WORK-04.
- PACKAGE CODE: "QSS001".

ORIGINATED BY	DATE	TITLE MECHANICAL OUTLINE S558-5500-44	PART NO. / DRAWING NO.	STANDARD DIM.		[] METRIC DIM. AS REF.	REV. : A	PAGE : 3
Lawrence Tsang	2021-01-26		S558-5500-44	TOL. IN INCH	UNIT : INCH [mm]			
DRAWN BY	DATE		FILE NAME	.X	SCALE : N/A			
ZC Guo	2021-01-26	S558550044A.DWG	.XX	±0.01	SIZE : A4			
			.XXX	±0.005				

