

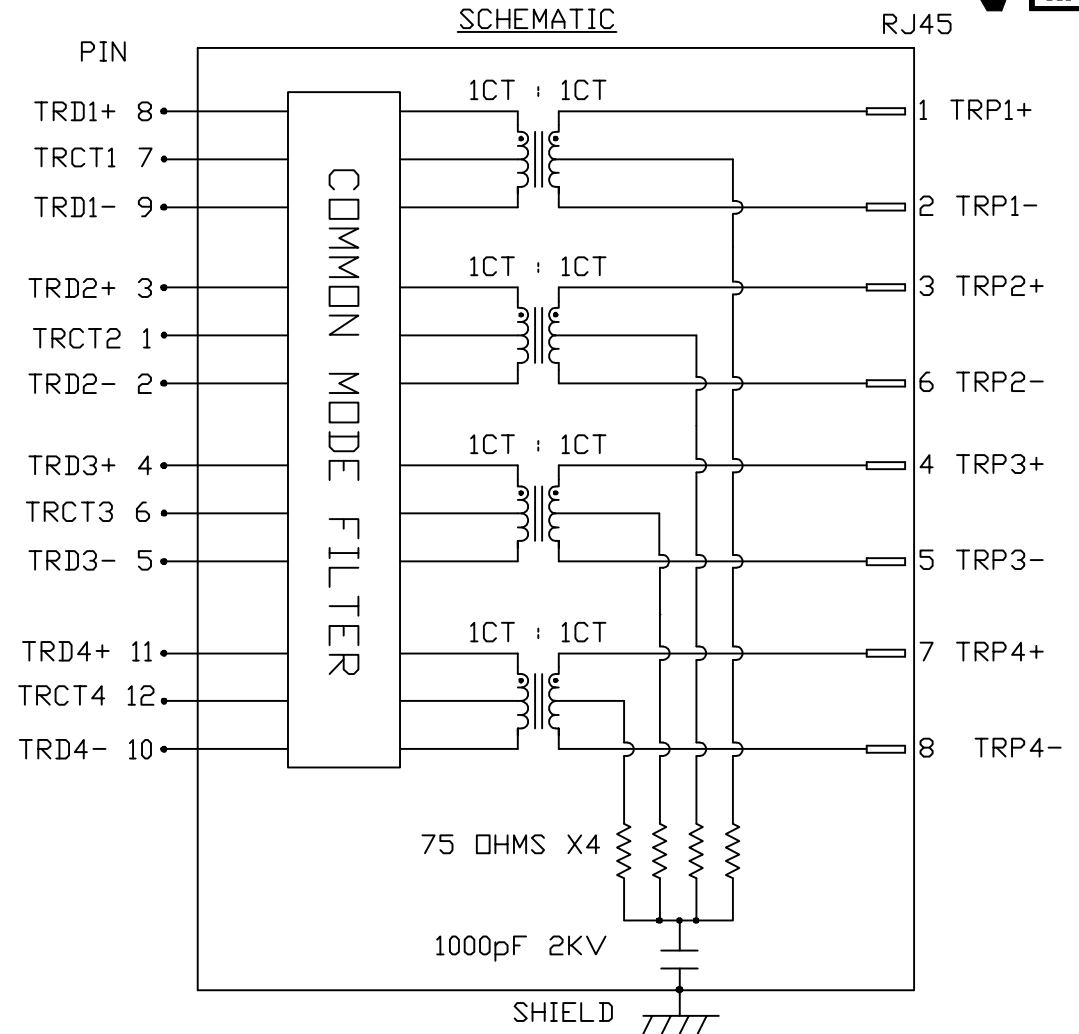


THE INFORMATION CONTAINED HEREIN IS CONSIDERED "PROPRIETARY" TO BEL FUSE INC. AND SHALL NOT BE COPIED, REPRODUCED OR DISCLOSED WITHOUT THE WRITTEN APPROVAL OF BEL FUSE INC.



ELECTRICAL CHARACTERISTICS @ 25°C

TURNS RATIO	
TP1	1CT : 1CT
TP2	1CT : 1CT
TP3	1CT : 1CT
TP4	1CT : 1CT
INS. LOSS (MAX)	
1MHz TO 20MHz	-0.8 dB
50MHz	-1.0 dB
200MHz	-1.2 dB
400MHz	-2.0 dB
500MHz	-3.0 dB
RET. LOSS (MIN)	
1MHz - 40MHz	-16 dB
40MHz - 400 MHz	-16+10LOG (F/40) dB
400MHz - 500 MHz	-6+30LOG (F/400) dB
CM TO CM REJ	
1MHz - 500MHz	-30 dB MIN
CM TO DM REJ	
1MHz - 500MHz	-30 dB MIN
HIPOT (Isolation Voltage): 2250VDC	
100% OF PRODUCTION TESTED TO COMPLY WITH IEEE 802.3 ISOLATION REQUIREMENTS.	
OPERATING TEMPERATURE: 0°C TO +85°C	



ORIGINATED BY  
BILL LIU  
DATE 2024-08-22

DRAWN BY  
PEILONG ZOU  
DATE 2024-08-22

TITLE  
1X2 10 Gigabit MagJack®  
(ULTRA LOW PROFILE)  
PATENTED

PART NO. / DRAWING NO.  
G54-2NNC-143H

FILE NAME  
G54-2NNC-143H\_1.DWG

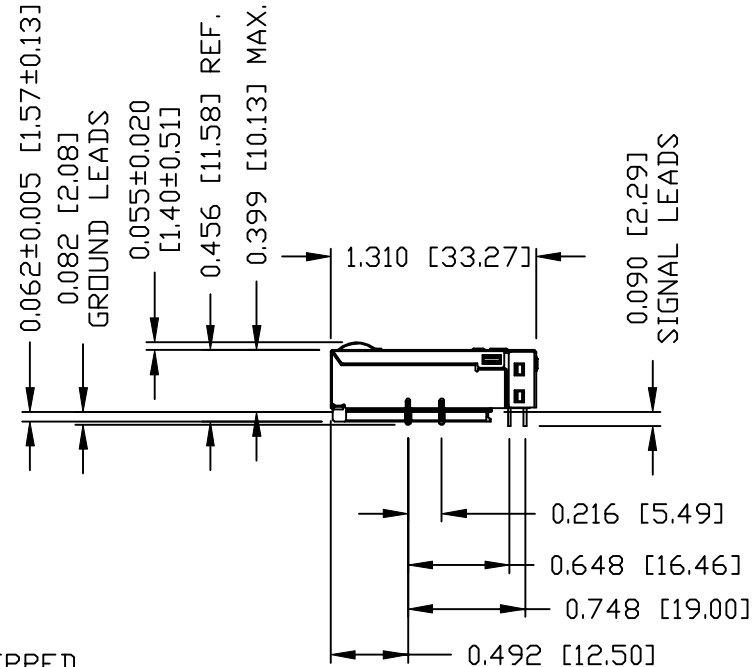
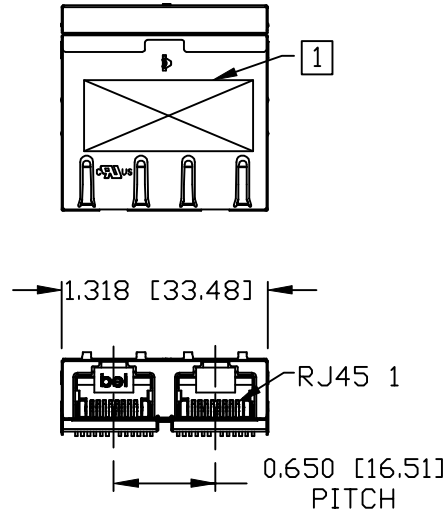
STANDARD DIM. TOL. IN INCH	[ ] METRIC DIM. AS REF.
.X	UNIT : INCH [mm]
.XX	SCALE : N/A
.XXX	SIZE : A4

REV. : 1      PAGE : 2

a bel group

THE INFORMATION CONTAINED HEREIN IS CONSIDERED "PROPRIETARY" TO BEL FUSE INC. AND SHALL NOT BE COPIED, REPRODUCED OR DISCLOSED WITHOUT THE WRITTEN APPROVAL OF BEL FUSE INC.

MECHANICAL SPECIFICATION



**NOTES:**  
 PLASTIC HOUSING: THERMOPLASTIC PA, BLACK  
 FLAMMABILITY RATING UL 94V-0  
 CONTACTS: 50 MICRO-INCH HARD GOLD PLATING OR EQUIVALENT.  
 OUTPUT PINS: TIN-COATED COPPER WIRE, DIA 0.018 INCH.  
 100 MICRO-INCH MIN MATTE TIN. PINS ARE SOLDER DIPPED.  
 METAL SHIELD: STAINLESS STEEL  
 (ALL GROUND LEADS ARE SOLDER DIPPED)

1. MARK PART WITH PART NUMBER, DATE CODE AND "PATENTED" MARKING. THE PRODUCT IS PATENTED. THE PATENT NUMBER ARE U.S. PAT. 7,123,117 & U.S. PAT. 6,840,817 & U.S. PAT. 7,429,195 AND U.S. PAT. 7,924,130.  
 2. THE PRODUCT IS RoHS COMPLIANT WITH HALOGEN FREE.

3. JACK CAVITY CONFORMS TO FCC RULES AND REGULATIONS, PART 68 SUBPART F.  
 4. THE PART IS RECOMMENDED FOR WAVE SOLDERING. THE SUGGESTED PEAK WAVE SOLDERING CONDITION IS 260°C MAX. AND 10 SECONDS MAX..

**UL** US UL RECOGNIZED - FILE #E169987.

ORIGINATED BY TONY YUAN DATE 2024-08-22		TITLE 1X2 10 Gigabit MagJack® (ULTRA LOW PROFILE) PATENTED		PART NO. / DRAWING NO. G54-2NNC-143H		STANDARD DIM. TOL. IN INCH		[ ] METRIC DIM. AS REF.		REV. : 1	PAGE : 3
DRAWN BY TOWER YU DATE 2024-08-22				FILE NAME G54-2NNC-143H_1.DWG		.X		UNIT : INCH [mm]			
						.XX		SCALE : N/A			
						.XXX ±0.010		SIZE : A4			

THE INFORMATION CONTAINED HEREIN IS CONSIDERED "PROPRIETARY" TO BEL FUSE INC. AND SHALL NOT BE COPIED, REPRODUCED OR DISCLOSED WITHOUT THE WRITTEN APPROVAL OF BEL FUSE INC.

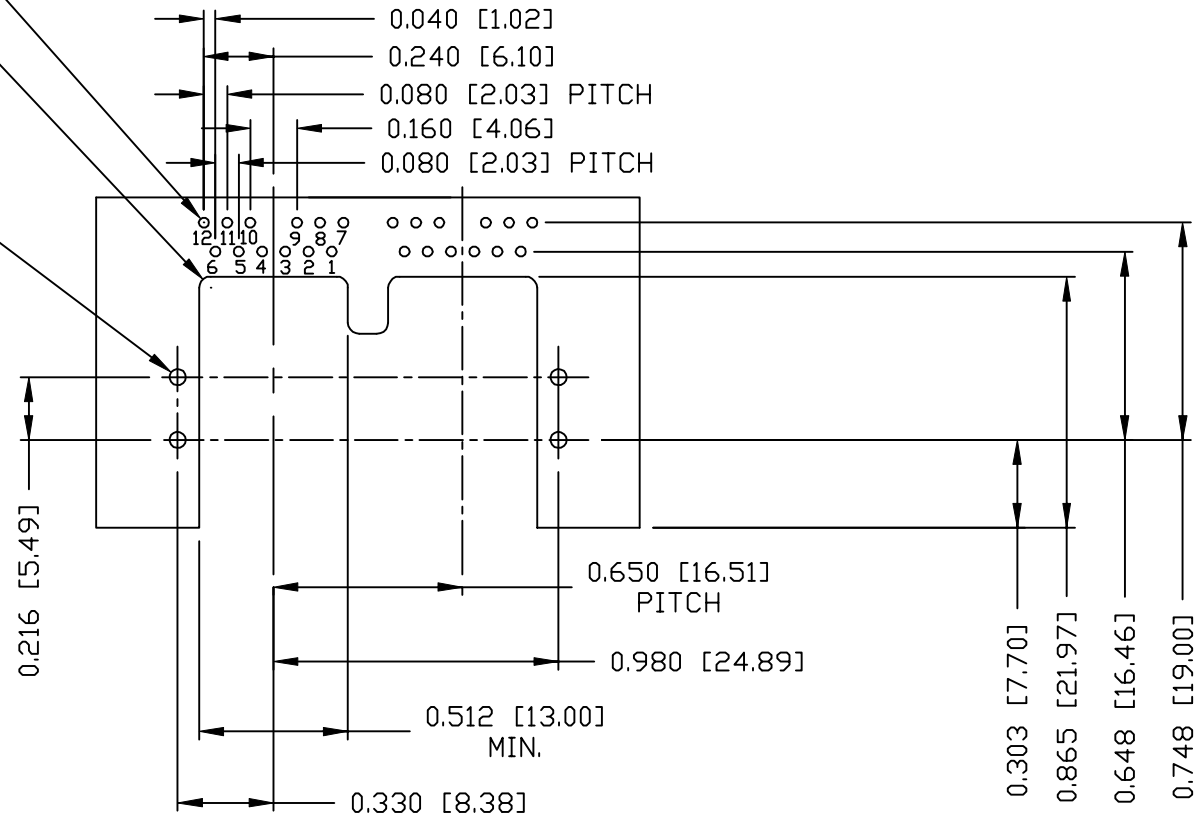


RECOMMENDED PCB FOOTPRINT  
COMPONENT SIDE VIEW

24X $\phi$ 0.035<sup>+0.005</sup>/<sub>-0.000</sub> [  $\phi$ 0.89<sup>+0.13</sup>/<sub>-0.00</sub> ]

6XR0.039 [R0.99]

4X $\phi$ 0.055 [  $\phi$ 1.40 ]



ORIGINATED BY  
TONY YUAN  
DATE 2024-08-22

DRAWN BY  
TOWER YU  
DATE 2024-08-22

TITLE  
1X2 10 Gigabit MagJack®  
(ULTRA LOW PROFILE)  
PATENTED

PART NO. / DRAWING NO.  
G54-2NNC-143H

FILE NAME  
G54-2NNC-143H\_1.DWG

STANDARD DIM. TOL. IN INCH	[ ] METRIC DIM. AS REF.
.X	UNIT : INCH [mm]
.XX	SCALE : N/A
.XXX ±0.004	SIZE : A4

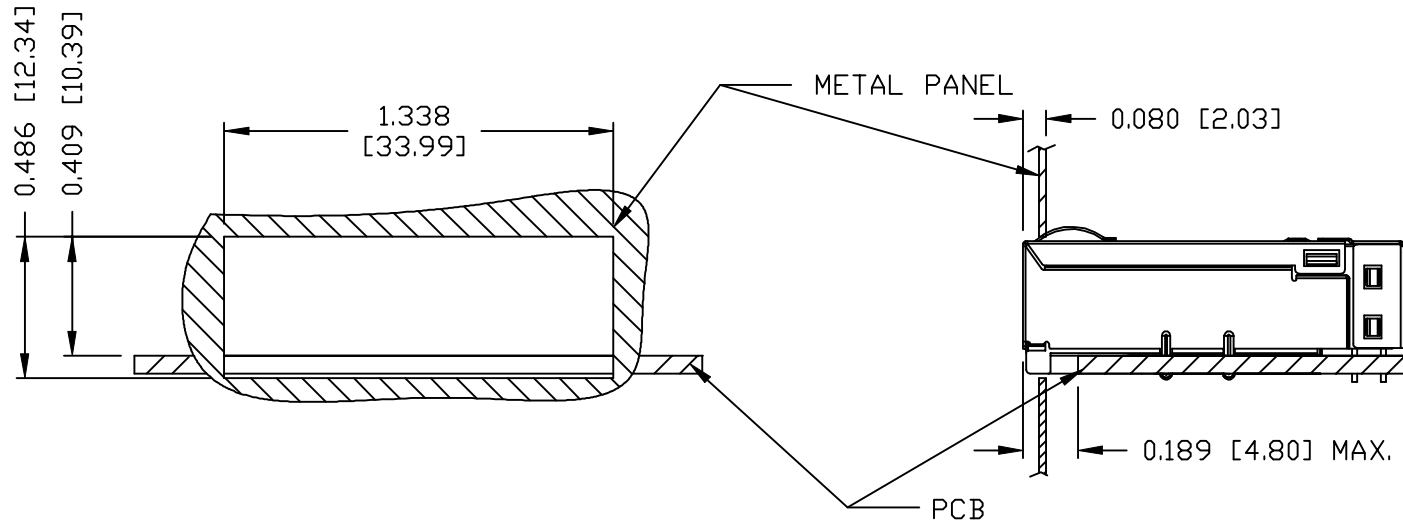
REV. : 1 PAGE : 4



THE INFORMATION CONTAINED HEREIN IS CONSIDERED "PROPRIETARY" TO BEL FUSE INC. AND SHALL NOT BE COPIED, REPRODUCED OR DISCLOSED WITHOUT THE WRITTEN APPROVAL OF BEL FUSE INC.



SUGGESTED PANEL OPENING



NOTES:

THE DISTANCE OF PANEL INSIDE SURFACE RELATIVE TO FRONT SURFACE OF PART IS ONLY A SUGGESTION. IN CASE THIS DISTANCE IS DIFFERENT, THE REQUIRED PANEL OPENING DIMENSIONS CHANGE ACCORDINGLY.

PACKING INFORMATION

PACKING TRAY : 0200M9999-S9 (TOP)

0200M9999-S8 (BOTTOM)

PACKING QUANTITY : 24 PCS FINISHED GOODS PER TRAY

11 TRAYS (264 PCS FINISHED GOODS) PER CARTON BOX

REMARK: CARDBOARDS ARE PLACED BETWEEN LAYERS OF PACKING TRAY INSIDE CARTON BOX (INCLUDE THE UPPERMOST AND LOWERMOST TRAY)

REV. :	1	PAGE :	5
--------	---	--------	---

ORIGINATED BY TONY YUAN DATE 2024-08-22	TITLE 1X2 10 Gigabit MagJack® (ULTRA LOW PROFILE) PATENTED	PART NO. / DRAWING NO. G54-2NNC-143H	STANDARD DIM.		[ ] METRIC DIM.
			TOL. IN INCH		AS REF.
			.X		UNIT : INCH [mm]
			.XX		SCALE : N/A
DRAWN BY TOWER YU DATE 2024-08-22		FILE NAME G54-2NNC-143H_1.DWG	.XXX	±0.005	⊕ □ SIZE : A4

