

bel

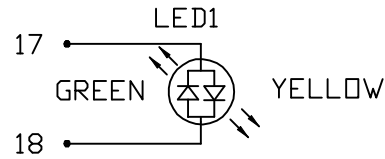
POWER | PROTECT | CONNECT

DOCUMENT / PART NO.: G27-122T-162A

TITLE : PRODUCT SPECIFICATION

ISSUE	DESCRIPTION OF CHANGE					REVIEWED BY	APPROVED BY	ECN#
1	PRELIMINARY					TONY YUAN		
PAGE	1	2	3	4	5			
REV.	1	1	1	1	1			
PAGE								
REV.								

THE INFORMATION CONTAINED HEREIN IS CONSIDERED "PROPRIETARY" TO BEL FUSE INC. AND SHALL NOT BE COPIED, REPRODUCED OR DISCLOSED WITHOUT THE WRITTEN APPROVAL OF BEL FUSE INC.



LED1 POLARITY			LED2 POLARITY		
PIN 17	PIN 18	COLOR	PIN 19	PIN 20	COLOR
+	-	YELLOW	+	-	YELLOW
-	+	GREEN	-	+	GREEN

ELECTRICAL CHARACTERISTICS @ 25°C

URNS RATIO

TP1	1CT : 1CT
TP2	1CT : 1CT
TP3	1CT : 1CT
TP4	1CT : 1CT

INS. LOSS (MAX)

1MHz TO 20MHz	-0.8 dB
50MHz	-1.0 dB
200MHz	-1.2 dB
400MHz	-2.0 dB
500MHz	-3.0 dB

RET. LOSS (MIN)

1MHz - 40MHz	-16 dB
40MHz - 400 MHz	-16+10LOG (F/40) dB
400MHz - 500 MHz	-6+30LOG (F/400) dB

CM TO DM REJ

1MHz - 500MHz	-30 dB MIN
---------------	------------

HIPOT (Isolation Voltage):

2250VDC

100% OF PRODUCTION TESTED TO COMPLY WITH IEEE 802.3 ISOLATION REQUIREMENTS.

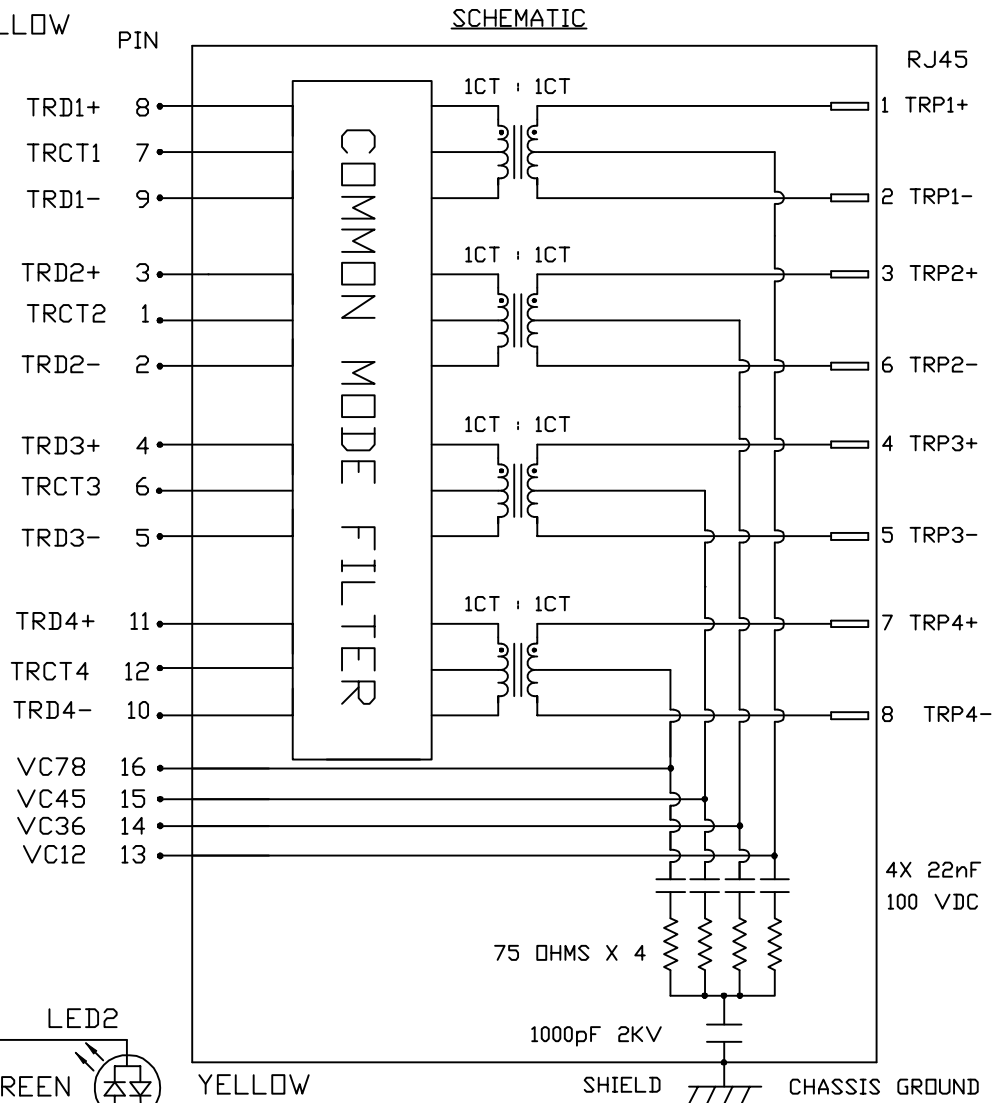
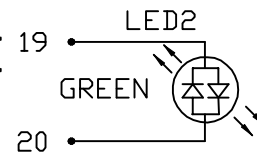
BALANCED DC LINE CURRENT 1A MAX. CONTINUOUS.

1.2A MAX. FOR 200 MILLISECONDS.

LED1 AND LED2

V _F (FORWARD VOLTAGE)	IF=20mA	GREEN	2.2V TYP.
λ _D (DOMINANT WAVELENGTH)	IF=20mA	YELLOW	2.1V TYP.
		GREEN	570nm TYP.
		YELLOW	590nm TYP.

OPERATING TEMPERATURE: -40°C TO +85°C.



ORIGINATED BY
BILL LIU
DATE 2024-07-18
DRAWN BY
PEILONG ZOU
DATE 2024-07-18

TITLE
10 gigabit MagJack®
4PPoE 100W
PATENTED

PART NO. / DRAWING NO.
G27-122T-162A
FILE NAME
G27-122T-162A_1.DWG

STANDARD DIM.
TOL. IN INCH
[] METRIC DIM.
AS REF.
UNIT : INCH [mm]
SCALE : N/A
SIZE : A4

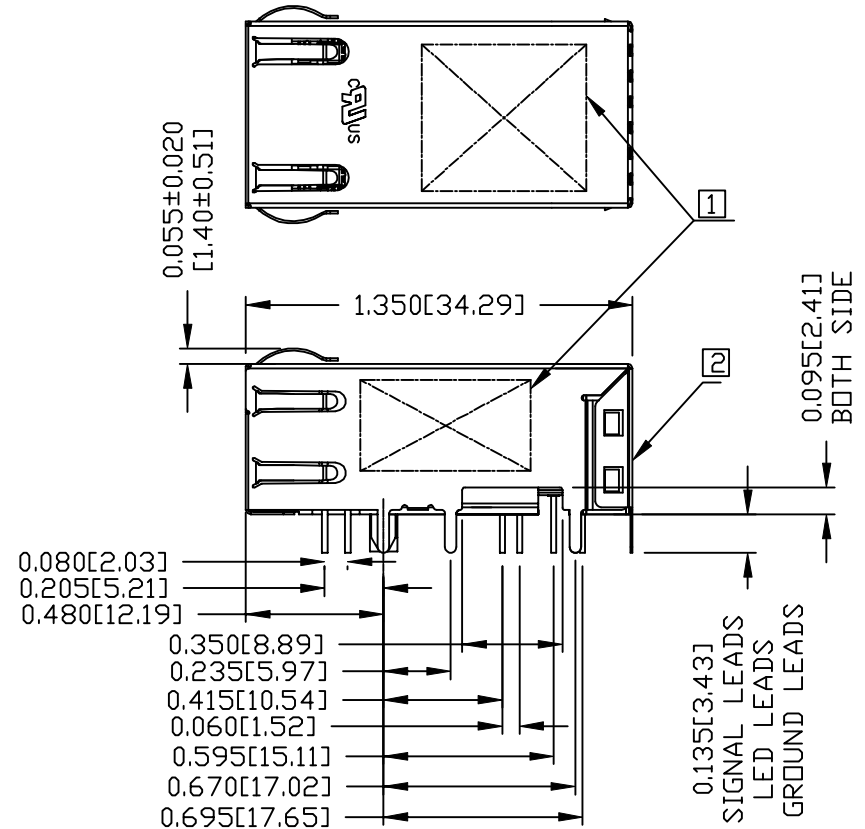
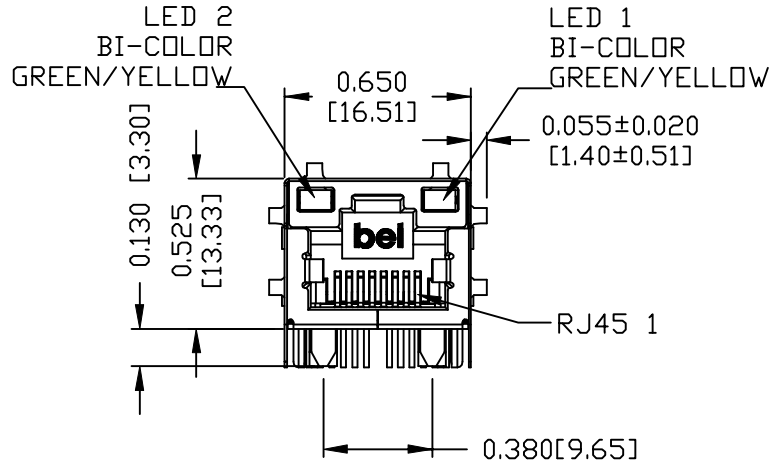
REV. : 1 PAGE : 2



THE INFORMATION CONTAINED HEREIN IS CONSIDERED "PROPRIETARY" TO BEL FUSE INC. AND SHALL NOT BE COPIED, REPRODUCED OR DISCLOSED WITHOUT THE WRITTEN APPROVAL OF BEL FUSE INC.

MECHANICAL SPECIFICATION

RoHS



NOTES:

PLASTIC HOUSING: THERMOPLASTIC PA, BLACK
FLAMMABILITY RATING UL 94V-0

CONTACTS: 50 MICRO-INCH HARD GOLD PLATING OR EQUIVALENT

OUTPUT PINS: LEAD FREE COPPER WIRES, DIA 0.018 INCH.

METAL SHIELD: NICKEL PLATED ON COPPER ALLOY.
(ALL GROUND LEADS ARE SOLDER DIPPED)

CS USUL RECOGNIZED - FILE #E169987.

1. MARK PART WITH MFG. LOGO, MFG. NAME, PART NUMBER AND DATE CODE.
2. MARKING "PATENTED" IN BACK VIEW.
3. THE PRODUCT IS RoHS COMPLIANT.
4. JACK CAVITY CONFORMS TO FCC RULES AND REGULATIONS.
5. THE PRODUCT IS PATENTED. THE PATENT NUMBER ARE U.S. PAT. 7,924,130 AND U.S. PAT. 7,429,195 AND U.S. PAT. 6,840,817 AND U.S. PAT. 7,123,117.
6. THE AXIAL RETENTION FORCE OF RJ PORT IS 15LBS MIN.
7. THE PART IS COMPLIANT WITH WAVE SOLDERING, THE SUGGESTED PEAK WAVE SOLDERING CONDITION IS 260°C MAX. AND 10 SECONDS MAX..

ORIGINATED BY
TONY YUAN
DATE 2024-07-18

DRAWN BY
TOWER YU
DATE 2024-07-18

TITLE
10 gigabit MagJack®
4PPoE 100W
PATENTED

PART NO. / DRAWING NO.
G27-122T-162A

FILE NAME
G27-122T-162A_1.DWG

STANDARD DIM. TOL. IN INCH	[] METRIC DIM. AS REF.
.X	UNIT : INCH [mm]
.XX	SCALE : N/A
.XXX ±0.010	SIZE : A4

REV. : 1 PAGE : 3



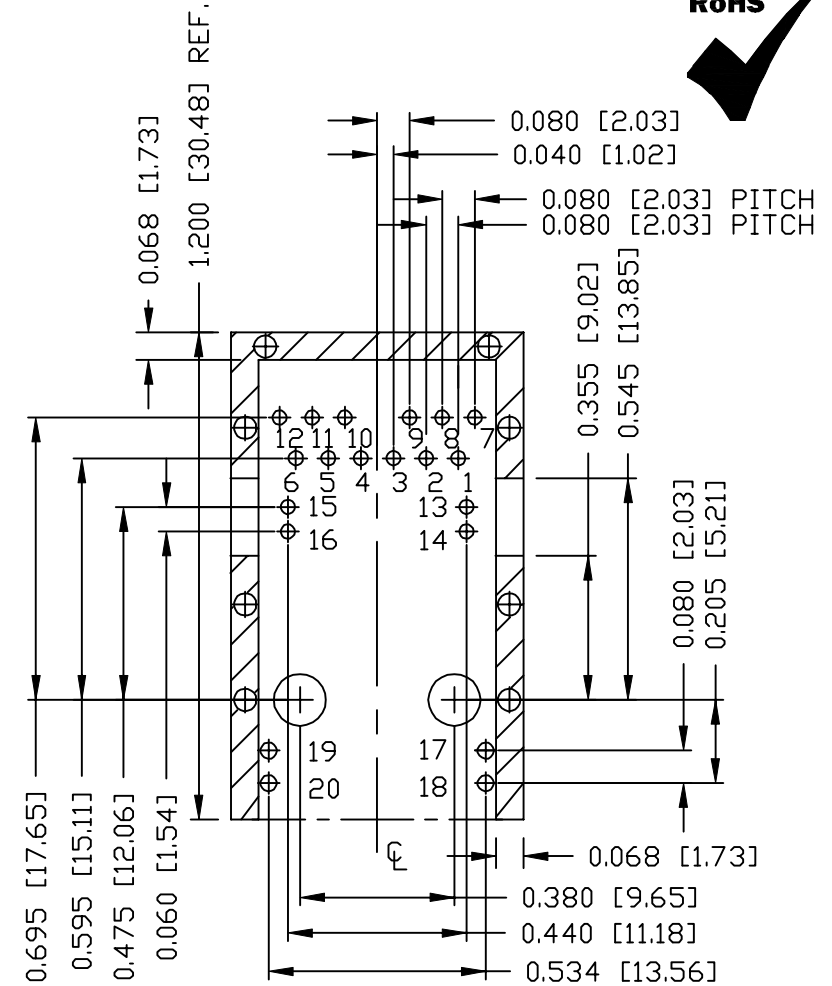
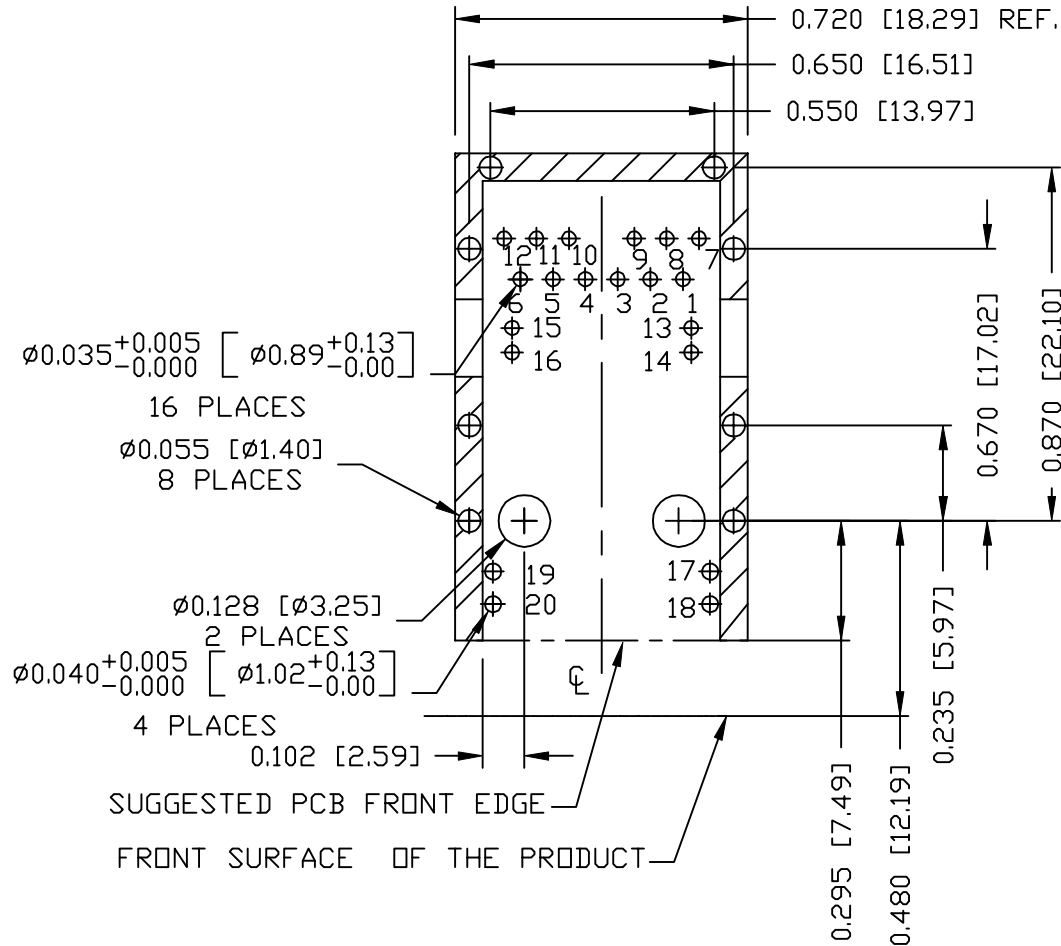
THE INFORMATION CONTAINED HEREIN IS CONSIDERED "PROPRIETARY" TO BEL FUSE INC. AND SHALL NOT BE COPIED, REPRODUCED OR DISCLOSED WITHOUT THE WRITTEN APPROVAL OF BEL FUSE INC.

RECOMMENDED PCB FOOTPRINT

RoHS



COMPONENT SIDE VIEW



NOTES:

THE SHADED AREA ON THE CUSTOMER BOARD ARE RECOMMENDED TO BE CLEAR OFF ANY VIA HOLE OR COMPONENT PAD.

ORIGINATED BY
TONY YUAN
DATE 2024-07-18
DRAWN BY
TOWER YU
DATE 2024-07-18

TITLE
10 gigabit MagJack®
4PPoE 100W
PATENTED

PART NO. / DRAWING NO.
G27-122T-162A
FILE NAME
G27-122T-162A_1.DWG

STANDARD DIM. TOL. IN INCH		[] METRIC DIM. AS REF.
.X		UNIT : INCH [mm]
.XX		SCALE : N/A
.XXX	±0.004	SIZE : A4

REV. : 1 PAGE : 4

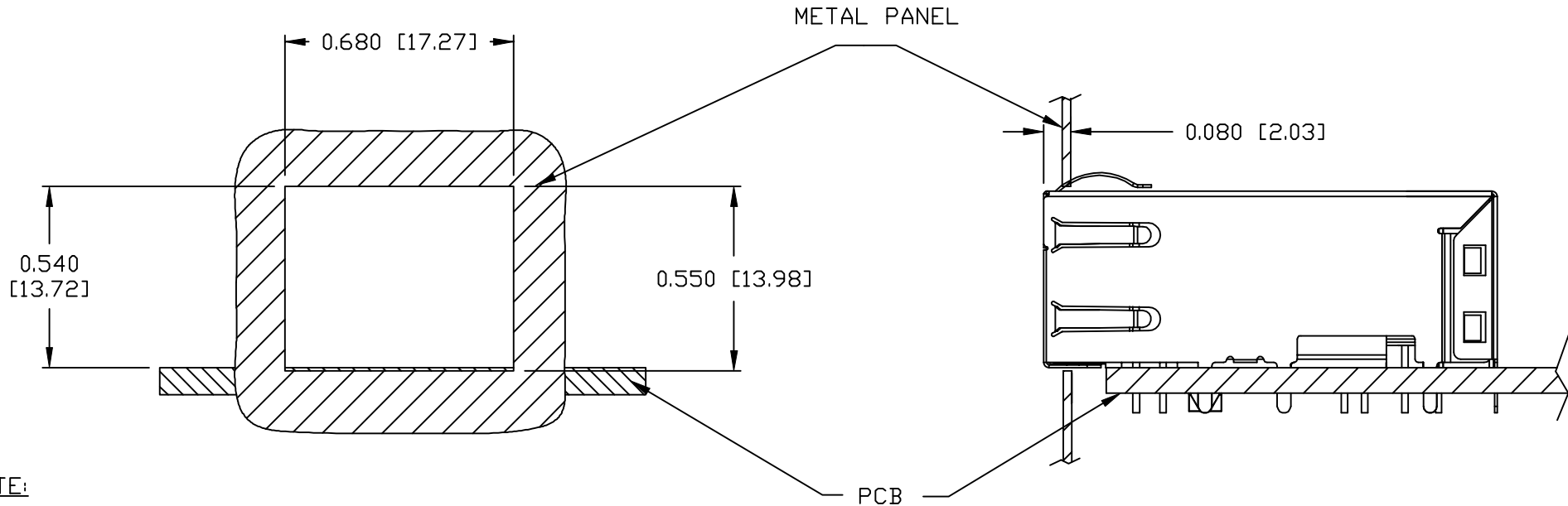


THE INFORMATION CONTAINED HEREIN IS CONSIDERED "PROPRIETARY" TO BEL FUSE INC. AND SHALL NOT BE COPIED, REPRODUCED OR DISCLOSED WITHOUT THE WRITTEN APPROVAL OF BEL FUSE INC.

RoHS



SUGGESTED PANEL OPENING



NOTE:

THE DISTANCE OF PANEL INSIDE SURFACE RELATIVE TO FRONT SURFACE OF PART IS ONLY A SUGGESTION. IN CASE THIS DISTANCE IS DIFFERENT, THE REQUIRED PANEL OPENING DIMENSIONS CHANGE ACCORDINGLY.

PACKING INFORMATION

PACKING TRAY: : 0200M9999-K8 (TOP)

0200M9999-K7 (BOTTOM)

PACKING QUANTITY : 48 PCS FINISHED GOODS PER TRAY

9 TRAYS (432 PCS FINISHED GOODS) PER CARTON BOX

NOTE : CARDBOARDS ARE PLACED BETWEEN LAYERS OF PACKING TRAY INSIDE CARTON BOX
(INCLUDE THE UPPERMOST AND LOWERMOST TRAY)

REV. :	1	PAGE :	5
--------	---	--------	---

ORIGINATED BY TONY YUAN DATE 2024-07-18 DRAWN BY TOWER YU DATE 2024-07-18	TITLE 10 gigabit MagJack® 4PPoE 100W PATENTED	PART NO. / DRAWING NO. G27-122T-162A	STANDARD DIM. TOL. IN INCH	<input type="checkbox"/> METRIC DIM. AS REF.
		FILE NAME G27-122T-162A_1.DWG	.X .XX .XXX ±0.005	UNIT : INCH [mm] SCALE : N/A SIZE : A4

