



THE INFORMATION CONTAINED HEREIN IS CONSIDERED "PROPRIETARY" TO BEL FUSE INC. AND SHALL NOT BE COPIED, REPRODUCED OR DISCLOSED WITHOUT THE WRITTEN APPROVAL OF BEL FUSE INC.



LED1 POLARITY			LED2 POLARITY		
PIN 13	PIN 14	COLOR	PIN 15	PIN 16	COLOR
+	-	GREEN	+	-	GREEN
-	+	YELLOW	-	+	YELLOW

ELECTRICAL CHARACTERISTICS @ 25°C

URNS RATIO

TP1	1CT : 1CT
TP2	1CT : 1CT
TP3	1CT : 1CT
TP4	1CT : 1CT

INS. LOSS (MAX)

1MHz TO 20MHz	-0.8 dB
50MHz	-1.0 dB
200MHz	-1.2 dB
400MHz	-2.0 dB
500MHz	-3.0 dB

RET. LOSS (MIN)

1MHz - 40MHz	-16 dB
40MHz - 400 MHz	-16+10LOG (F/40) dB
400MHz - 500 MHz	-6+30LOG (F/400) dB

CM TO CM REJ

1MHz - 500MHz	-30 dB MIN
---------------	------------

CM TO DM REJ

1MHz - 500MHz	-30 dB MIN
---------------	------------

HIPOT (Isolation Voltage):

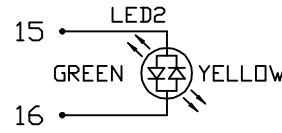
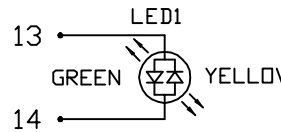
2250VDC

100% OF PRODUCTION TESTED TO COMPLY WITH IEEE 802.3 ISOLATION REQUIREMENTS.

LED 1 & 2

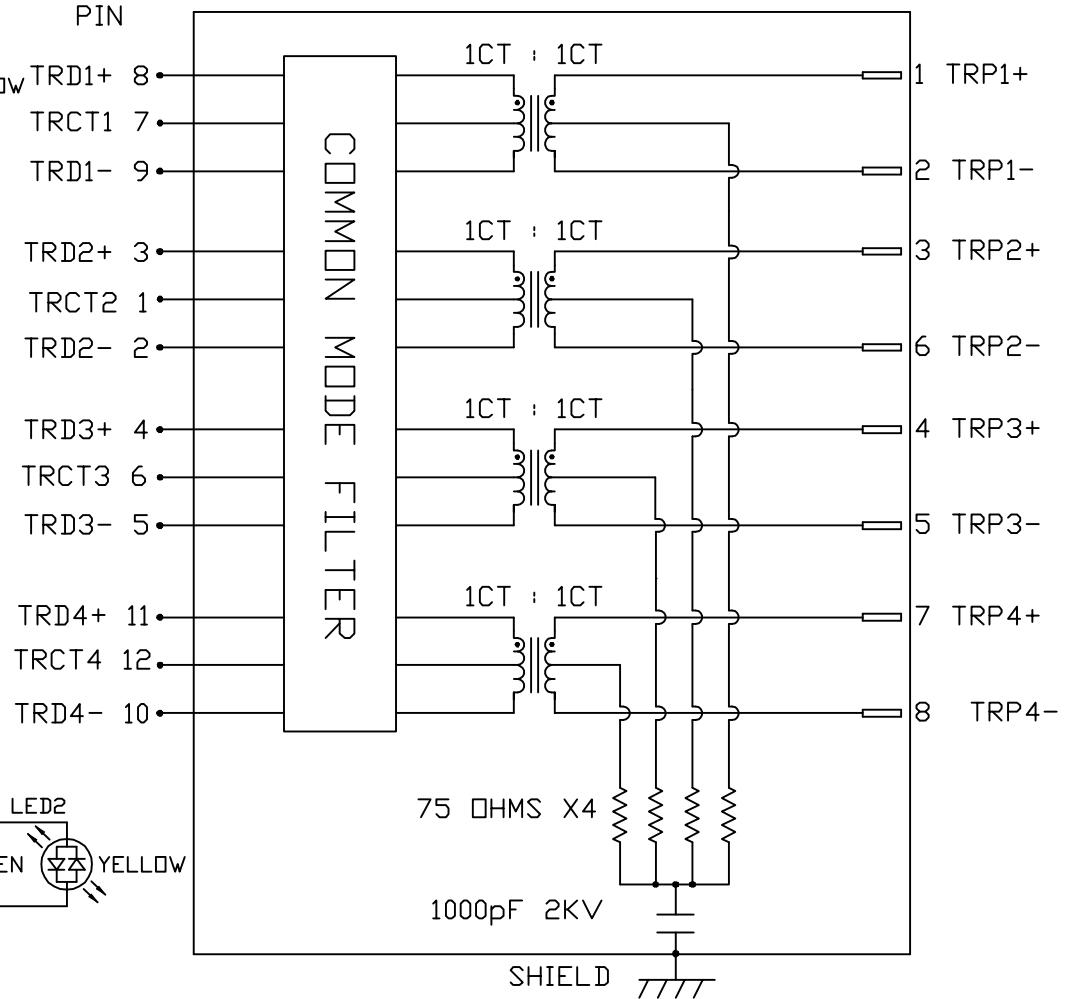
VF (FORWARD VOLTAGE)	IF=20mA	GREEN	2.2V TYP.
		YELLOW	2.1V TYP.
λD (DOMINANT WAVELENGTH)	IF=20mA	GREEN	570nm TYP.
		YELLOW	590nm TYP.

OPERATING TEMPERATURE: 0°C TO +85°C.



SCHEMATIC

RJ45



ORIGINATED BY  
BILL LIU  
DATE 2024-07-19

TITLE  
1X4 10 Gigabit MagJack®  
EXTENDED TEMPERATURE  
PATENTED

DRAWN BY  
YI LIU  
DATE 2024-07-19

PART NO. / DRAWING NO.  
G09-433A-019C

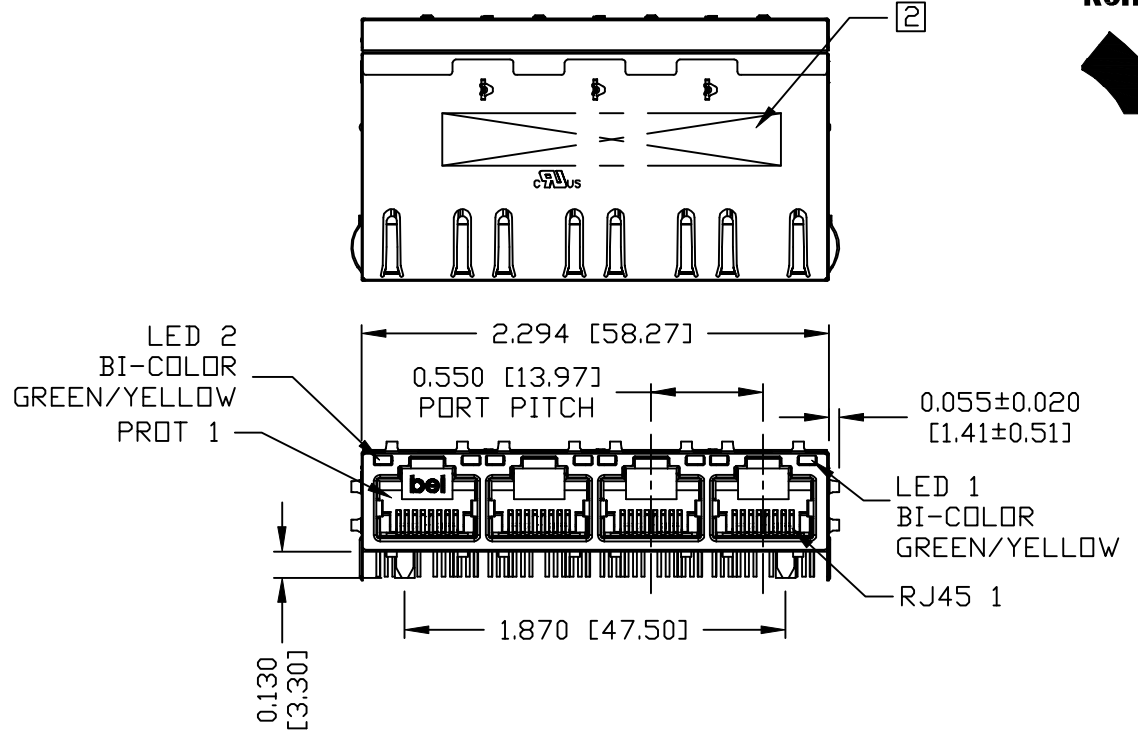
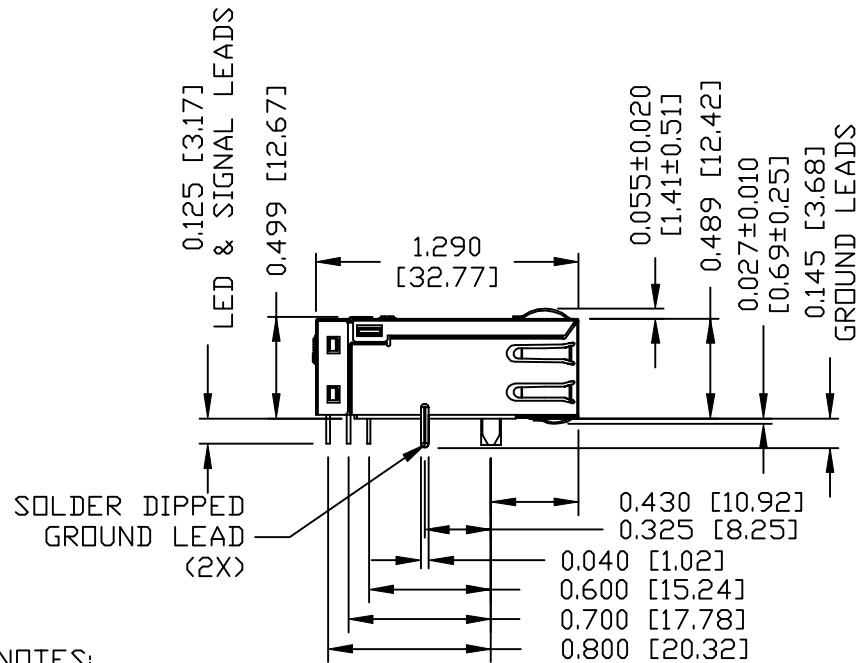
FILE NAME  
G09-433A-019C\_1.DWG

STANDARD DIM. TOL. IN INCH	[ ] METRIC DIM. AS REF.
.X	UNIT : INCH [mm]
.XX	SCALE : N/A
.XXX	SIZE : A4

REV. : 1 PAGE : 2



THE INFORMATION CONTAINED HEREIN IS CONSIDERED "PROPRIETARY" TO BEL FUSE INC. AND SHALL NOT BE COPIED, REPRODUCED OR DISCLOSED WITHOUT THE WRITTEN APPROVAL OF BEL FUSE INC.



**NOTES:**

- PLASTIC HOUSING: THERMOPLASTIC PA, BLACK  
FLAMMABILITY RATING UL 94V-0
  - CONTACTS PLATING: 50 MICRO-INCH HARD GOLD PLATED OR EQUIVALENT.
  - PINS: TIN-COATED COPPER WIRE, DIA 0.018 INCH.  
100 MICRO-INCH MIN MATTE TIN.  
PINS ARE SOLDER DIPPED.
  - METAL SHIELD: STAINLESS STEEL  
(ALL GROUND LEADS ARE SOLDER DIPPED)
1. JACK CAVITY CONFORMS TO FCC RULES AND REGULATIONS, PART 68 SUBPART F.

2. MARK PART WITH MFG LOGO, MFG NAME, PART NUMBER, DATE CODE AND "PATENTED" MARKING.  
THE PRODUCT IS PATENTED. THE PATENT NUMBER ARE U.S. PAT. 7,429,195 AND U.S. PAT. 7,924,130 AND U.S. PAT. 6,840,817 AND U.S. PAT. 7,123,117.
3. THE PRODUCT IS RoHS COMPLIANT & HALOGEN FREE.
4. THE AXIAL RETENTION FORCE OF RJ PORT IS 15LBS MIN.
5. THE PART IS RECOMMENDED FOR WAVE SOLDERING. THE SUGGESTED PEAK WAVE SOLDERING CONDITION IS 260°C MAX. AND 10 SECONDS MAX..

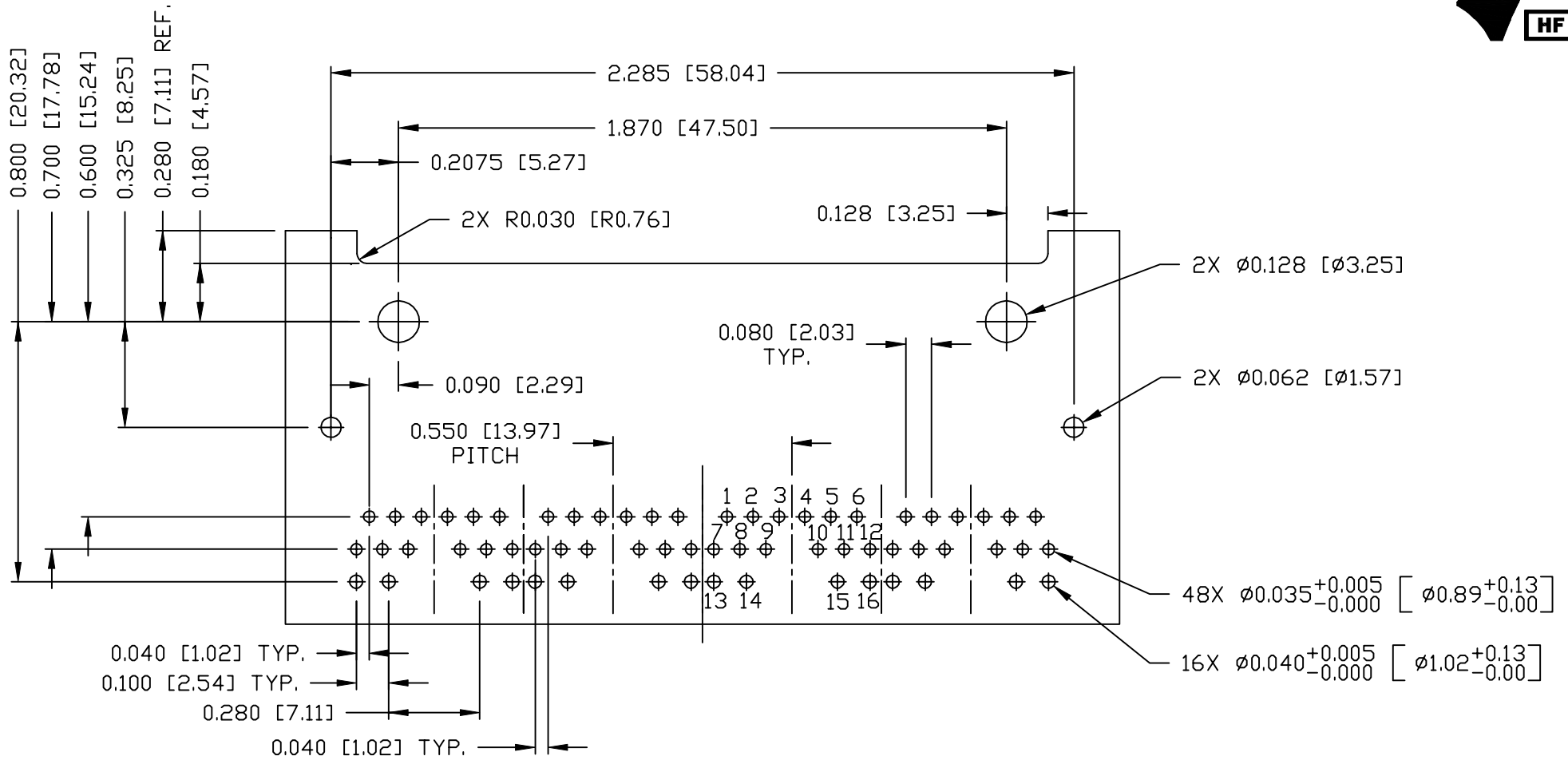
UL RECOGNIZED - FILE # E169987.

REV. : 1 PAGE : 3

ORIGINATED BY TONY YUAN DATE 2024-07-19	TITLE 1X4 10 Gigabit MagJack® EXTENDED TEMPERATURE PATENTED	PART NO. / DRAWING NO. G09-433A-019C	STANDARD DIM. TOL. IN INCH	[ ] METRIC DIM. AS REF.
		FILE NAME G09-433A-019C_1.DWG	.X .XX .XXX	UNIT : INCH [mm] SCALE : N/A SIZE : A4



THE INFORMATION CONTAINED HEREIN IS CONSIDERED "PROPRIETARY" TO BEL FUSE INC. AND SHALL NOT BE COPIED, REPRODUCED OR DISCLOSED WITHOUT THE WRITTEN APPROVAL OF BEL FUSE INC.



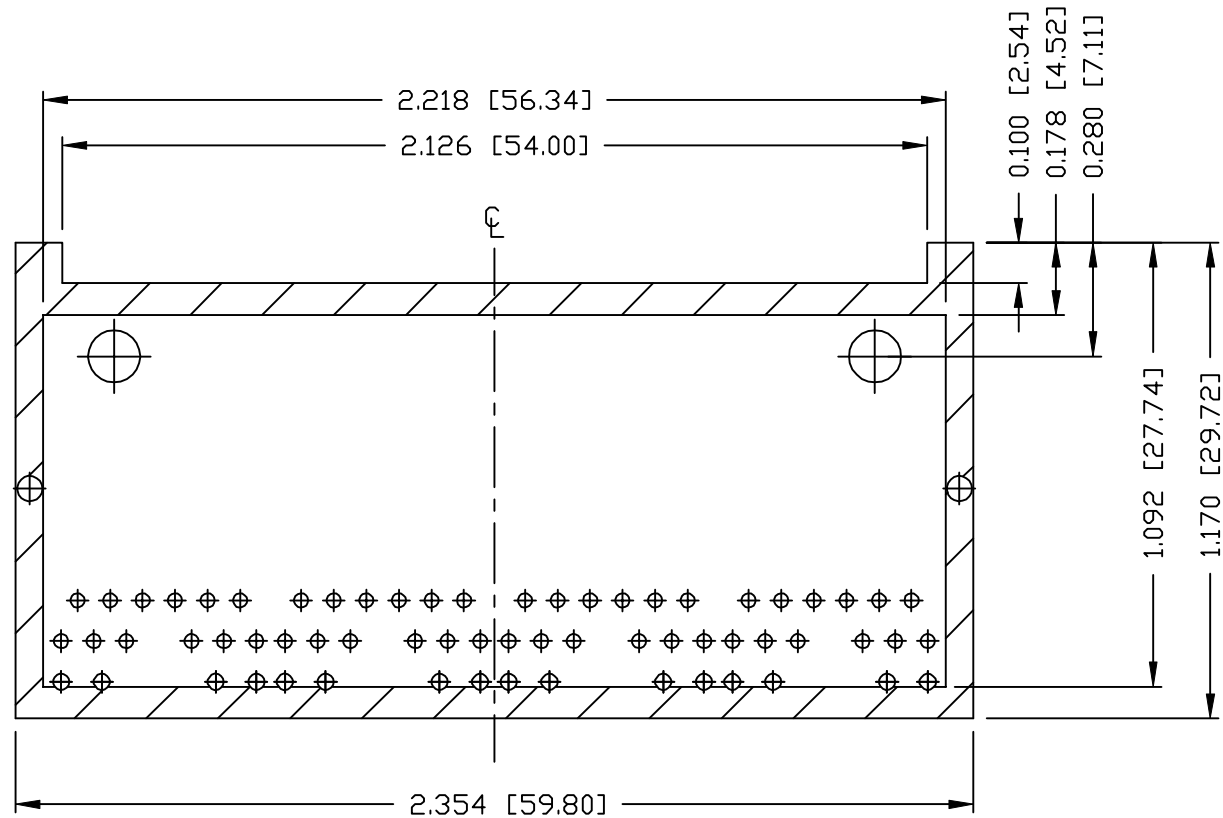
RECOMMENDED PCB FOOTPRINT  
(COMPONENT SIDE VIEW)

REV. : 1 PAGE : 4

ORIGINATED BY TONY YUAN DATE 2024-07-19	TITLE 1X4 10 Gigabit MagJack® EXTENDED TEMPERATURE PATENTED	PART NO. / DRAWING NO. G09-433A-019C	STANDARD DIM.		[ ] METRIC DIM.
			TOL. IN INCH		AS REF.
DRAWN BY TOWER YU DATE 2024-07-19		FILE NAME G09-433A-019C_1.DWG	.X		UNIT : INCH [mm]
			.XX		SCALE : N/A
			.XXX	±0.004	SIZE : A4



THE INFORMATION CONTAINED HEREIN IS CONSIDERED "PROPRIETARY" TO BEL FUSE INC. AND SHALL NOT BE COPIED, REPRODUCED OR DISCLOSED WITHOUT THE WRITTEN APPROVAL OF BEL FUSE INC.



**NOTES**

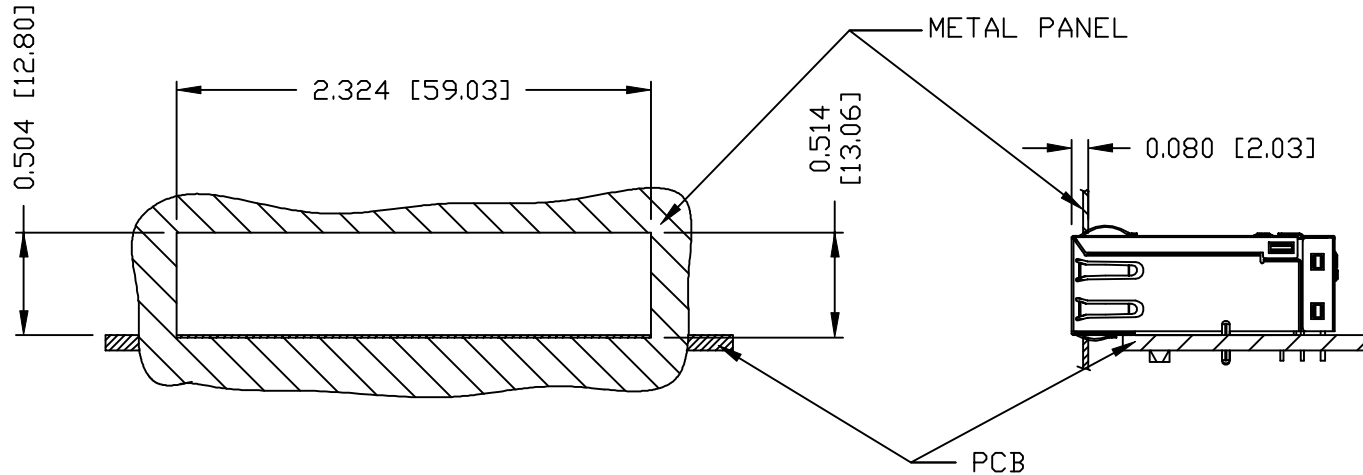
THE SHADED AREA ON THE CUSTOMER BOARD ARE RECOMMENDED TO BE CLEAR OFF ANY VIA HOLE OR COMPONENT PAD.

<b>ORIGINATED BY</b> TONY YUAN <b>DATE</b> 2024-07-19		<b>TITLE</b> 1X4 10 Gigabit MagJack® EXTENDED TEMPERATURE PATENTED		<b>PART NO. / DRAWING NO.</b> G09-433A-019C		<b>STANDARD DIM.</b> TOL. IN INCH		[ ] METRIC DIM. AS REF.		<b>REV. :</b> 1	<b>PAGE :</b> 5
<b>DRAWN BY</b> TOWER YU <b>DATE</b> 2024-07-19				<b>FILE NAME</b> G09-433A-019C_1.DWG		.X .XX .XXX ±0.004		UNIT : INCH [mm] SCALE : N/A SIZE : A4		 a bel group	

THE INFORMATION CONTAINED HEREIN IS CONSIDERED "PROPRIETARY" TO BEL FUSE INC. AND SHALL NOT BE COPIED, REPRODUCED OR DISCLOSED WITHOUT THE WRITTEN APPROVAL OF BEL FUSE INC.



SUGGESTED PANEL OPENING



NOTE:

THE DISTANCE OF PANEL INSIDE SURFACE RELATIVE TO FRONT SURFACE OF PART IS ONLY A SUGGESTION. IN CASE THIS DISTANCE IS DIFFERENT, THE REQUIRED PANEL OPENING DIMENSIONS CHANGE ACCORDINGLY.

PACKING INFORMATION

PACKING TRAY: 0200-9999-B4 (TOP)

0200-9999-B5 (BOTTOM)

PACKING QUANTITY: 24 PCS FINISHED GOODS PER TRAY

10 TRAYS (240 PCS FINISHED GOODS) PER CARTON BOX

NOTE : CARDBOARDS ARE PLACED BETWEEN LAYERS OF PACKING TRAY INSIDE CARTON BOX.

(INCLUDE THE UPPERMOST AND LOWERMOST TRAY)

REV. :	1	PAGE :	6
--------	---	--------	---

ORIGINATED BY TONY YUAN DATE 2024-07-19	TITLE 1X4 10 Gigabit MagJack® EXTENDED TEMPERATURE PATENTED	PART NO. / DRAWING NO. G09-433A-019C	STANDARD DIM. TOL. IN INCH	[ ] METRIC DIM. AS REF.
		FILE NAME G09-433A-019C_1.DWG	.X .XX .XXX	UNIT : INCH [mm] SCALE : N/A SIZE : A4

