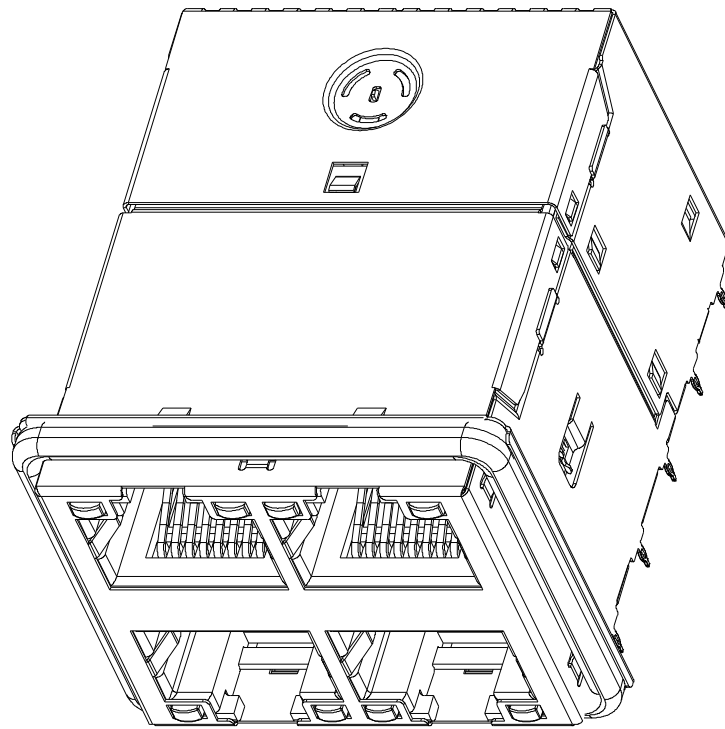


THIS DRAWING AND THE SUBJECT MATTER SHOWN THEREON ARE CONFIDENTIAL AND THE PROPERTY OF BEL/STEWART/TRP CONNECTOR AND SHALL NOT BE REPRODUCED, COPIED, OR USED IN ANY MANNER WITHOUT THE WRITTEN CONSENT OF TRP CONNECTOR.

PRODUCT MAY BE PROTECTED BY ONE OR MORE OF THE FOLLOWING US PATENTS:
 5736910 5939955 6425781 6428361 6554638 6840817 7123117
 7429195 7717749 7808751 6217391 6149050 7924130

REVISIONS			
#	DATE	DESCRIPTION	BY
1	22AUG2024	INITIAL RELEASE	CZ TY



1. MATERIALS
 HOUSING: THERMOPLASTIC, BLACK, FLAMMABILITY RATING UL 94V-0
 SHIELD: NICKEL OR TIN PLATED ON COPPER ALLOY
 COMPLIANT PIN: PHOSPHOR BRONZE, PLATED WITH 2.54um MIN MATTE TIN OVER 1.27um MIN NICKEL
 CONTACT: PHOSPHOR BRONZE, WITH 1.27um MIN OVERALL NICKEL UNDERPLATE AND SELECTIVE 1.27um MIN GOLD PLATING AT MATING INTERFACE

2. MAGNETICS
 - APPLICATION: 1G/2.5G/5G/10G BASE-T, 4PPoE EXTENDED TEMPERATURE
 - IMPEDANCE: 100 OHMS
 - TURNS RATIO (CHIP:CABLE): 1:1 ALL FOUR PAIRS
 - OPEN CIRCUIT INDUCTANCE (OCL): 160uH MIN @ 100kHz, 0.1VRMS, 8mA DC BIAS, ALL FOUR PAIRS. 120uH MIN @ 100kHz, 0.1VRMS, 23mA DC BIAS, ALL FOUR PAIRS.
 - ALL FOUR PAIRS BI-DIRECTIONAL
 - PoE CURRENT: 1A DC MAX FOR ONE PAIR
 - PERFORMANCE @ 25°C (WHERE f IS FREQUENCY IN MHZ)
 (a) INSERTION LOSS (IL):
 1MHz TO 200MHz -0.8 dB MIN
 200MHz TO 400MHz -1.4 dB MIN
 (b) RETURN LOSS (RL):
 1MHz TO 40MHz -18 dB MAX
 40MHz TO 400MHz -18+10*LOG10(f/40) dB MAX
 400MHz TO 500MHz -8+30*LOG10(f/400) dB MAX
 (c) CROSSTALK ATTENUATION:
 1MHz TO 500MHz -20 dB MAX
 (d) COMMON MODE REJECTION:
 1MHz TO 250MHz -20 dB MAX
 250MHz TO 500MHz -20+25*LOG10(f/250) dB MAX
 - ISOLATION VOLTAGE: 2250VDC FOR 60 SECONDS WITH A RISE TIME OF 500V/SEC, WITH ALL PORTS CONNECTED.

3. THE MAGNETIC CIRCUIT ON ALL FOUR CHANNELS IS SYMMETRICAL AND SUPPORTS AUTO-MDIX OPERATION.

4. OPERATING TEMPERATURE: -40°C - 85°C.

5. DATUM Y AND BASIC DIMENSION ESTABLISHED BY CUSTOMER.

6. RJ45 CAVITY CONFORMS TO FCC RULES AND REGULATION PART 68 SUBPART F.

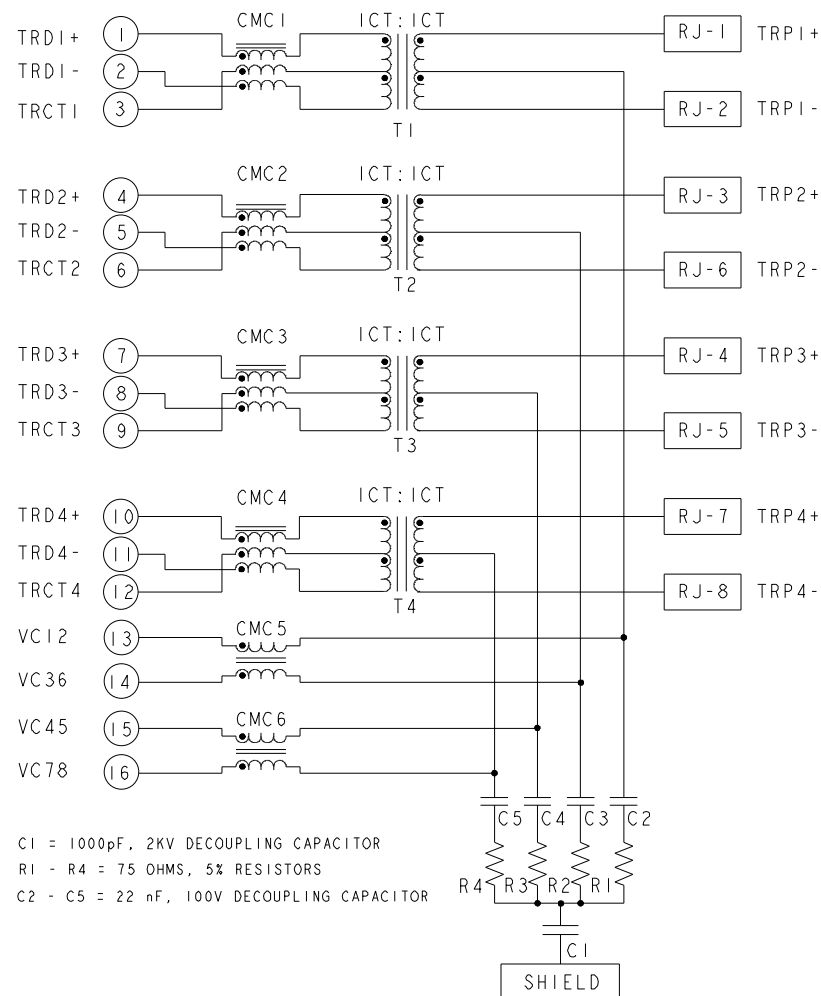
7. TRP CONNECTOR LOGO, PART NUMBER, DATE CODE, COUNTRY OF ORIGIN, AGENCY APPROVAL MARKING IN APPROPRIATE LOCATION SHOWN.
 DATE CODE: YYWW WHERE "YY" IS YEAR, "WW" IS WORK WEEK, "D" IS DAY OF WEEK, WITH SUNDAY= 1

8. PANEL SEATING LOCATION WITH RESPECT TO CUSTOMER PCB EDGE.

9. THE FINISHED GOODS IS WITHOUT SMD LED, THE SMD LED IS PROVIDED BY CUSTOMER HERSELF, AND THE SMD LED IS MOUNTED ON CUSTOMER PCB.

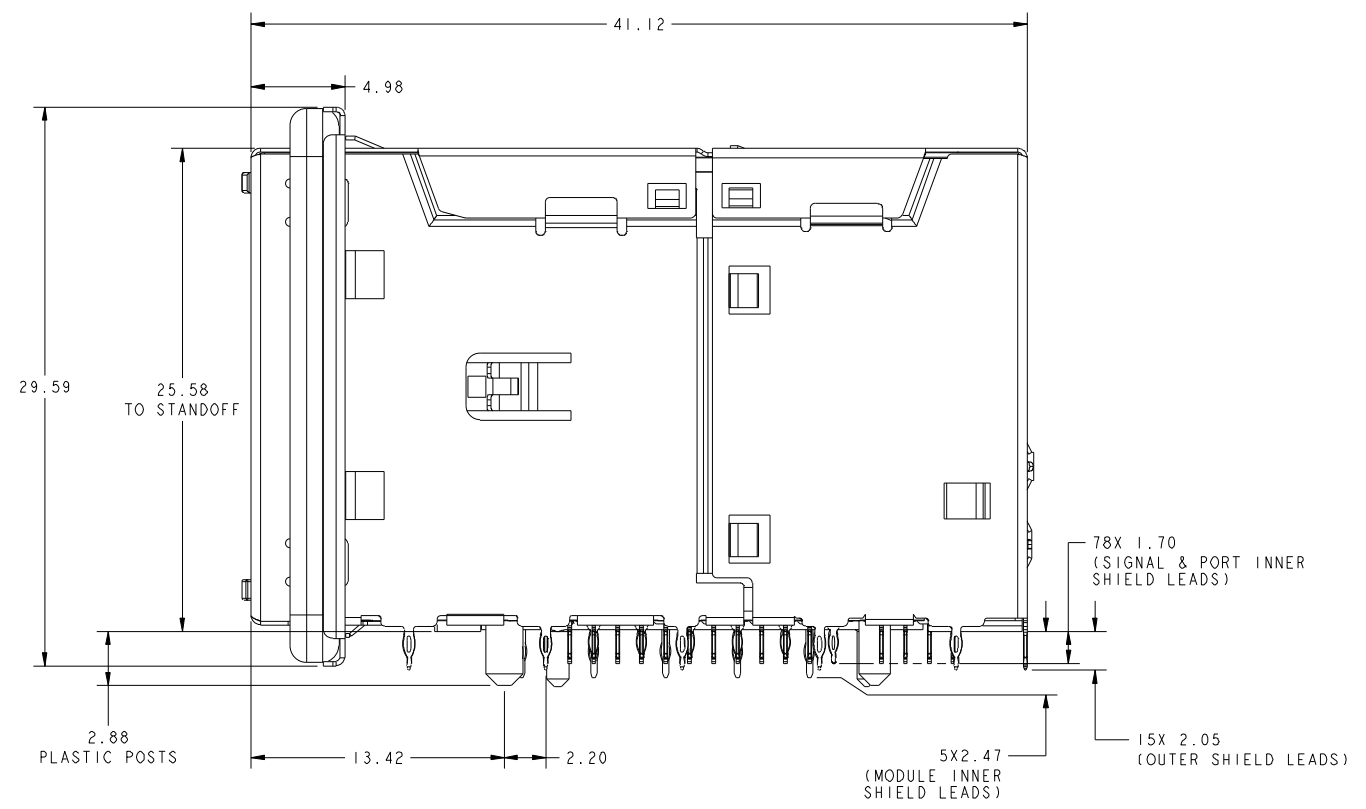
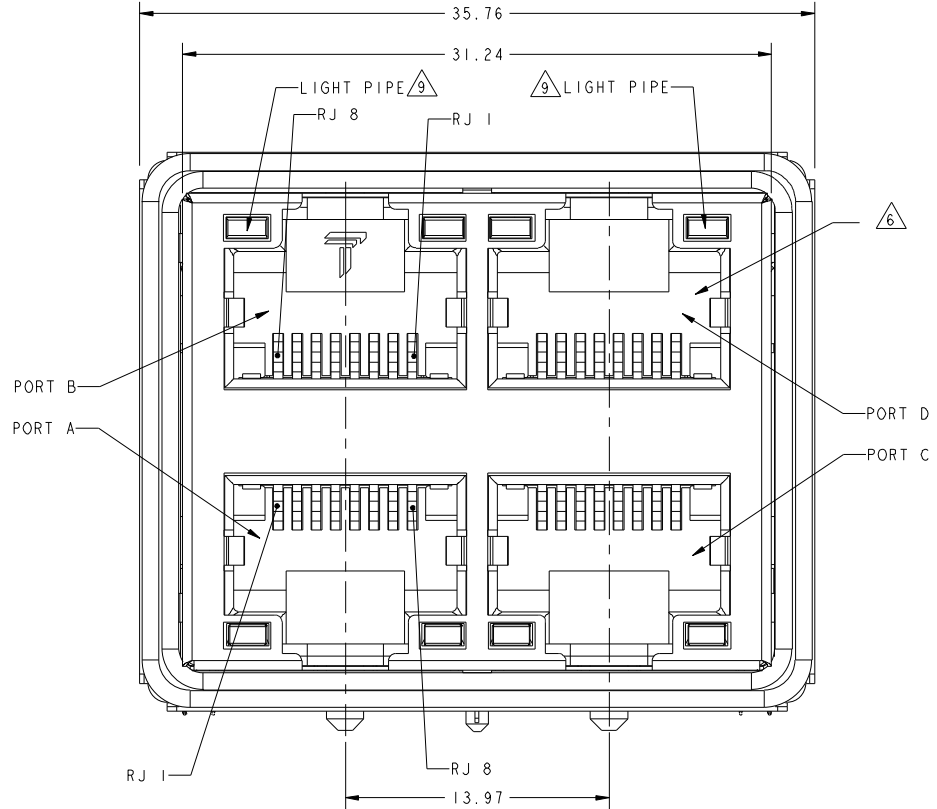
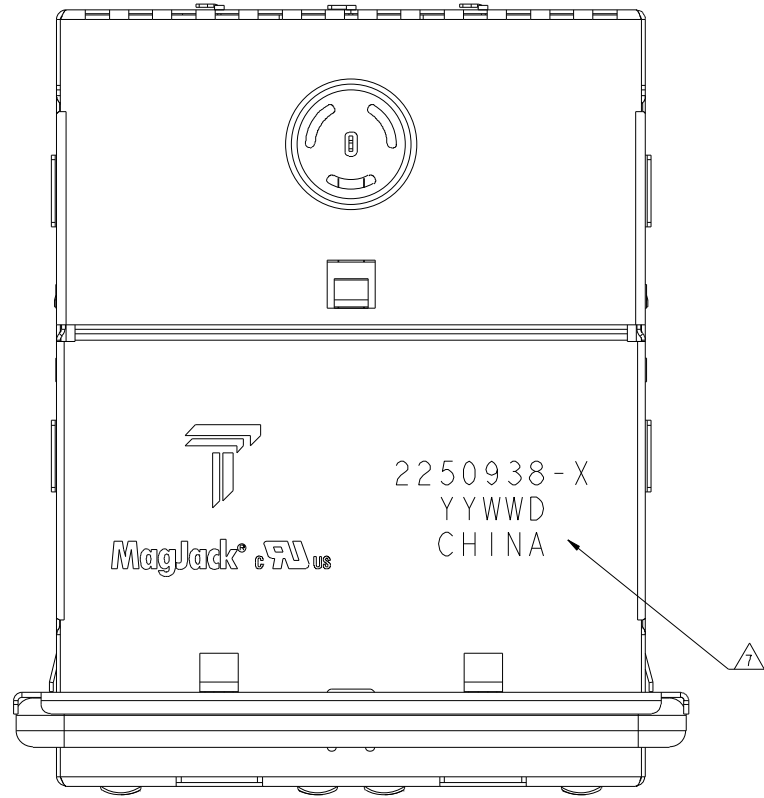
10. FOR HOLE SIZE AND PLATINGS, SEE SHEET 4.

S9UTG04MET 10 GIGABIT 100W 4PPOE CIRCUIT 2 3

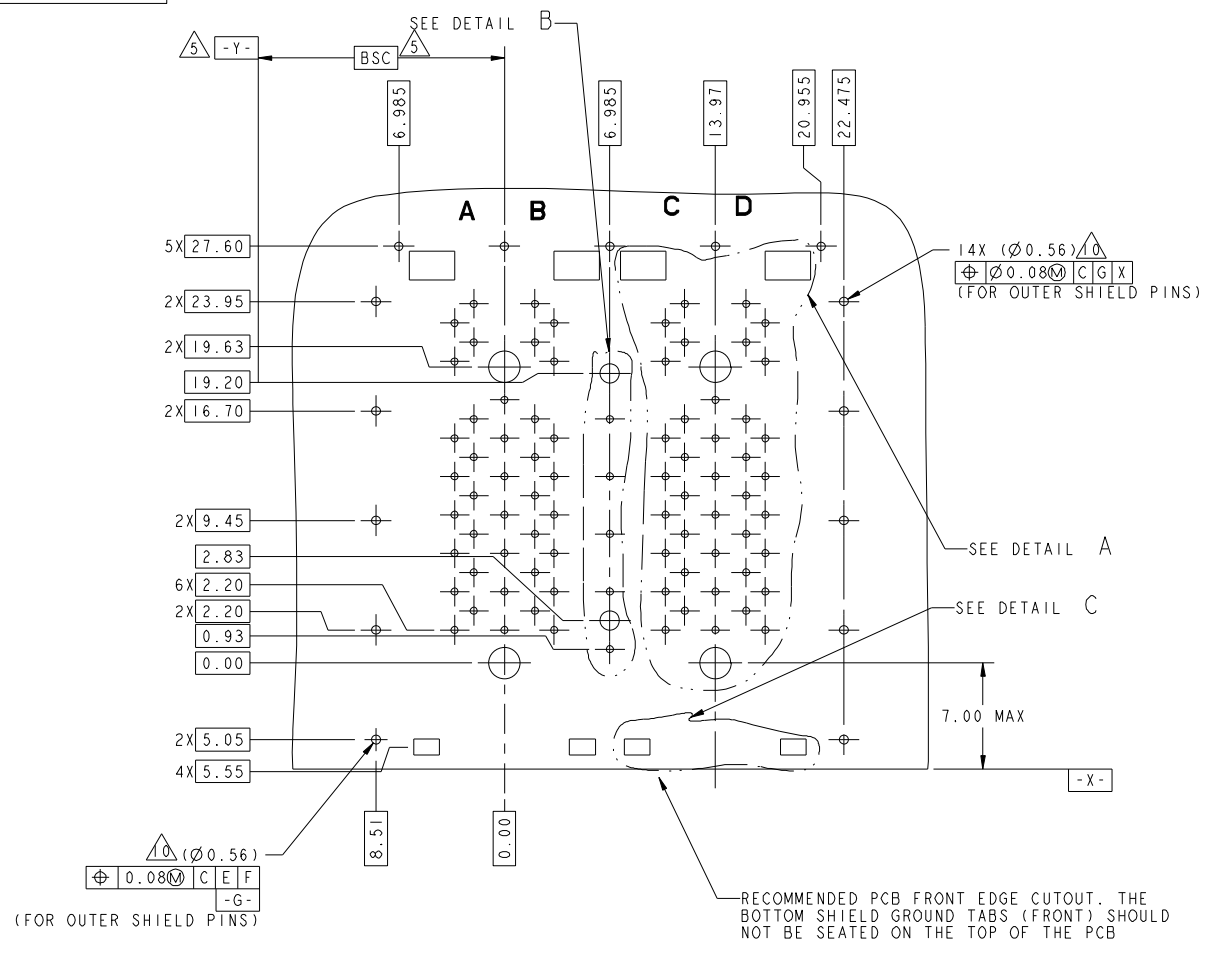


2250938-1
 PART NUMBER

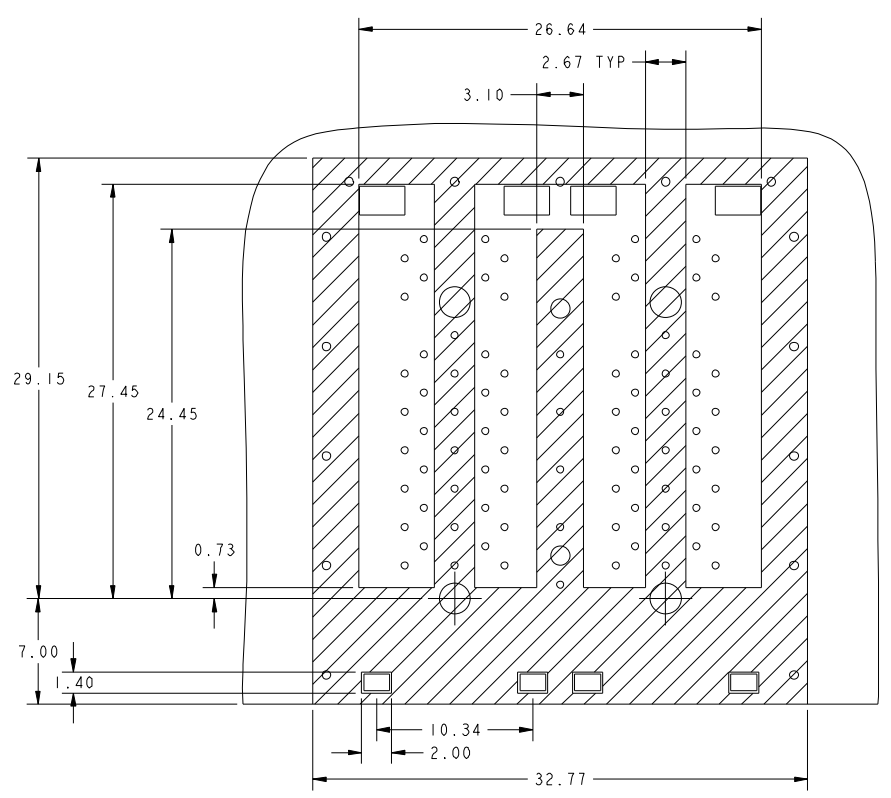
THIS DRAWING IS A CONTROLLED DOCUMENT AND COMPLIANT TO ASME Y14.5M		DWN: CLOUD ZENG / TERRY LIN 22AUG2024 CHK: RICK LI / BILL LIU 22AUG2024 APVD: TONY YUAN 22AUG2024	DONGGUAN CHINA	
DIMENSIONS: mm	TOLERANCES UNLESS OTHERWISE SPECIFIED:	MODEL NAME: MAGJACK STACK 4PPoE	DESC: 2X2, S9UTG04MET 10G 100W 4PPoE WITH LIGHT PIPE	RESTRICTED TO: -
0 PLC ±0.25 1 PLC ±0.25 2 PLC ±0.25 3 PLC ±0.25 4 PLC ±0.25 ANGLES ±°	APPLICATION SPEC: -	SIZE: A1	CAGE CODE: - DRAWING NO: 2250938	SCALE: NTS
PRODUCT SPEC: 108-104017		CUSTOMER DRAWING		
		SHEET 1 OF 6 REV 1		



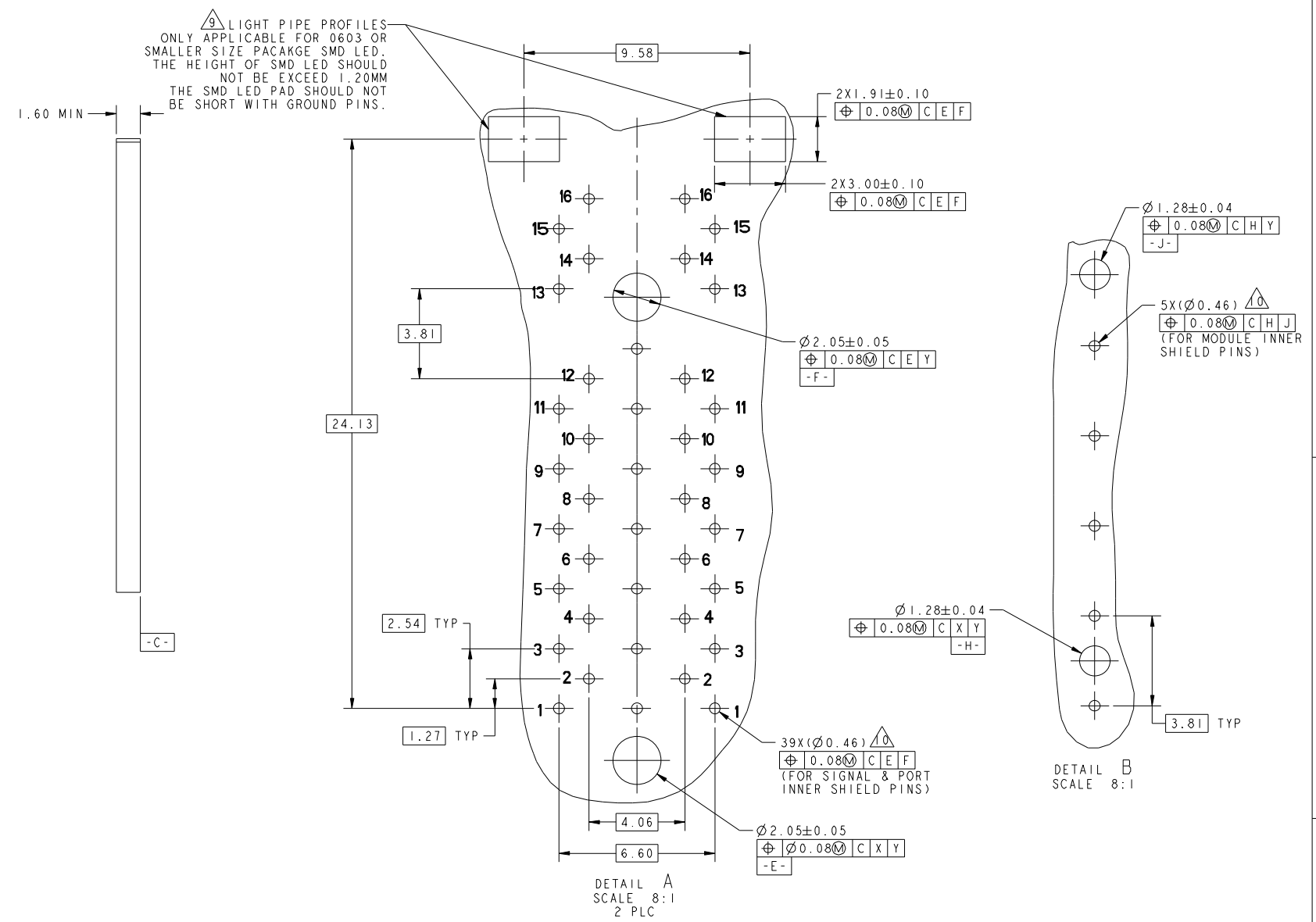
THIS DRAWING IS A CONTROLLED DOCUMENT AND COMPLIANT TO ASME Y14.5M		DWN: CLOUD ZENG / TERRY LIN 22AUG2024	trp CONNECTOR a bel group DONGGUAN CHINA
DIMENSIONS: mm		CHK: RICK LI / BILL LIU 22AUG2024	
TOLERANCES UNLESS OTHERWISE SPECIFIED: 0 PLC ±0.25 1 PLC ±0.25 2 PLC ±0.25 3 PLC ±0.25 4 PLC ±0.25 ANGLES ±°		APP: TONY YUAN 22AUG2024	
PRODUCT SPEC: 108-104017	APPLICATION SPEC: -	MODEL NAME: MAGJACK STACK 4P0E	DESC: 2X2, S9UTG04MET 10G 100W 4P0E WITH LIGHT PIPE
CUSTOMER DRAWING		SIZE: A1	RESTRICTED TO: -
		SCALE: NTS	SHEET 2 OF 6 REV 1



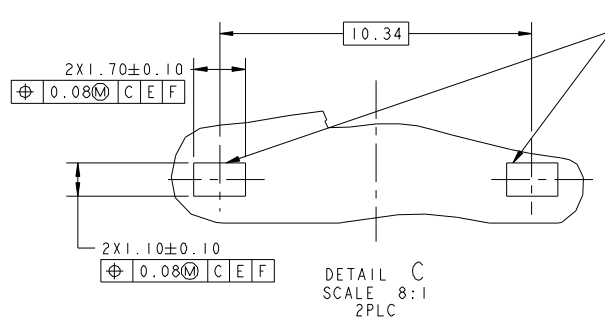
**RECOMMENDED PC BOARD LAYOUT
 (VIEW FROM COMPONENT SIDE)**



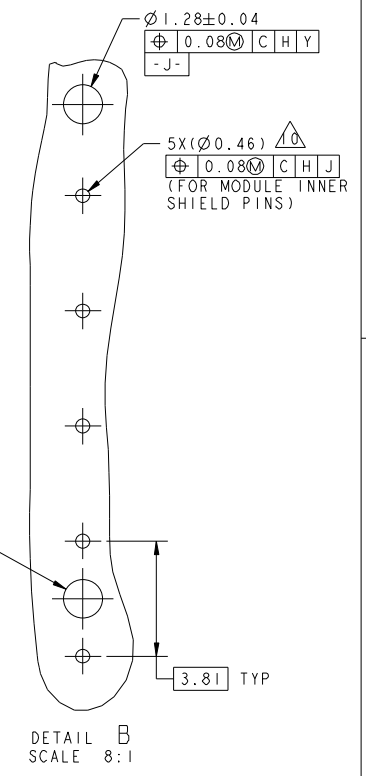
**THE SHADED AREA ON THE CUSTOMER BOARD ARE
 RECOMMENDED TO BE CLEAR OF ANY VIA HOLE OR
 COMPONENT PAD**



**DETAIL A
 SCALE 8:1
 2 PLC**

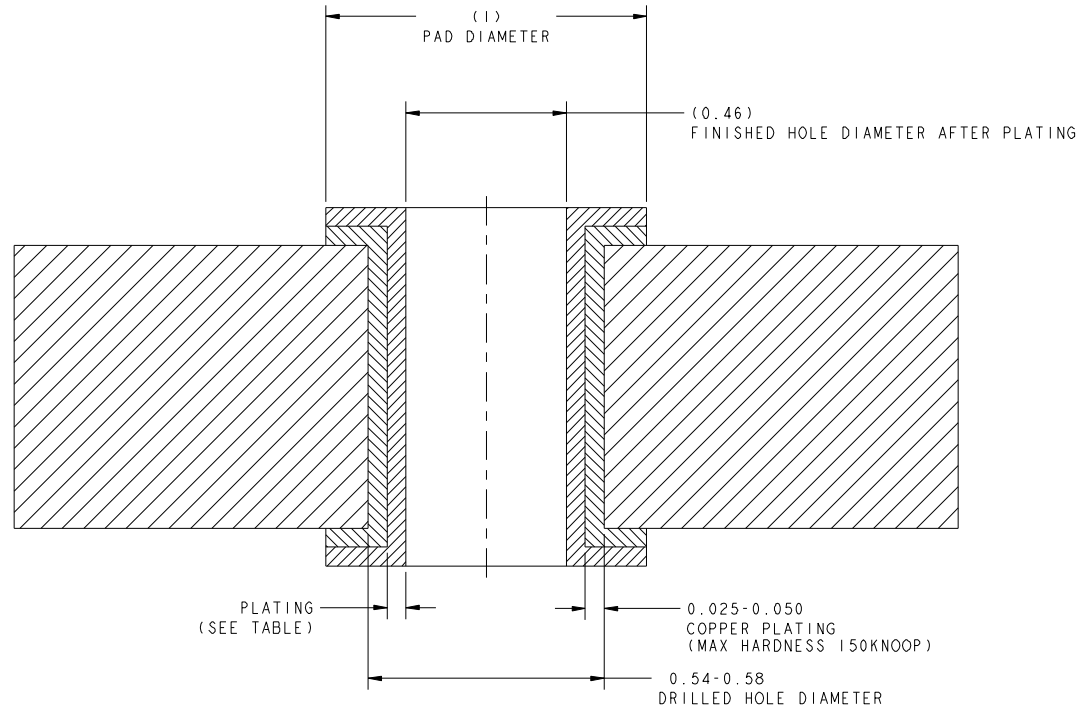


**DETAIL C
 SCALE 8:1
 2 PLC**

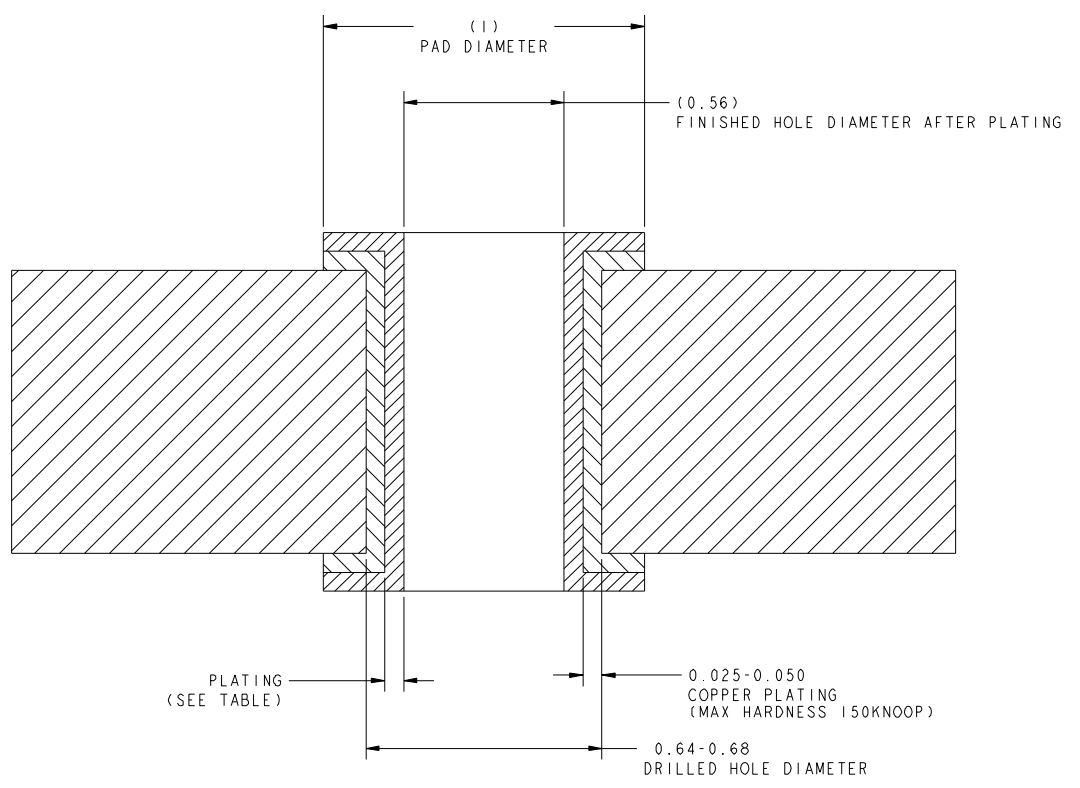


**DETAIL B
 SCALE 8:1**

THIS DRAWING IS A CONTROLLED DOCUMENT AND COMPLIANT TO ASME Y14.5M		DWN: CLOUD ZENG / TERRY LIN 22AUG2024	 DONGGUAN CHINA
DIMENSIONS: mm		CHK: RICK LI / BILL LIU 22AUG2024	
TOLERANCES UNLESS OTHERWISE SPECIFIED:		APP'D: TONY YUAN 22AUG2024	DESC: 2X2, S9UTG04MET 10G 100W 4PPoE WITH LIGHT PIPE SIZE: A1 CAGE CODE: 2250938 DRAWING NO: 108-104017
0 PLC ±0.25 1 PLC ±0.25 2 PLC ±0.25 3 PLC ±0.25 4 PLC ±0.25 ANGLES ±°		MODEL NAME: MAGJACK STACK 4PPoE	
PRODUCT SPEC: 108-104017		APPLICATION SPEC: -	RESTRICTED TO: -
CUSTOMER DRAWING			SCALE: NTS SHEET 3 OF 6 REV 1



RECOMMENDED HOLE DIMENSIONS FOR SIGNAL & INNER SHIELD CONTACTS



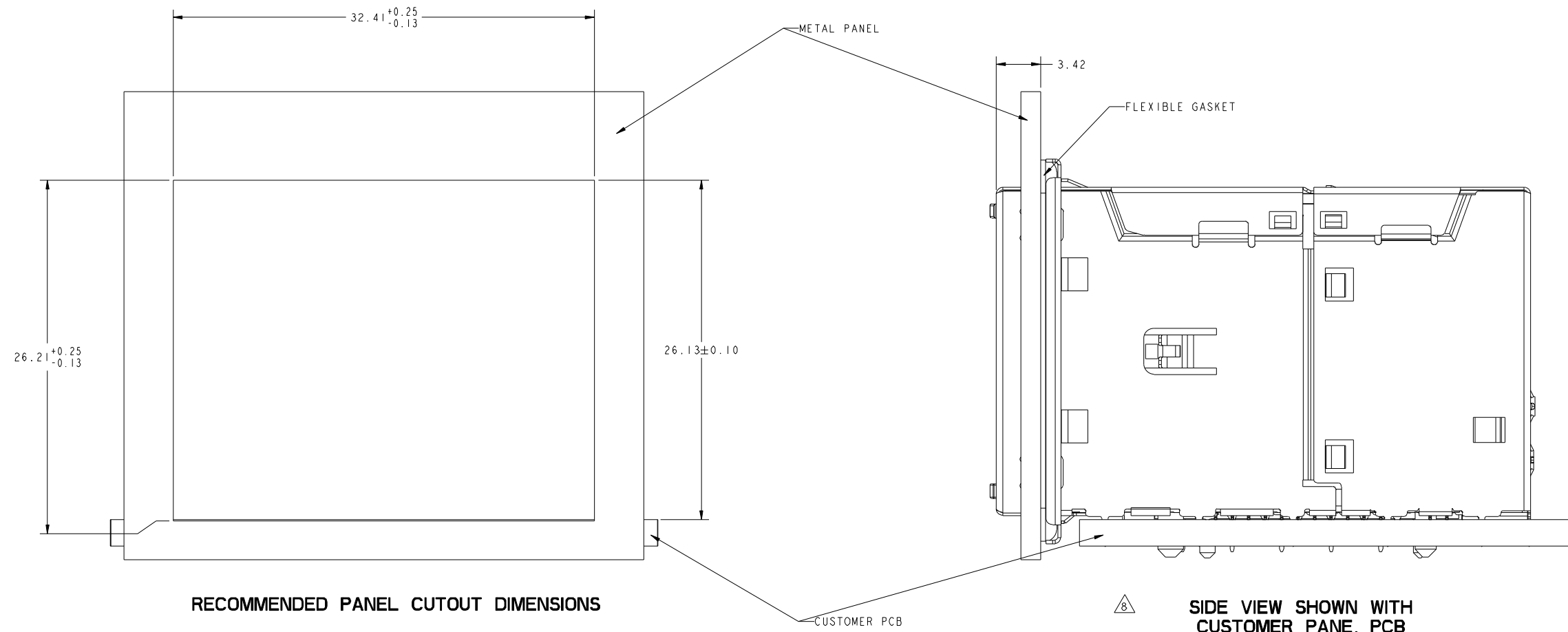
RECOMMENDED HOLE DIMENSIONS FOR OUTER SHIELD CONTACTS


THICKNESS	PLATING
0.004-0.010	HOT AIR SOLDER LEVELING (HASL) TIN-LEAD (Sn Pb)
0.0005-0.001	IMMERSION TIN (Sn)
0.0002-0.0005	ORGANIC SOLDERABILITY PRESERVATIVE (OSP)
0.0001-0.0005 Au, 0.004-0.0076 Ni	IMMERSION GOLD (Au) OVER NICKEL (Ni) (ENIG)
0.010-0.025	TIN LEAD PLATING (Sn Pb)
0.0001-0.00015	IMMERSION SILVER (Ag)

THIS DRAWING IS A CONTROLLED DOCUMENT. AND COMPLIANT TO ASME Y14.5M

DIMENSIONS: mm	TOLERANCES UNLESS OTHERWISE SPECIFIED:	DWN: CLOUD ZENG / TERRY LIN 22AUG2024	CHK: RICK LI / BILL LIU 22AUG2024	APJ: TONY YUAN 22AUG2024	DESC: 2X2, S9UTG04MET 10G 100W 4PPoE WITH LIGHT PIPE
0 PLC ±0.25	1 PLC ±0.25	2 PLC ±0.25	3 PLC ±0.25	4 PLC ±0.25	ANGLES ±
PRODUCT SPEC: 108-104017	APPLICATION SPEC: -	MODEL NAME: MAGJACK	STACK 4PPoE	SIZE: A1	CAGE CODE: -
CUSTOMER DRAWING			SCALE: NTS	SHEET: 4	OF: 6


trp CONNECTOR DONGGUAN CHINA



THIS DRAWING IS A CONTROLLED DOCUMENT. AND COMPLIANT TO ASME Y14.5M		DWN CLOUD ZENG / TERRY LIN 22AUG2024	CHK RICK LI / BILL LIU 22AUG2024	APVD TONY YUAN 22AUG2024	 trp CONNECTOR DONGGUAN CHINA
DIMENSIONS:	TOLERANCES UNLESS OTHERWISE SPECIFIED:	MODEL NAME			
mm	0 PLC ±0.25 1 PLC ±0.25 2 PLC ±0.25 3 PLC ±0.25 4 PLC ±0.25 ANGLES ±°	MAGJACK STACK 4PPoE			DESC 2X2, S9UTG04MET 10G 100W 4PPoE WITH LIGHT PIPE
PRODUCT SPEC 108-104017	APPLICATION SPEC -	SIZE A1	CAGE CODE C=2250938	DRAWING NO -	RESTRICTED TO -
CUSTOMER DRAWING				SCALE NTS	SHEET 5 OF 6 REV 1

2250938					STOCK DISPOSITION			
2X2, S9UTG04MET 10G 100W 4PPoE, WITH LIGHT PIPE					A: CONTINUE AS IS D: USE OLD FIRST B: REWORK E: PARTS TO CONFORM C: SCRAP F: OTHER			
REVISION HISTORY								
DATE	REV	CHANGES	REASON	APPROVAL	INVENTORY (A,B,C,D,E,F)	WORK IN PROCESS (A,B,C,F)	SUPPLIER ORDERS (A,E,F)	OPEN CUST ORDERS (A,E,F)
22AUG2024	I	-	INITIAL RELEASE	TONY YUAN	-	-	-	-
					-	-	-	-

THIS DRAWING IS A CONTROLLED DOCUMENT.
AND COMPLIANT TO ASME Y14.5M

DIMENSIONS: mm	TOLERANCES UNLESS OTHERWISE SPECIFIED: 0 PLC ±0.25 1 PLC ±0.25 2 PLC ±0.25 3 PLC ±0.25 4 PLC ± ANGLES ±°	DWN CLOUD ZENG / TERRY LIN 22AUG2024	CHK RICK LI / BILL LIU 22AUG2024	APVD TONY YUAN 22AUG2024	DESC 2X2, S9UTG04MET 10G 100W 4PPoE WITH LIGHT PIPE
PRODUCT SPEC 108-104017	APPLICATION SPEC -	 trp CONNECTOR DONGGUAN CHINA		MODEL NAME MAGJACK STACK 4PPoE	RESTRICTED TO -
CUSTOMER DRAWING			SIZE A1	CAGE CODE C=2250938	SCALE NTS
			SHEET 6 OF 6		REV 1