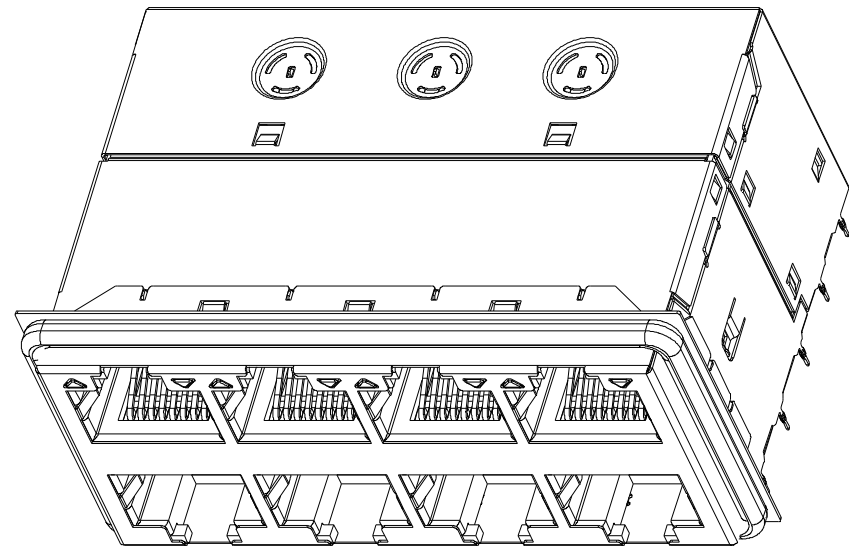
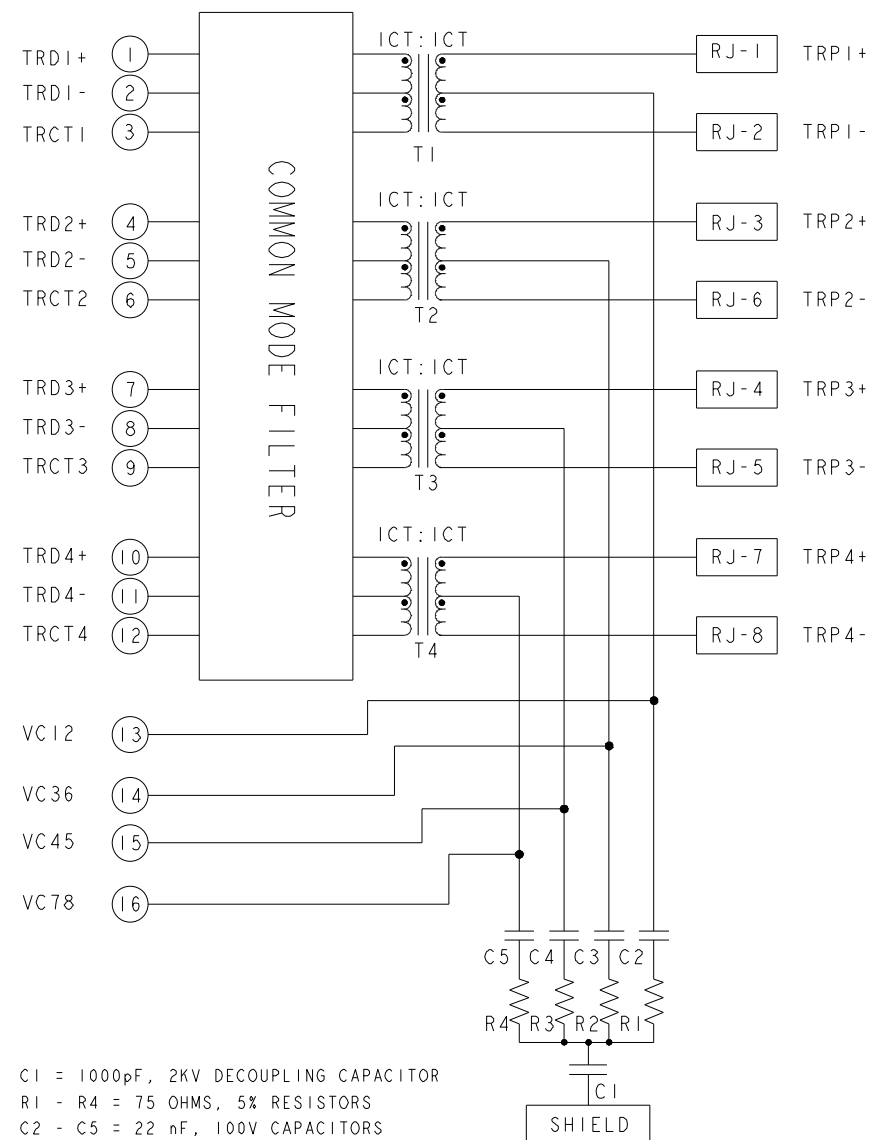


REVISIONS				
#	LT#	DESCRIPTION	DATE	DWN APVD
1		INITIAL RELEASE	19JUL2024	CZ TY



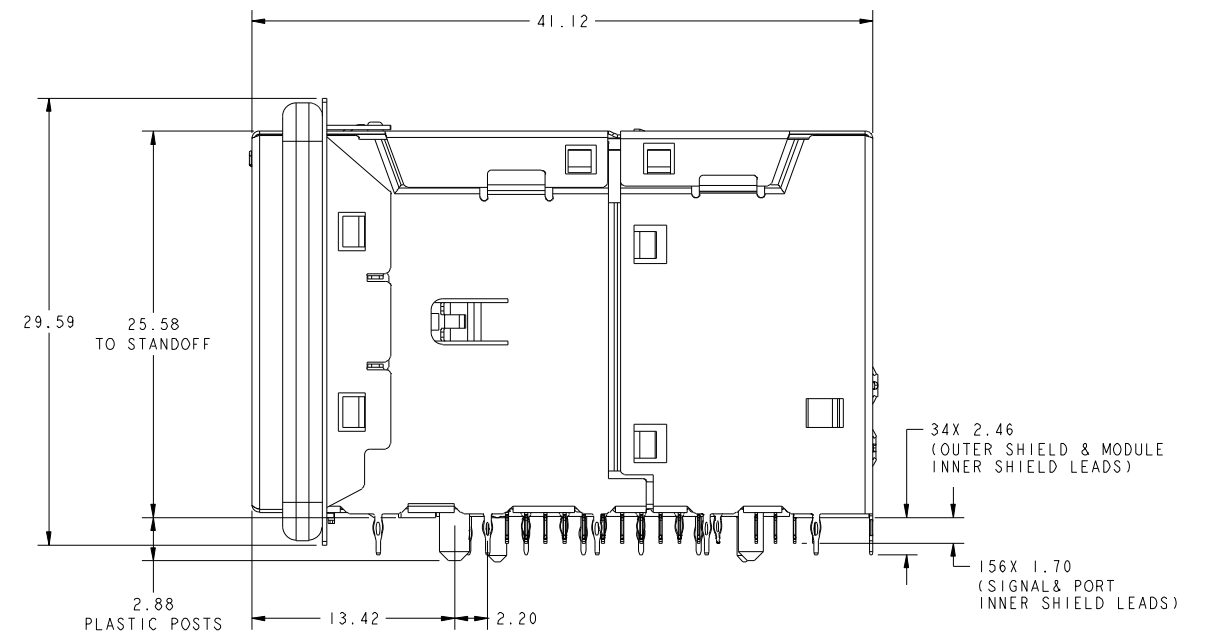
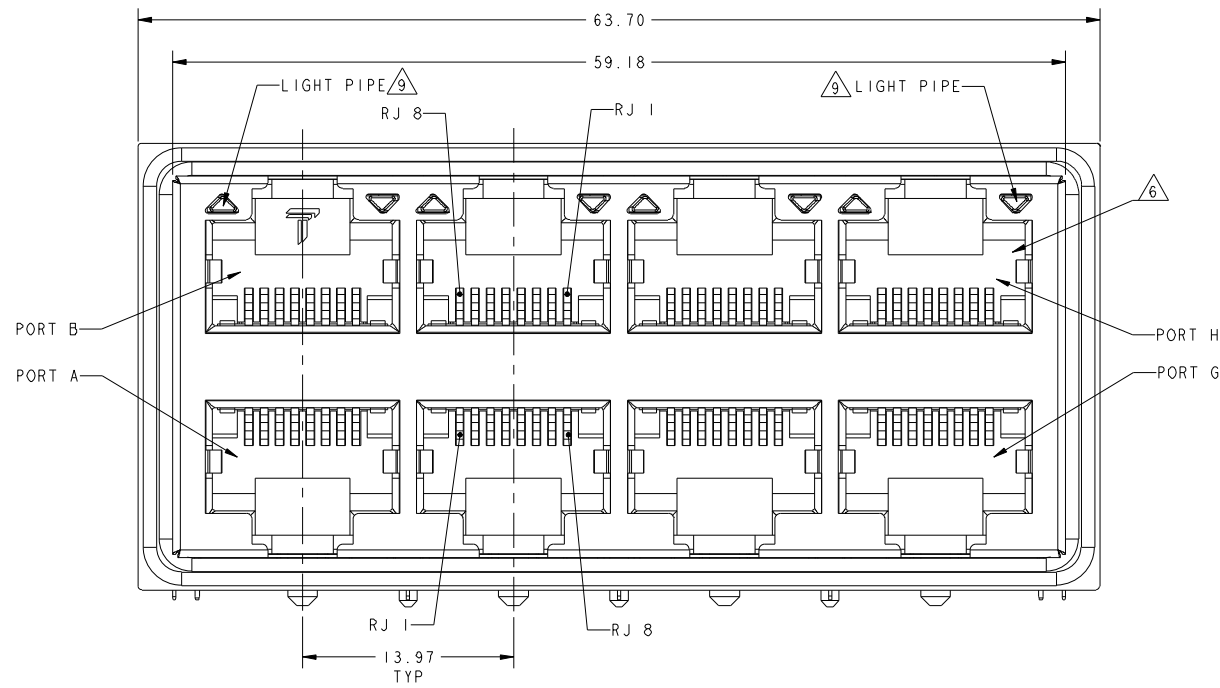
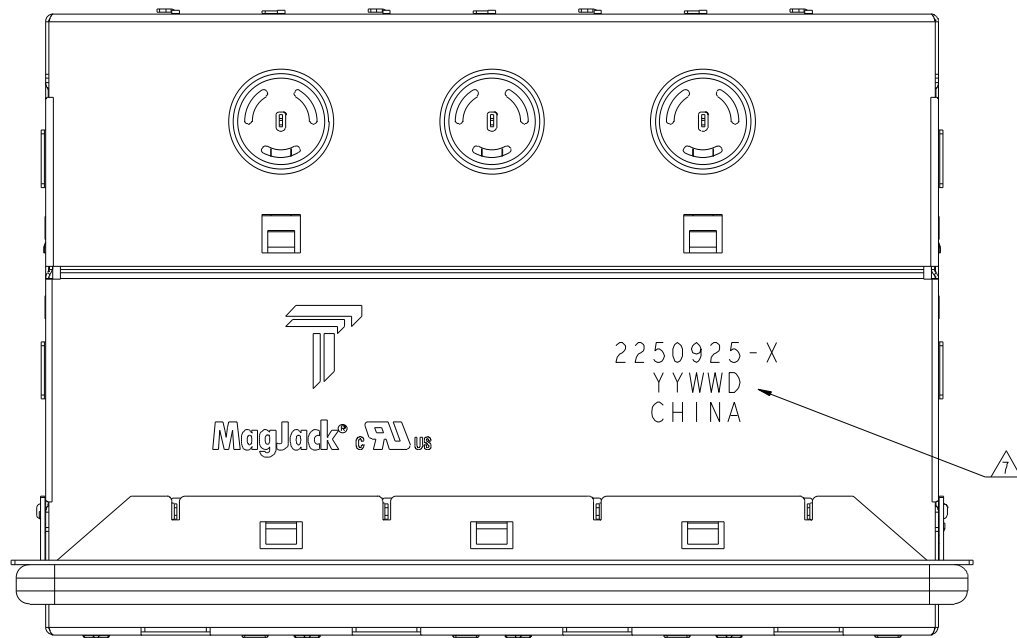
S9HTG08ET 10G 4PPoE CIRCUIT




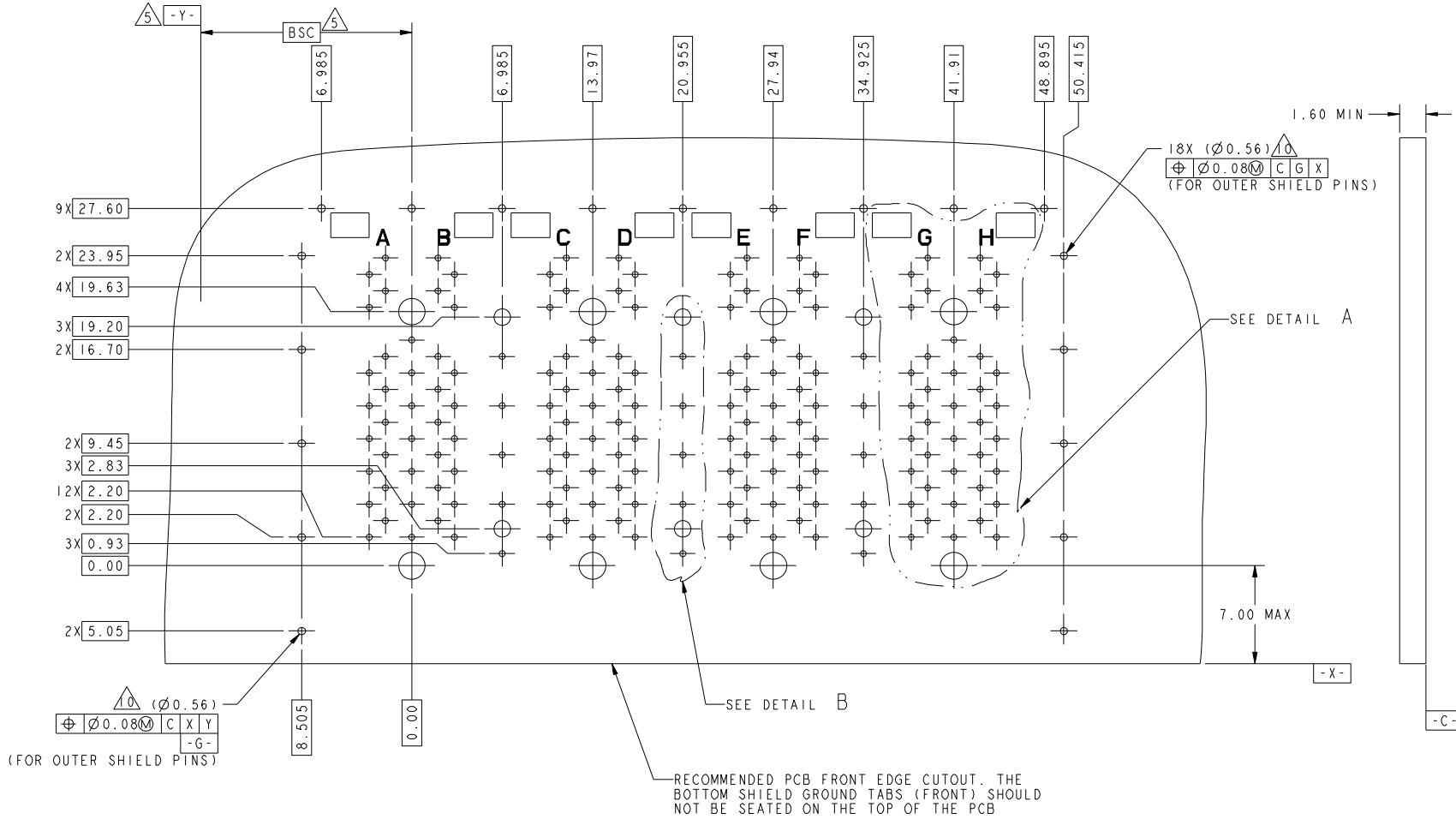
1. MATERIALS  
 HOUSING: THERMOPLASTIC, BLACK, FLAMMABILITY RATING UL 94V-0  
 SHIELD: NICKEL OR TIN PLATED ON COPPER ALLOY  
 COMPLIANT PIN: PHOSPHOR BRONZE, PLATED WITH 2.54um MIN MATTE TIN OVER 1.27um MIN NICKEL  
 CONTACT: PHOSPHOR BRONZE, WITH 1.27um MIN OVERALL NICKEL UNDERPLATE AND SELECTIVE 1.27um MIN GOLD PLATING AT MATING INTERFACE
2. MAGNETICS  
 - APPLICATION: 1G/2.5G/5G/10G BASE-T, EXTENDED TEMPERATURE  
 - IMPEDANCE: 100 OHMS  
 - TURNS RATIO (CHIP:CABLE): 1:1 ALL FOUR PAIRS  
 - OPEN CIRCUIT INDUCTANCE (OCL): 120uH MIN @100kHz, 0.1VRMS, 19mA DC BIAS, FROM -40°C TO 85°C. ALL FOUR PAIRS  
 - ALL FOUR PAIRS BI-DIRECTIONAL  
 - PoE CURRENT: 600mADC  
 - PERFORMANCE @ 25°C (WHERE f IS FREQUENCY IN MHZ)  
 (a) INSERTION LOSS (IL):  
 1 MHZ TO 400 MHZ -0.5-1.3\*(f-1)/400 dB MIN  
 (b) RETURN LOSS (RL):  
 1 MHZ TO 100 MHZ -17 dB MAX  
 100 MHZ TO 500 MHZ -17 + 20.75LOG10(f/100) dB MAX  
 (c) CROSSTALK ATTENUATION:  
 1 MHZ TO 500 MHZ -20 dB MAX  
 (d) COMMON MODE REJECTION:  
 1 MHZ TO 500 MHZ -16 dB MAX  
 - ISOLATION VOLTAGE: 2250VDC FOR 60 SECONDS WITH A RISE TIME OF 500V/SEC, WITH ALL PORTS CONNECTED.
3. THE MAGNETIC CIRCUIT ON ALL FOUR CHANNELS IS SYMMETRICAL AND SUPPORTS AUTO-MDIX OPERATION.
4. OPERATING TEMPERATURE: -40°C - 85°C.
5. DATUM Y AND BASIC DIMENSION ESTABLISHED BY CUSTOMER.
6. RJ45 CAVITY CONFORMS TO FCC RULES AND REGULATION PART 68 SUBPART F.
7. TRP CONNECTOR LOGO, PART NUMBER, DATE CODE, COUNTRY OF ORIGIN, AGENCY APPROVAL MARKING IN APPROPRIATE LOCATION SHOWN.  
 DATE CODE: YYWW WHERE "YY" IS YEAR, "WW" IS WORK WEEK, "D" IS DAY OF WEEK, WITH SUNDAY= 1
8. PANEL SEATING LOCATION WITH RESPECT TO CUSTOMER PCB EDGE.
9. THE FINISHED GOODS IS WITHOUT SMD LED, THE SMD LED IS PROVIDED BY CUSTOMER HERSELF, AND THE SMD LED IS MOUNTED ON CUSTOMER PCB.
10. FOR HOLE SIZE AND PLATINGS, SEE SHEET 4.

2250925-1  
PART NUMBER

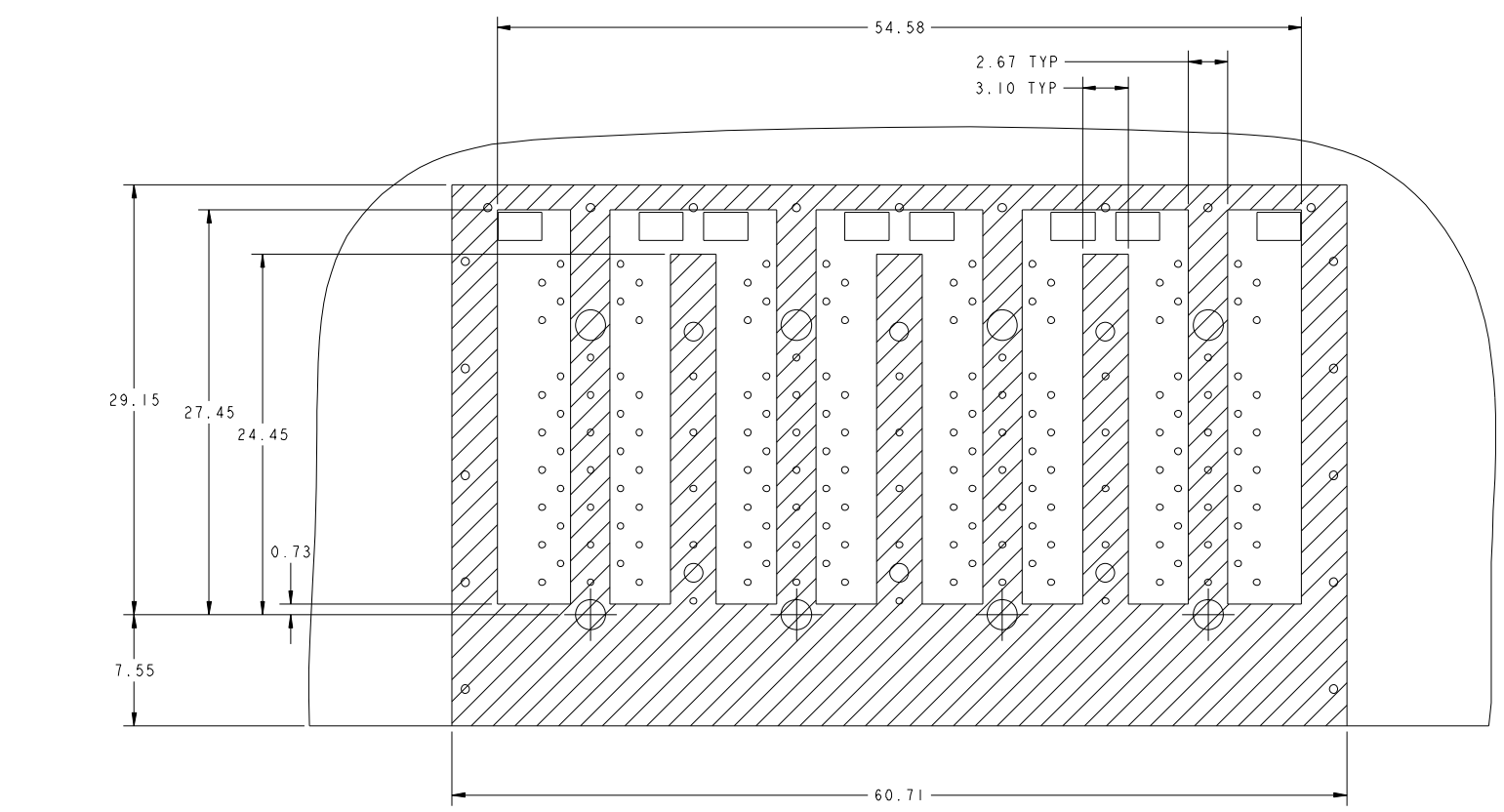
THIS DRAWING IS A CONTROLLED DOCUMENT. AND COMPLIANT TO ASME Y14.5M		DWN: CLOUD ZENG/TERRY LIN 19JUL2024 CHK: RICK LI/BILL LIU 19JUL2024 APPD: TONY YUAN 19JUL2024		DONGGUAN CHINA	
DIMENSIONS: mm		TOLERANCES UNLESS OTHERWISE SPECIFIED: 0 PLC ±0.25 1 PLC ±0.25 2 PLC ±0.25 3 PLC ±0.25 4 PLC ±0.25 ANGLES ±°		MODEL NAME: MAGJACK DESC: 2X4, S9HTG08ET 10G 4PPoE CIRCUIT PRESS FIT, WITH LIGHT PIPE	
PRODUCT SPEC: 108-104017		APPLICATION SPEC: -		SIZE: A1 CAGE CODE: - DRAWING NO: 2250925 RESTRICTED TO: -	
Customer Drawing				SCALE: NTS SHEET 1 OF 6 REV 1	



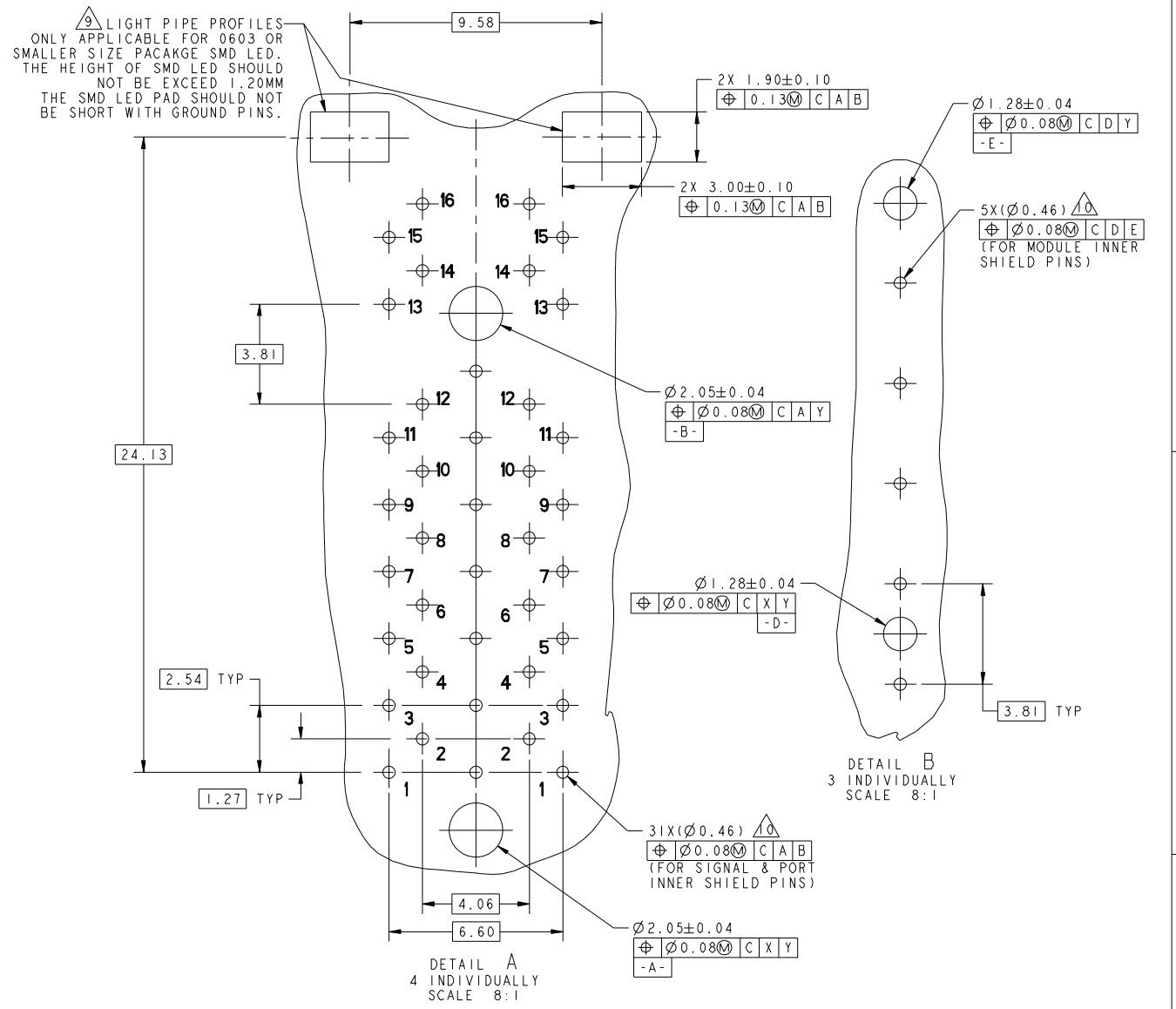
THIS DRAWING IS A CONTROLLED DOCUMENT. AND COMPLIANT TO ASME Y14.5M		DWN CLOUD ZENG/TERRY LIN 19JUL2024	CHK RICK LI/BILL LIU 19JUL2024	APRJD TONY YUAN 19JUL2024	 <b>trp</b> CONNECTOR DONGGUAN CHINA
DIMENSIONS: mm	TOLERANCES UNLESS OTHERWISE SPECIFIED: 0 PLC ±0.25 1 PLC ±0.25 2 PLC ±0.25 3 PLC ±0.25 4 PLC ± ANGLES ±	MODEL NAME MAGJACK STACK 4P0E	DESC 2X4, S9HTG08ET IOG 4P0E CIRCUIT PRESS FIT, WITH LIGHT PIPE	SIZE A1	
PRODUCT SPEC 108-104017	APPLICATION SPEC -	CAGE CODE 2250925		SCALE NTS	SHEET 2 OF 6 REV 1



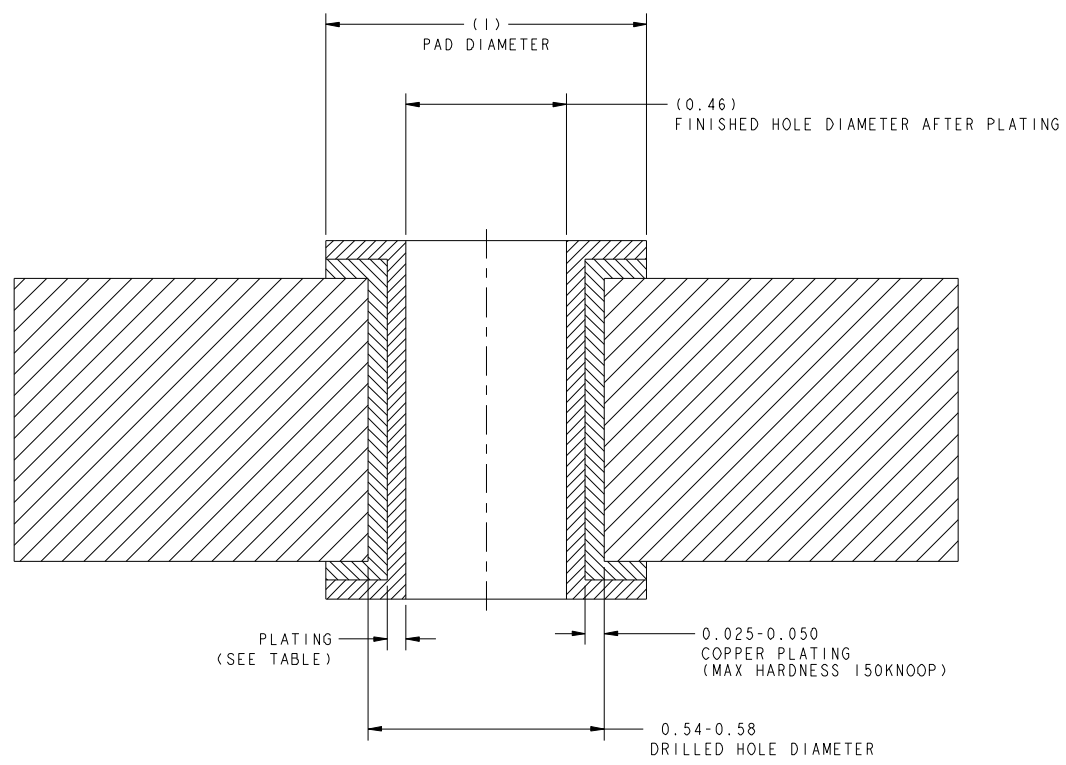
**RECOMMENDED PC BOARD LAYOUT  
 (VIEW FROM COMPONENT SIDE)**



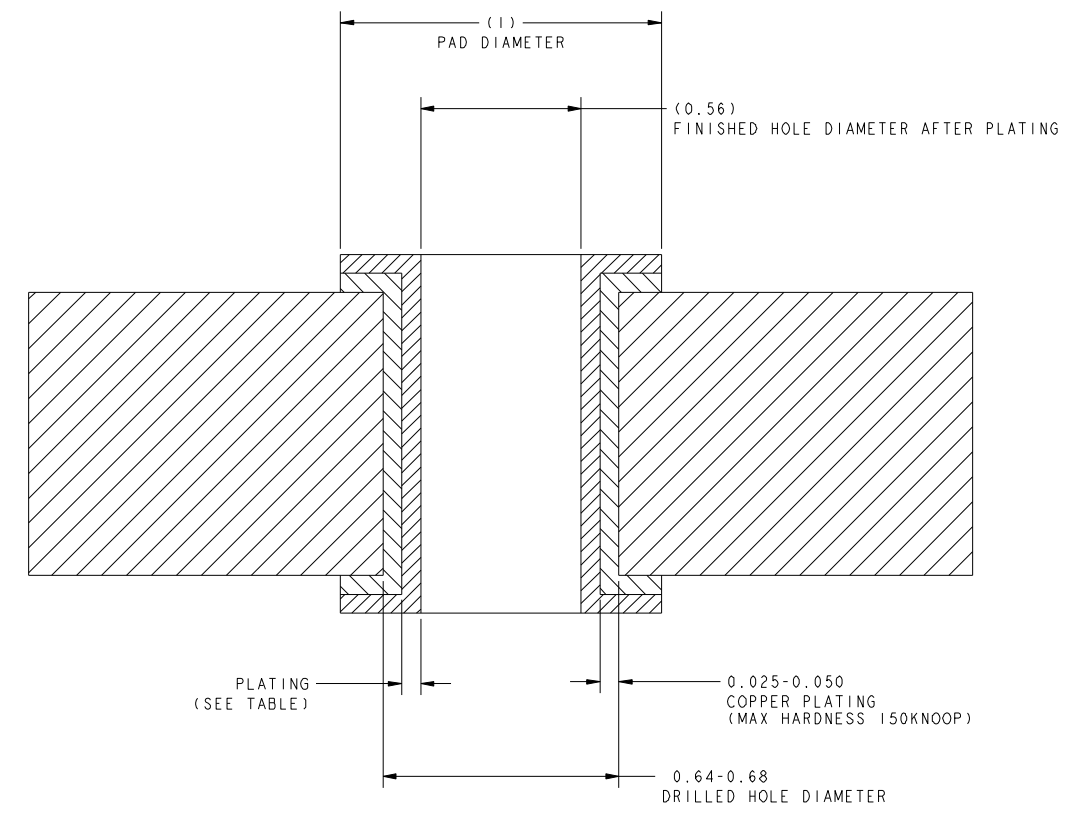
**THE SHADED AREA ON THE CUSTOMER BOARD ARE  
 RECOMMENDED TO BE CLEAR OF ANY VIA HOLE OR  
 COMPONENT PAD**



THIS DRAWING IS A CONTROLLED DOCUMENT. AND COMPLIANT TO ASME Y14.5M		DWN: CLOUD ZENG/TERRY LIN 19JUL2024 CHR: RICK LI/BILL LIU 19JUL2024 APD: TONY YUAN 19JUL2024		<b>trp CONNECTOR</b> DONGGUAN CHINA a bel group	
DIMENSIONS: mm	TOLERANCES UNLESS OTHERWISE SPECIFIED:	0 PLC ±0.25	1 PLC ±0.25	2 PLC ±0.25	3 PLC ±0.25
PRODUCT SPEC 108-104017	APPLICATION SPEC -	4 PLC ±0.25	ANGLES ±	MODEL NAME: MAGJACK STACK 4PPoE DESC: 2X4, S9HTG08ET IOG 4PPoE CIRCUIT PRESS FIT, WITH LIGHT PIPE SIZE: A1 CAGE CODE: DRAWING NO: C=2250925 RESTRICTED TO: - Customer Drawing SCALE: NTS SHEET 3 OF 6 REV 1	



**RECOMMENDED HOLE DIMENSIONS FOR SIGNAL & INNER SHIELD CONTACTS**



**RECOMMENDED HOLE DIMENSIONS FOR OUTER SHIELD CONTACTS**

THICKNESS	PLATING
0.004-0.010	HOT AIR SOLDER LEVELING (HASL) TIN-LEAD (Sn Pb)
0.0005-0.001	IMMERSION TIN (Sn)
0.0002-0.0005	ORGANIC SOLDERABILITY PRESERVATIVE (OSP)
0.0001-0.0005 Au, 0.004-0.0076 Ni	IMMERSION GOLD (Au) OVER NICKEL (Ni) (ENIG)
0.010-0.025	TIN LEAD PLATING (Sn Pb)
0.0001-0.00015	IMMERSION SILVER (Ag)

THIS DRAWING IS A CONTROLLED DOCUMENT. AND COMPLIANT TO ASME Y14.5M

DWN: CLOUD ZENG/TERRY LIN 19JUL2024  
 CHR: RICK LI/BILL LIU 19JUL2024  
 APJ: TONY YUAN 19JUL2024

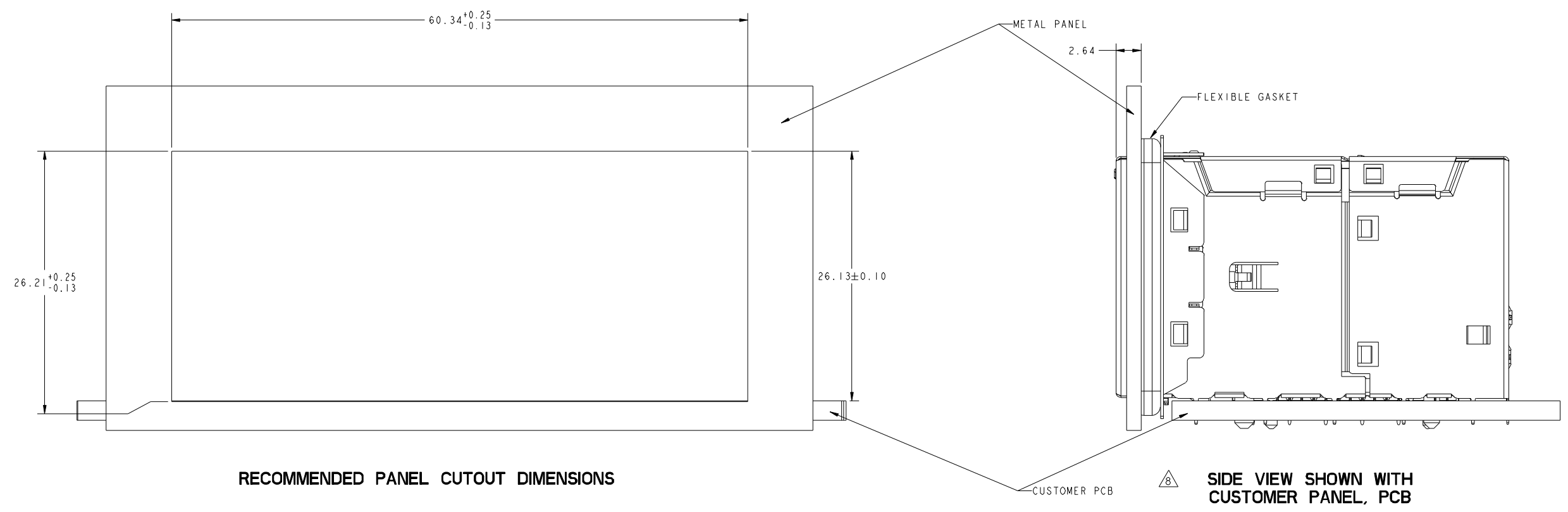
TRP CONNECTOR DONGGUAN CHINA

MODEL NAME: MAGJACK STACK 4PPoE  
 DESC: 2X4, S9HTG08ET IOG 4PPoE CIRCUIT PRESS FIT, WITH LIGHT PIPE

SIZE: A1 CAGE CODE: DRAWING NO: 2250925 RESTRICTED TO: -

PRODUCT SPEC: 108-104017 APPLICATION SPEC: -

Customer Drawing SCALE: NTS SHEET 4 OF 6 REV 1



THIS DRAWING IS A CONTROLLED DOCUMENT. AND COMPLIANT TO ASME Y14.5M		DWN CLOUD ZENG/TERRY LIN 19JUL2024	CHK RICK LI/BILL LIU 19JUL2024	APVD TONY YUAN 19JUL2024	DESC 2X4, S9HTG08ET 10G 4PPoE CIRCUIT PRESS FIT, WITH LIGHT PIPE
DIMENSIONS: mm	TOLERANCES UNLESS OTHERWISE SPECIFIED: 0 PLC ±0.25 1 PLC ±0.25 2 PLC ±0.25 3 PLC ±0.25 4 PLC ± ANGLES ±	MODEL NAME MAGJACK	SIZE A1	CAGE CODE C=2250925	RESTRICTED TO -
PRODUCT SPEC 108-104017	APPLICATION SPEC -	Customer Drawing	SCALE NTS	SHEET 5	OF 6



2250925					STOCK DISPOSITION			
2X4, S9HTG08ET 10G 4PPoE CIRCUIT, PRESS FIT, WITH LIGHT PIPE					A: CONTINUE AS IS      D: USE OLD FIRST B: REWORK                E: PARTS TO CONFORM C: SCRAP                 F: OTHER			
REVISION HISTORY								
DATE	REV	CHANGES	REASON	APPROVAL	INVENTORY (A,B,C,D,E,F)	WORK IN PROCESS (A,B,C,F)	SUPPLIER ORDERS (A,E,F)	OPEN CUST ORDERS (A,E,F)
19JUL2024	I	-	INITIAL RELEASE	TONY YUAN	-	-	-	-

THIS DRAWING IS A CONTROLLED DOCUMENT.  
AND COMPLIANT TO ASME Y14.5M

DIMENSIONS: mm	TOLERANCES UNLESS OTHERWISE SPECIFIED: 0 PLC ±0.25 1 PLC ±0.25 2 PLC ±0.25 3 PLC ±0.25 4 PLC ±0.25 ANGLES ±°	DWN CLOUD ZENG/TERRY LIN 19JUL2024 CHK RICK LI/BILL LIU 19JUL2024 APPD TONY YUAN 19JUL2024	DESC 2X4, S9HTG08ET 10G 4PPoE CIRCUIT PRESS FIT, WITH LIGHT PIPE
PRODUCT SPEC 108-104017	APPLICATION SPEC -	MODEL NAME MAGJACK STACK 4PPoE	SIZE A1

Customer Drawing      SCALE NTS      SHEET 6 OF 6      REV 1

