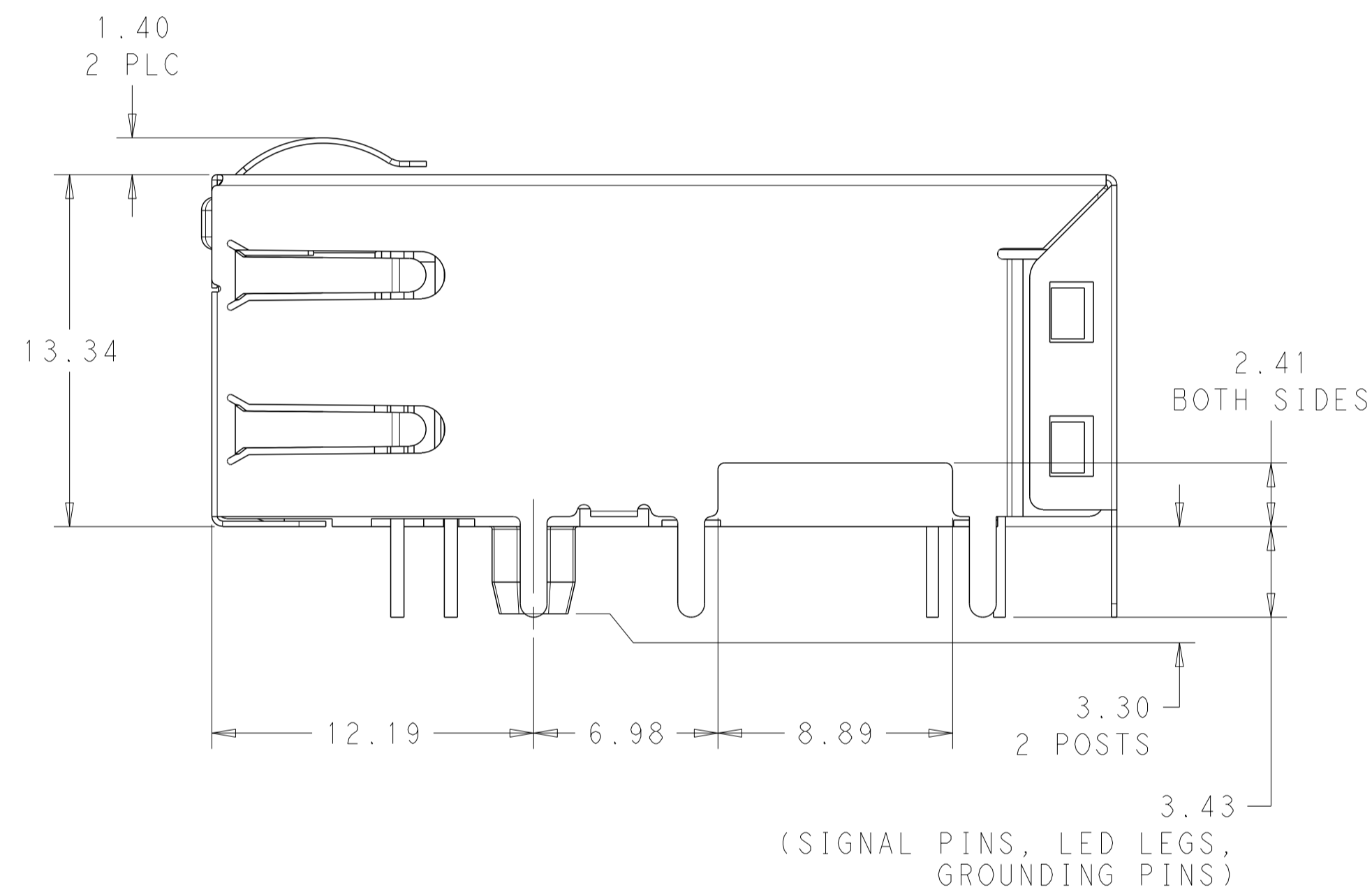
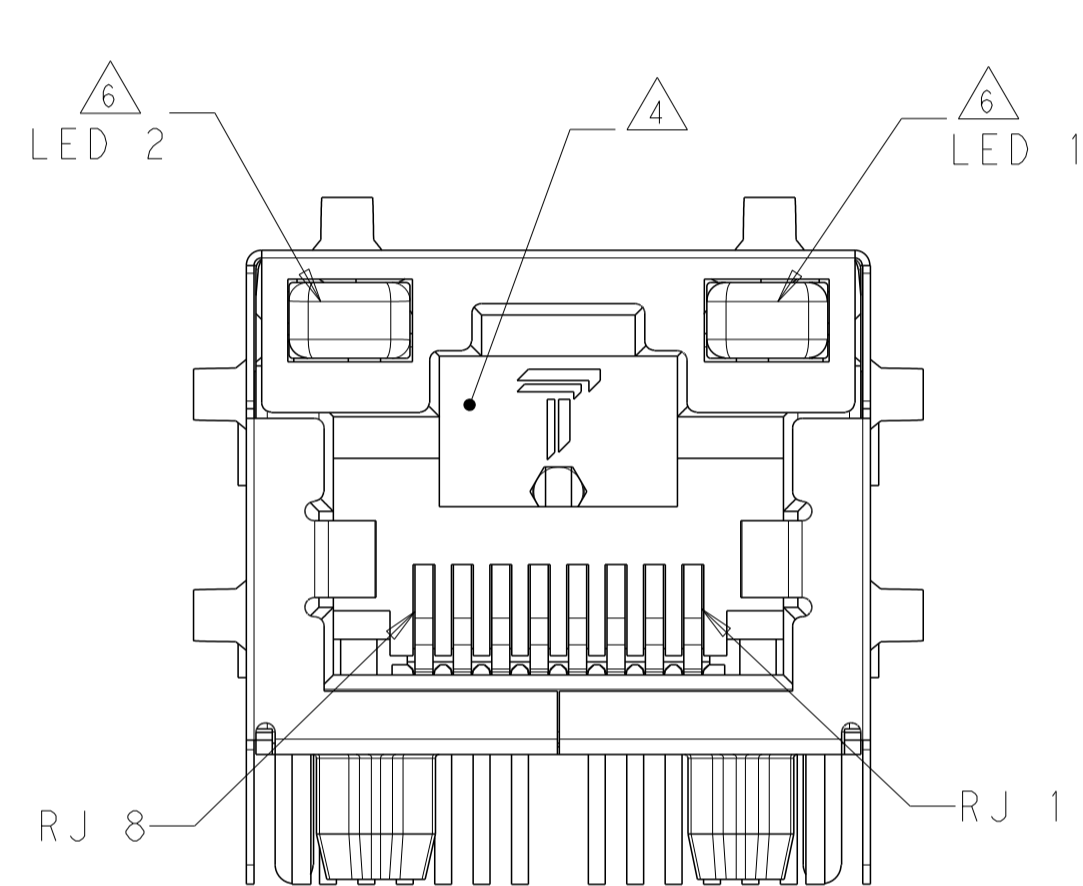
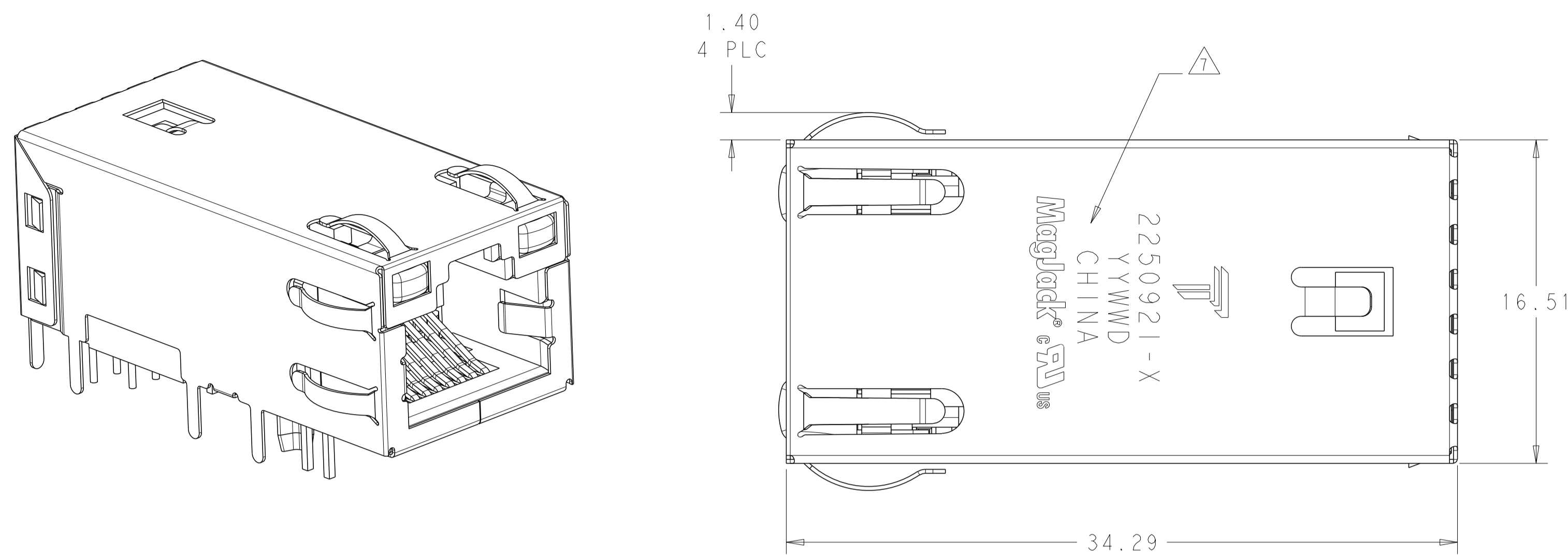


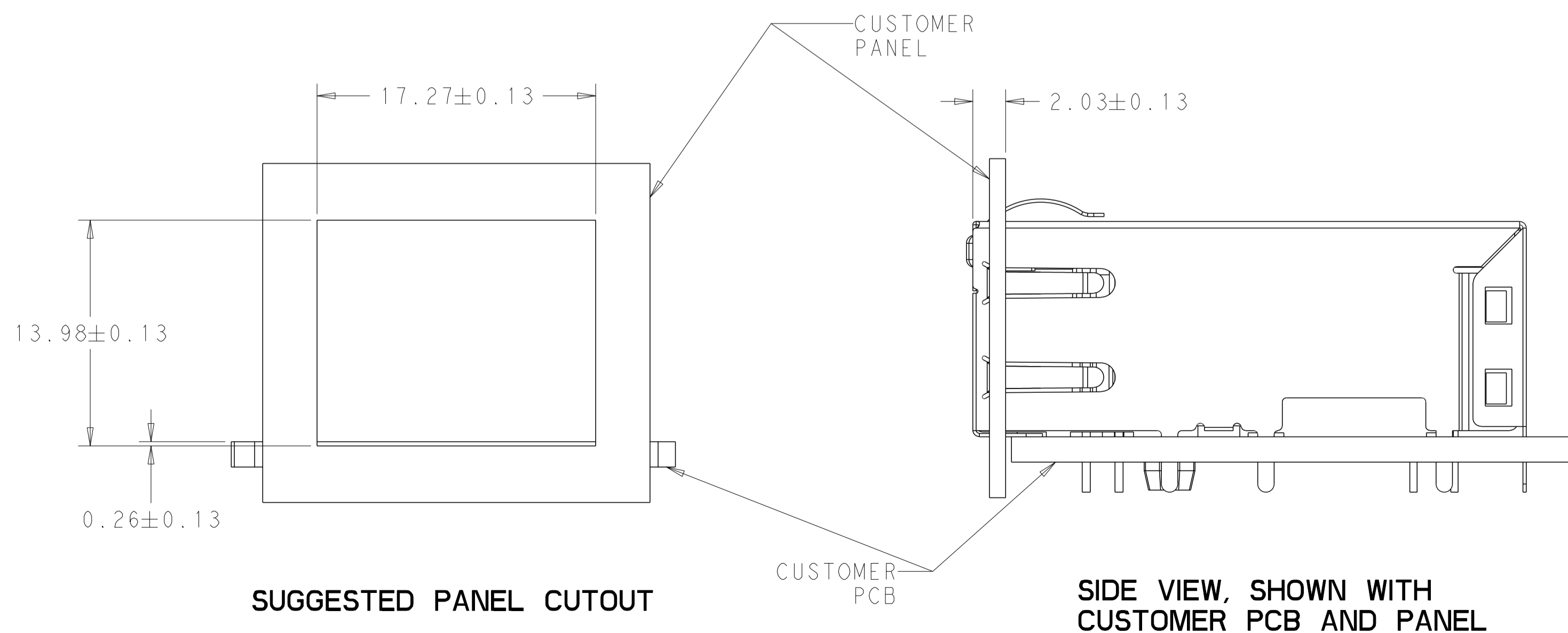
THIS DRAWING AND THE SUBJECT MATTER SHOWN THEREON ARE CONFIDENTIAL AND THE PROPERTY OF BEL/STEWART/TRP CONNECTOR AND SHALL NOT BE REPRODUCED, COPIED, OR USED IN ANY MANNER WITHOUT THE WRITTEN CONSENT OF TRP CONNECTOR.

PRODUCT MAY BE PROTECTED BY ONE OR MORE OF THE FOLLOWING US PATENTS:  
 5736910 5939955 6425781 6428361 6554638 6840817 7123117  
 7429195 7717749 7808751 6217391 6149050 7924130

REVISIONS			
#	DATE	DESCRIPTION	APPROVED
1	16 JUL 2024	INITIAL RELEASE	JY TY

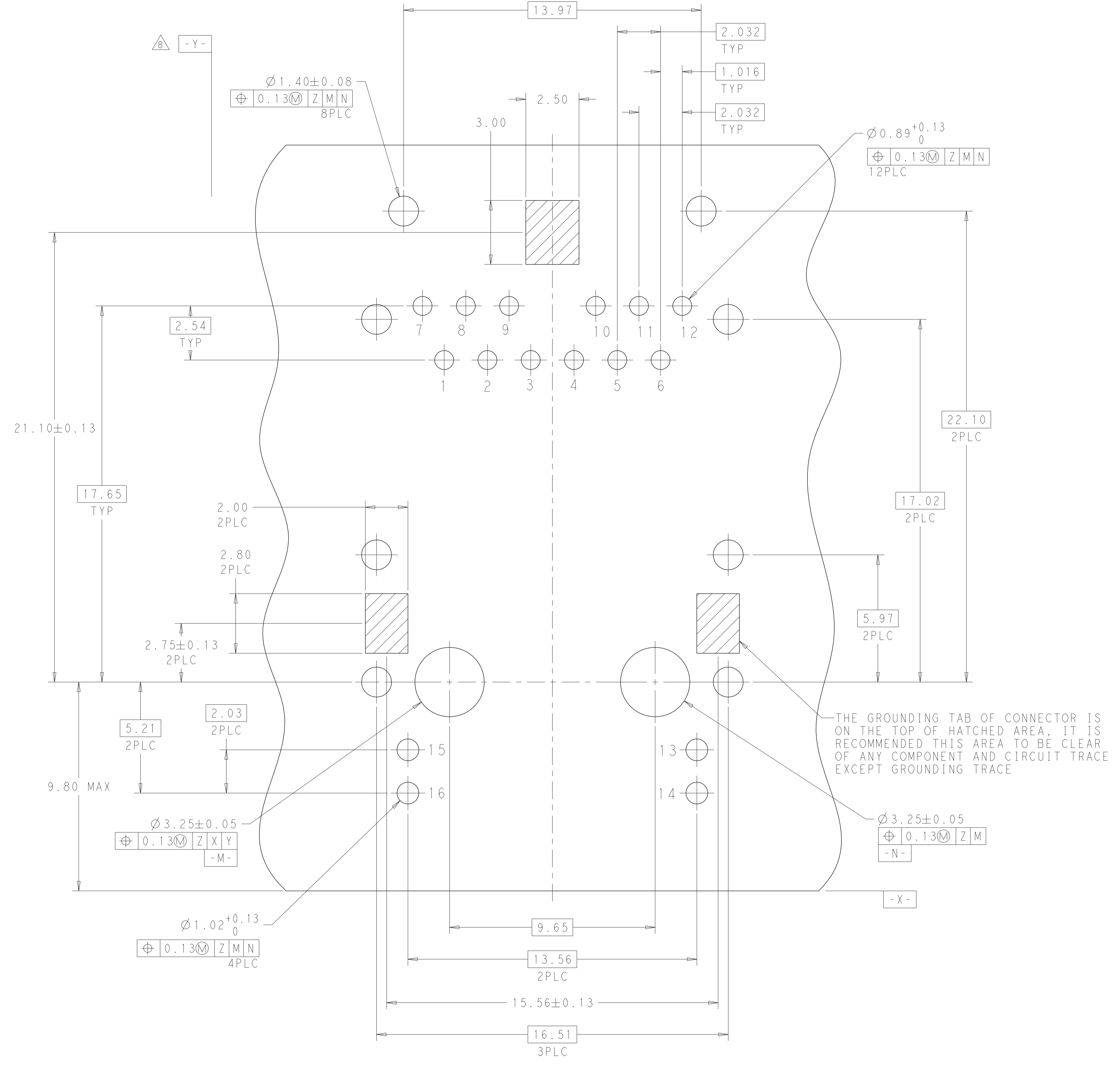


- MATERIALS:
  - HOUSING: THERMOPLASTIC, FLAMMABILITY, RATING UL 94V-0.
  - SHIELD: 0.20mm THICK, COPPER BASE ALLOY PREPLATED WITH 0.76um MIN BRIGHT NICKEL; ALL GROUND LEADS ARE SOLDER DIPPED.
  - MOD JACK CONTACTS: 0.3mm THICK, PHOSPHOR BRONZE, 1.27um MIN OVERALL NICKEL UNDERPLATE, WITH 1.27um MIN LOCALIZED GOLD PLATE AT CONTACT INTERFACE.
  - LIGHT EMITTING DIODE (LED): DIFFUSED EPOXY LENS, 0.5mm X 0.5mm CARBON STEEL WIREFRAME LEADS PREPLATED WITH 2.03um MIN. SILVER PLATE OVER 1.02um MIN. NICKEL OVER 1.02um MIN. COPPER UNDERPLATE; LEADS POST-PLATED WITH 2.54um MIN. MATTE TIN, AND TIP TIN DIPPING.
- MAGNETICS:
  - APPLICATION: 1G/10G BASE-T,
  - IMPEDANCE: 100 OHMS
  - TURNS RATIO (CHIP:CABLE): 1:1 ALL FOUR PAIRS
  - OPEN CIRCUIT INDUCTANCE (OCL): 160uH MIN @ 100kHz, 0.1VRMS FROM 0°C TO 70°C, ALL FOUR PAIRS
  - ALL FOUR PAIRS BI-DIRECTIONAL
  - PERFORMANCE @ 25°C: PLEASE REFER TO SEPERATE SHEET.
  - ISOLATION VOLTAGE: 2250VDC FOR 60 SECONDS WITH A RISE TIME OF 500V/SEC.
- OPERATING TEMPERATURE: FROM 0°C TO 70°C
- RJ45 JACK CAVITY CONFORMS TO FCC RULES AND REGULATIONS PART 68, SUB-PART F.
- ALL DIMENSIONS ARE NOMINAL UNLESS OTHERWISE NOTED.
- LED IS DRIVEN WITH CONSTANT CURRENT AT APPROX 20mA.
  - LED COLOR: DOMINANT WAVELENGTH (λD): GREEN 568 nm TYP. @ IF=20mA
  - FORWARD VOLTAGE (VF): GREEN 2.2V TYP. @ IF=20mA
  - DOMINANT WAVELENGTH (λD): YELLOW 588 nm TYP. @ IF=20mA
  - FORWARD VOLTAGE (VF): YELLOW 2.1V TYP. @ IF=20mA
  - CHROMATICITY COORDINATES: COOL WHITE X=0.28 TYP. Y=0.27 TYP. @ IF=20mA
  - FORWARD VOLTAGE (VF): COOL LIGHT 3.1V TYP. @ IF=20mA
- TRP CONNECTOR LOGO, PART NUMBER, DATE CODE, COUNTRY OF ORIGIN, AND AGENCY APPROVAL MARKING IN APPROXIMATE LOCATION SHOWN, DATE CODE: YYWWD WHERE YY IS YEAR, WW IS WORK WEEK, D IS DAY OF WEEK, WITH SUNDAY=1.
- DATUM Y AND BASIC DIMENSION ESTABLISH BY CUSTOMER.
- PART SHOULD BE RECOMMENDED FOR WAVE SOLDERING PROCESS, PEAK WAVE SOLDERING TEMPERATURE IS 260°C MAX, 10 SECONDS MAX.

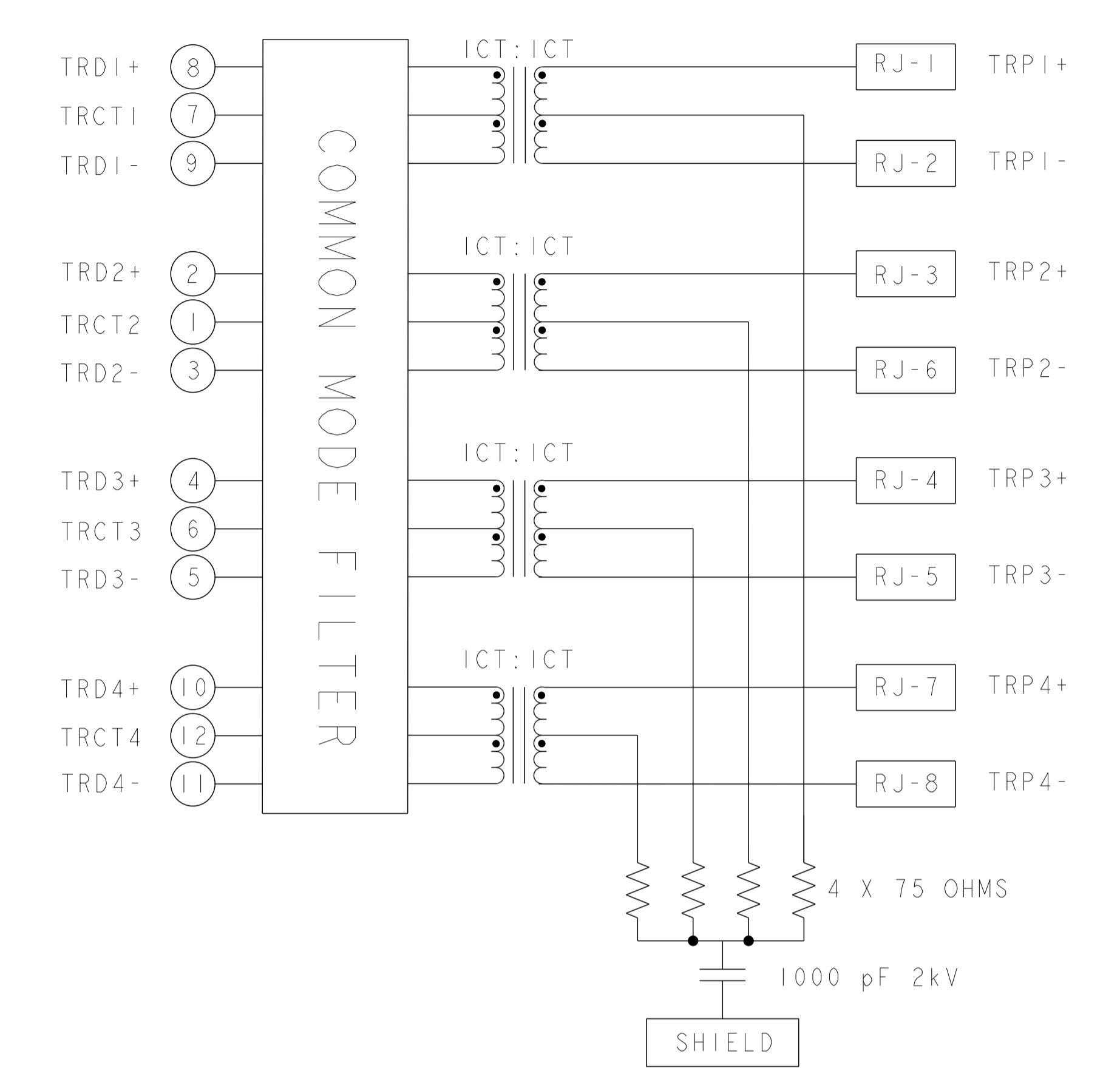


GREEN	YELLOW	GREEN	YELLOW	2250921-1
16-15	15-16	14-13	13-14	PART NUMBER
LED 2		LED 1		

THIS DRAWING IS A CONTROLLED DOCUMENT AND COMPLIANT TO ASME Y14.5M		DWN: JARRY YE / FRANK LIU CHK: TOWER YU / BILL LIU APVD: TONY YUAN DATE: 16 JUL 2024	DONGGUAN CHINA
DIMENSIONS:	TOLERANCES UNLESS OTHERWISE SPECIFIED:	MODEL NAME:	DESC:
mm	0 PLC ±0.25 1 PLC ±0.25 2 PLC ±0.25 3 PLC ±0.25 4 PLC ±0.25 ANGLES ±°	MAGJACK	1X1 7TG03P1 10G TAB UP, W/ LEDS
PRODUCT SPEC:	APPLICATION SPEC:	SIZE:	RESTRICTED TO:
108-104004	-	A1	-
CUSTOMER DRAWING		SCALE:	SHEET 1 OF 3 REV 1




7TG03PI IOG CIRCUIT



RECOMMENDED PCB FOOTPRINT  
 SHOWN FROM CONNECTOR SIDE

THIS DRAWING IS A CONTROLLED DOCUMENT. AND COMPLIANT TO ASME Y14.5M		OWN: JARRY YE / FRANK LIU 16 JUL 2024 CHK: TOWER YU / BILL LIU 16 JUL 2024 APP'D: TONY YUAN 16 JUL 2024	DONGGUAN CHINA a bel group
DIMENSIONS: mm	TOLERANCES UNLESS OTHERWISE SPECIFIED:	MODEL NAME: MAGJACK	
	0 PLC ±0.25 1 PLC ±0.25 2 PLC ±0.25 3 PLC ±0.25 4 PLC ± ANGLES ±°	DESC: 1X1 7TG03PI IOG TAB UP, W/ LEDS	RESTRICTED TO:
PRODUCT SPEC: 108-104004	APPLICATION SPEC: -	SIZE: A1 CAGE CODE: - DRAWING NO: C=2250921	SCALE: 5:1 SHEET: 2 OF 3 REV: 1
		CUSTOMER DRAWING	

C_2250921					STOCK DISPOSITION			
-					A:CONTINUE AS IS B:REWORK C:SCRAP		D:USE OLD FIRST E:PARTS TO CONFORM F:OTHER	
REVISION HISTORY								
DATE	REV	CHANGE	REASON	APPROVAL	INVENTORY (A,B,C,D,E,F)	WORK IN PROCESS (A,B,C,D)	SUPPLIER ORDERS (A,E,F)	OPEN CUST ORDERS (A,E,F)
16JUL2024	1	-	INITIAL RELEASE	TONY YUAN	-	-	-	-

THIS DRAWING IS A CONTROLLED DOCUMENT. AND COMPLIANT TO ASME Y14.5M		OWN JARRY YE / FRANK LIU 16 JUL 2024	 <b>trp</b> CONNECTOR a bel group	DONGGUAN CHINA
DIMENSIONS: mm		CHK TOWER YU/ BILL LIU 16 JUL 2024		
TOLERANCES UNLESS OTHERWISE SPECIFIED:		APP'D TONY YUAN 16 JUL 2024	MODEL NAME MAGJACK	
0 PLC ±0.25 1 PLC ±0.25 2 PLC ±0.25 3 PLC ±0.25 4 PLC ±0.25 ANGLES ±°		DESC IX1 7TG03P1 10G TAB UP, W/ LEDS		
PRODUCT SPEC 108-104004		SINGLE NON-POE		RESTRICTED TO -
APPLICATION SPEC -		CUSTOMER DRAWING		SCALE 5:1 SHEET 3 OF 3 REV 1