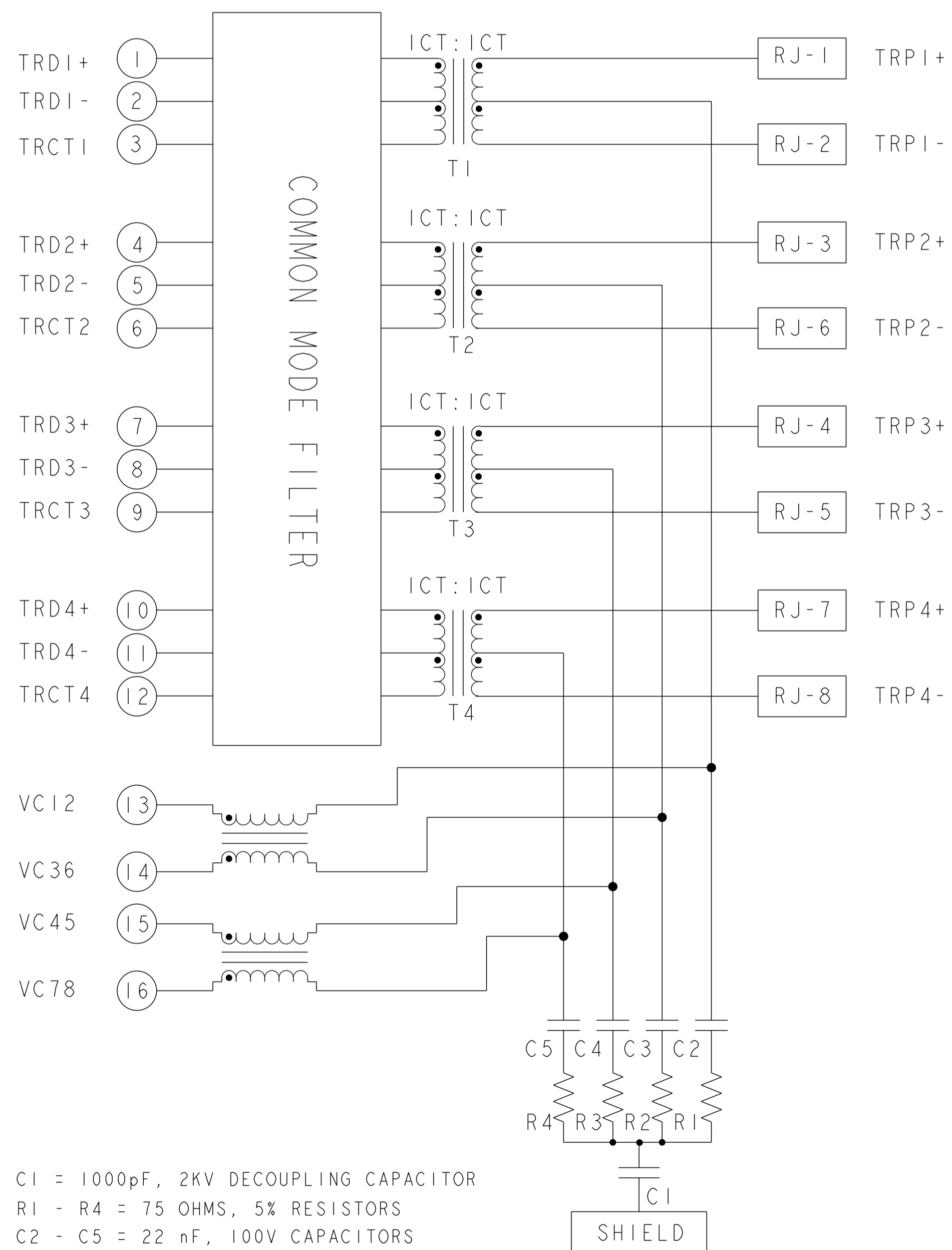


2250749-1

S9HTG07 10G 4PPoE CIRCUIT



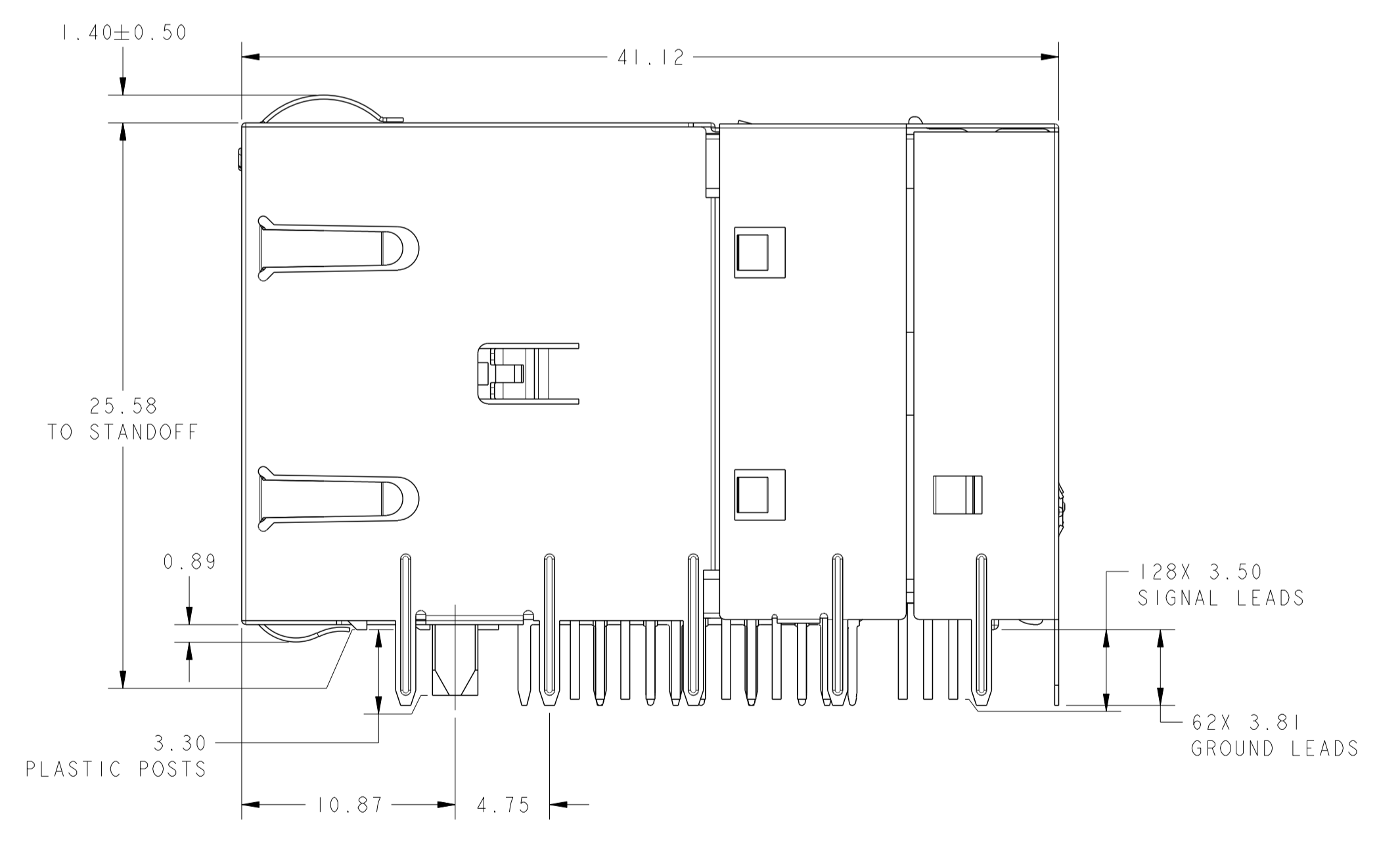
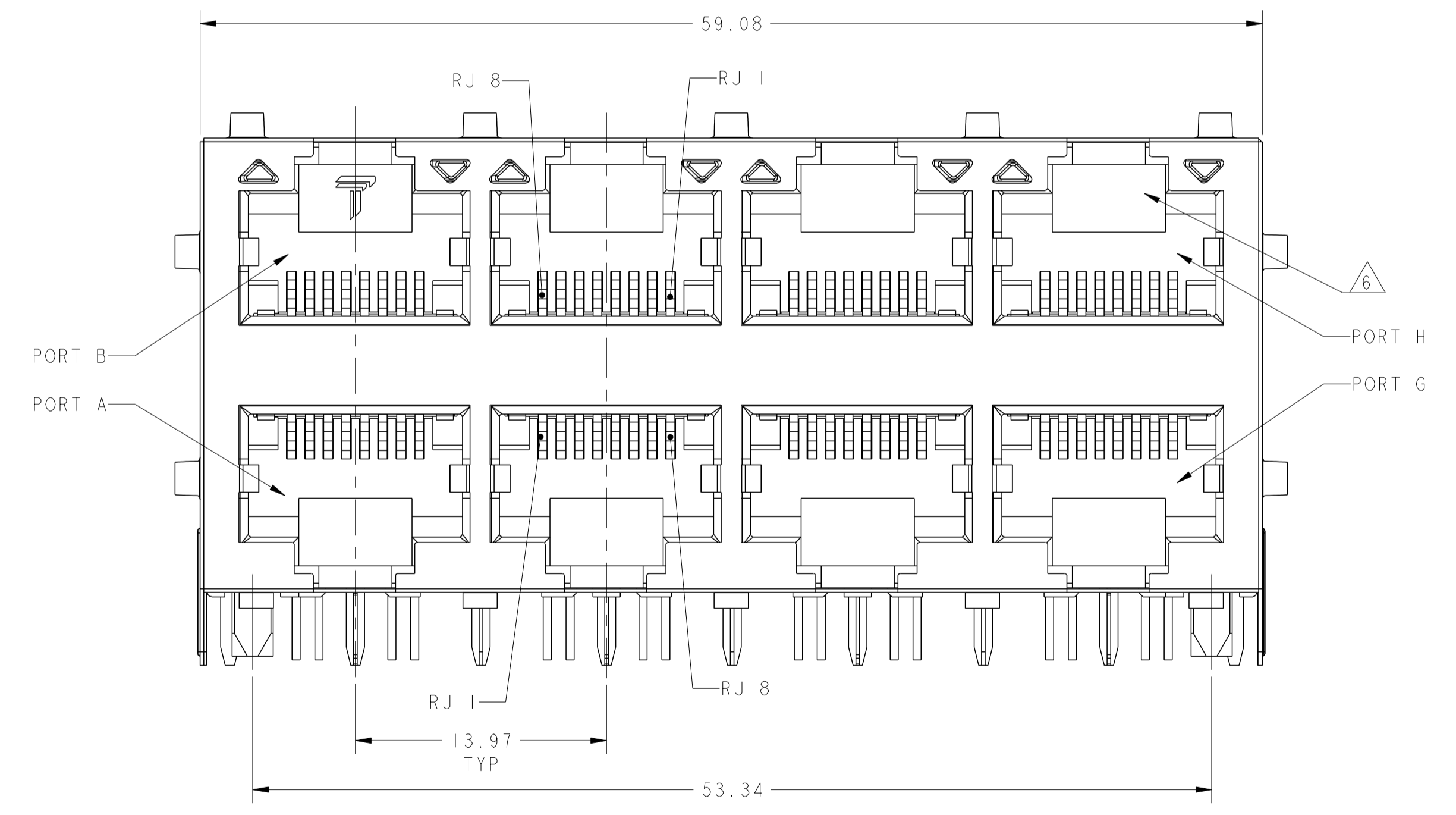
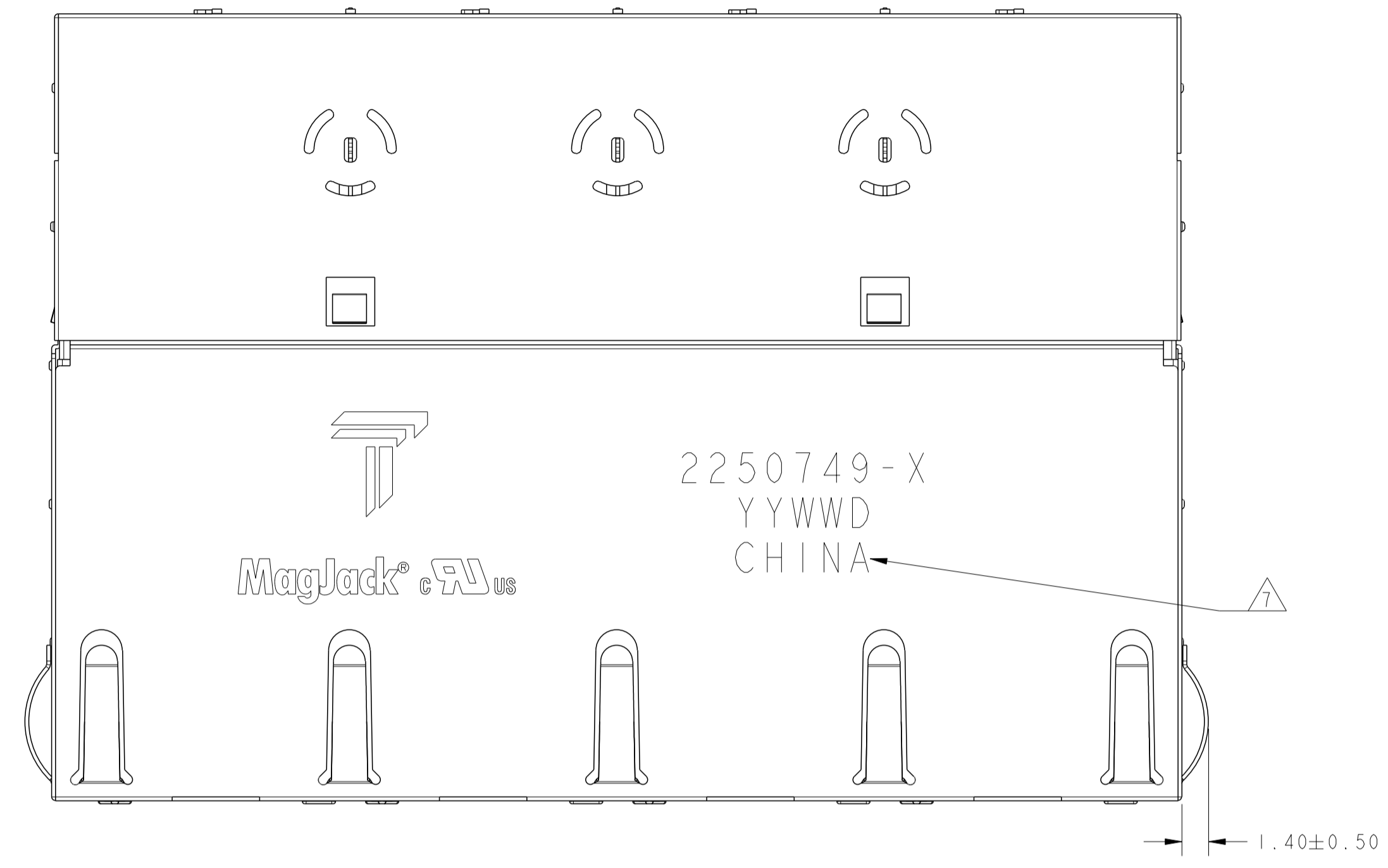
C1 = 1000pF, 2KV DECOUPLING CAPACITOR
 R1 - R4 = 75 OHMS, 5% RESISTORS
 C2 - C5 = 22 nF, 100V CAPACITORS

1. MATERIALS
 HOUSING: THERMOPLASTIC, BLACK, FLAMMABILITY RATING UL 94V-0
 SHIELD: NICKEL PLATED ON COPPER ALLOY (ALL GROUND LEADS ARE SOLDER DIPPED)
 CONTACT: PHOSPHOR BRONZE, WITH 1.27um MIN OVERALL NICKEL UNDERPLATE AND SELECTIVE 1.27um MIN GOLD PLATING AT MATING INTERFACE

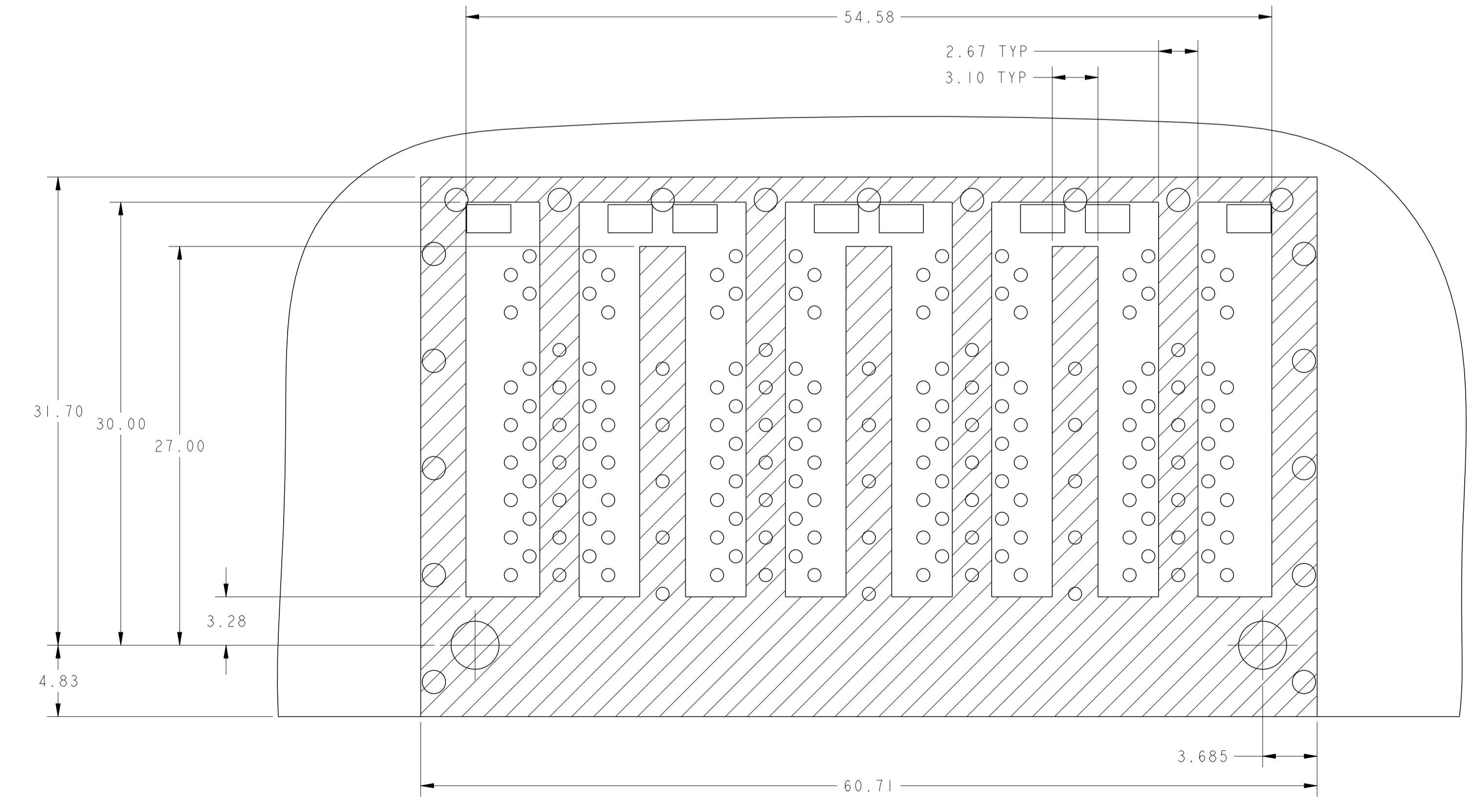
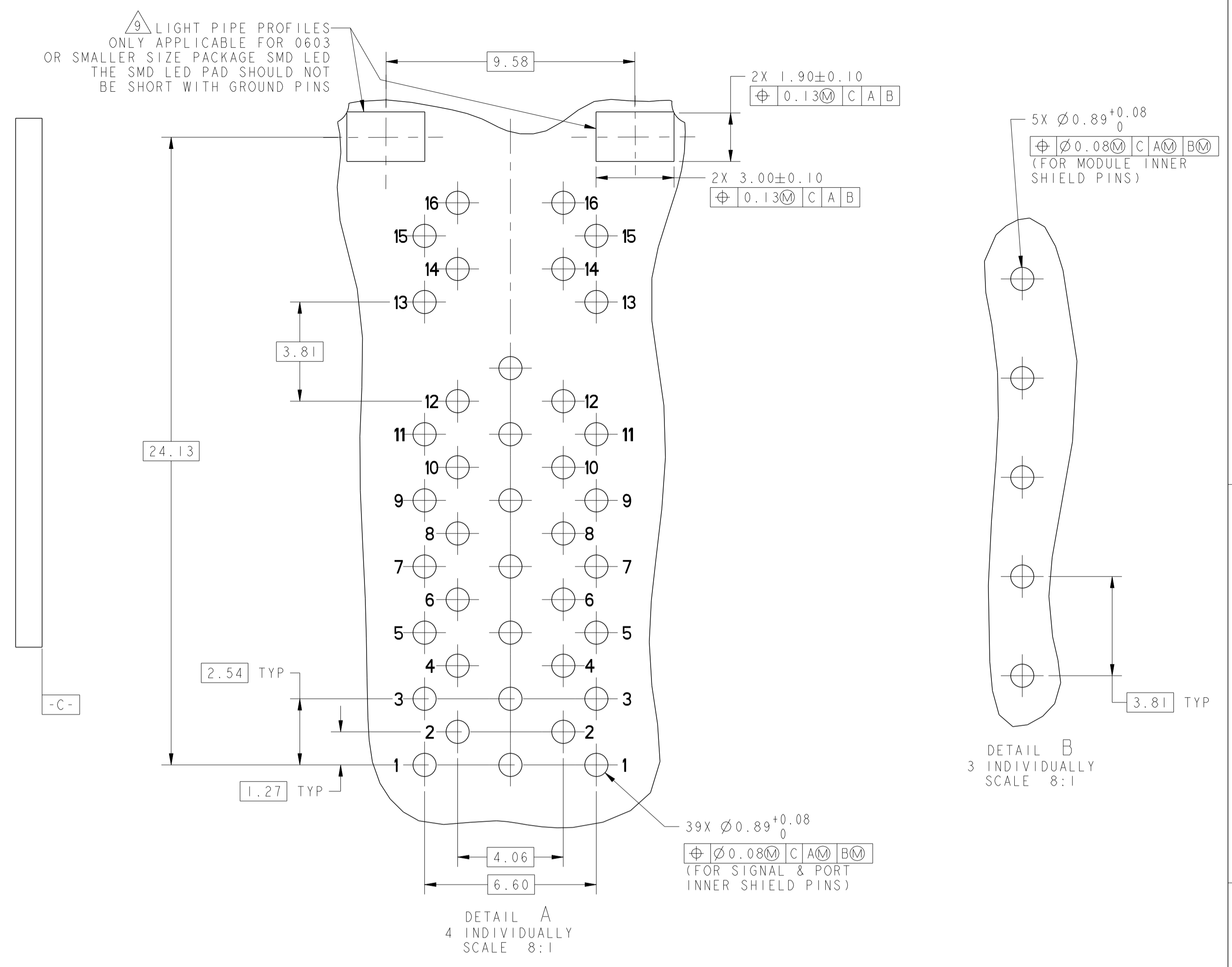
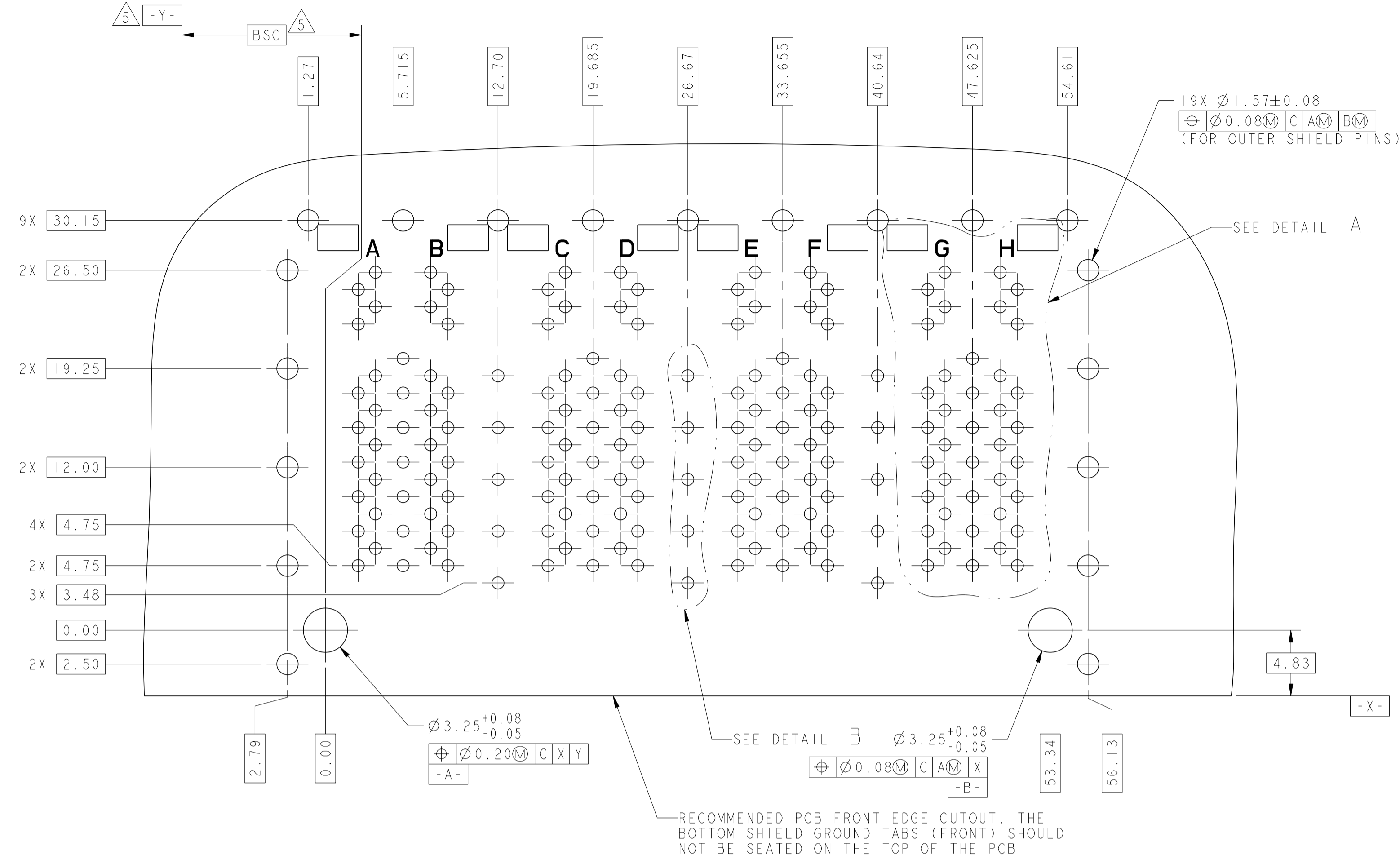
- 2. MAGNETICS
 - APPLICATION: 1G/10G BASE-T, 4PPoE
 - IMPEDANCE: 100 OHMS
 - TURNS RATIO (CHIP:CABLE): 1:1 ALL FOUR PAIRS
 - OPEN CIRCUIT INDUCTANCE (OCL): 160uH MIN @ 100kHz, 0.1VRMS, ALL FOUR PAIRS, 120uH MIN @ 100kHz, 0.1VRMS, 19mA DC BIAS, ALL FOUR PAIRS.
 - ALL FOUR PAIRS BI-DIRECTIONAL
 - PoE CURRENT: 600mA DC MAX
 - PERFORMANCE @ 25°C, PLEASE REFER TO SEPARATED SHEET.
 - ISOLATION VOLTAGE: 2250VDC FOR 60 SECONDS WITH A RISE TIME OF 500V/SEC, WITH ALL PORTS CONNECTED.
- 3. THE MAGNETIC CIRCUIT ON ALL FOUR CHANNELS IS SYMMETRICAL AND SUPPORTS AUTO-MDIX OPERATION.
- 4. OPERATING TEMPERATURE: 0°C - 70°C.
- 5. DATUM Y AND BASIC DIMENSION ESTABLISHED BY CUSTOMER.
- 6. RJ45 CAVITY CONFORMS TO FCC RULES AND REGULATION PART 68 SUBPART F.
- 7. TRP CONNECTOR LOGO, PART NUMBER, DATE CODE, COUNTRY OF ORIGIN, AGENCY APPROVAL MARKING IN APPROPRIATE LOCATION SHOWN.
 DATE CODE: YYWW WHERE "YY" IS YEAR, "WW" IS WORK WEEK, "D" IS DAY OF WEEK, WITH SUNDAY= 1
- 8. PART SHOULD BE RECOMMENDED FOR WAVE SOLDERING PROCESS, PEAK TEMPERATURE 260°C MAX, 10 SECONDS MAX.
- 9. THE FINISHED GOODS IS WITHOUT SMD LED, THE SMD LED IS PROVIDED BY CUSTOMER HERSELF, AND THE SMD LED IS MOUNTED ON CUSTOMER PCB.

2250749-1
 PART NUMBER

THIS DRAWING IS A CONTROLLED DOCUMENT. AND COMPLIANT TO ASME Y14.5M		OWN: JARRY YE / YI LIU CHK: TOWER YU / BILL LIU APP'D: TONY YUAN	DATE: 01MAR2021 DATE: 01MAR2021 DATE: 01MAR2021	DONGGUAN CHINA a bel group
DIMENSIONS: mm	TOLERANCES UNLESS OTHERWISE SPECIFIED:	MODEL NAME	DESC	
0 PLC ±0.25 1 PLC ±0.25 2 PLC ±0.25 3 PLC ± 4 PLC ± ANGLES ± APPLICATION SPEC ±		MAGJACK STACK 4PPoE	2X4, S9HTG07 10G 4PPOE 60W WITHOUT LED	
PRODUCT SPEC: 108-104004		SIZE: A1	CAGE CODE: C=2250749	RESTRICTED TO: -
CUSTOMER DRAWING			SCALE: NTS	SHEET 1 OF 5 REV 1

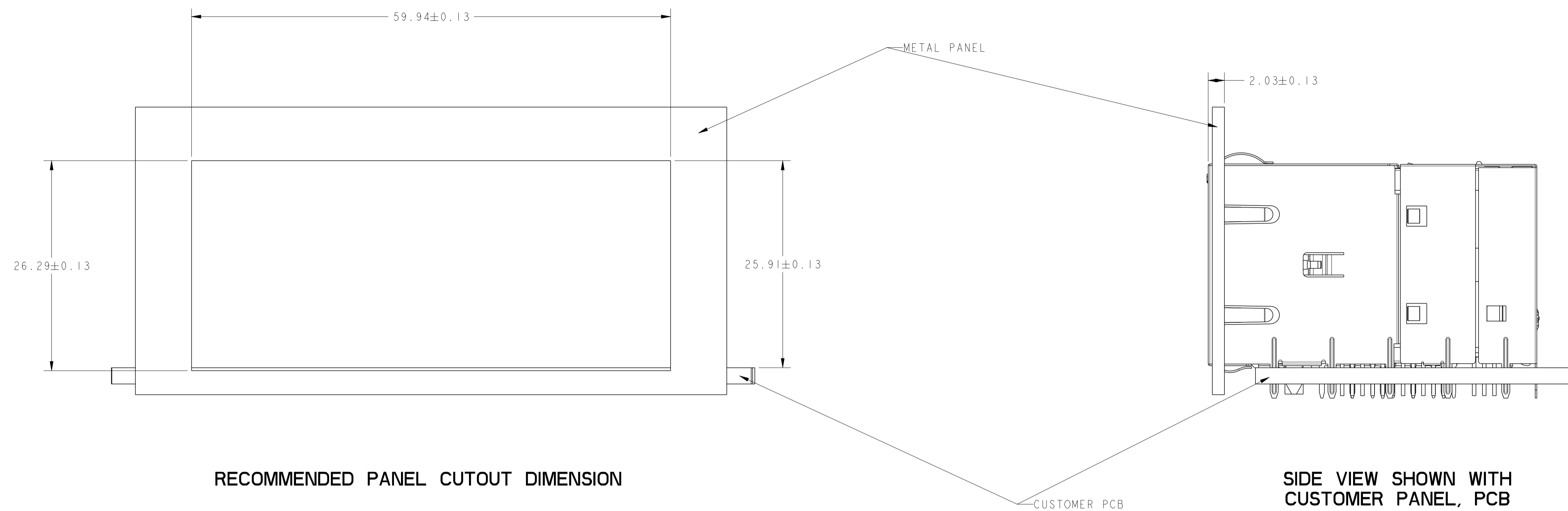


THIS DRAWING IS A CONTROLLED DOCUMENT. AND COMPLIANT TO ASME Y14.5M		DWN JARRY YE / YI LIU CHN TOWER YU / BILL LIU APVD TONY YUAN DIMAR2021 DIMAR2021 DIMAR2021	trp CONNECTOR a bel group DONGGUAN CHINA
DIMENSIONS: mm 	TOLERANCES UNLESS OTHERWISE SPECIFIED: 0 PLC ±0.25 1 PLC ±0.25 2 PLC ±0.25 3 PLC ± 4 PLC ± ANGLES ± APPLICATION SPEC ±	MODEL NAME MAGJACK STACK 4PPoE	
PRODUCT SPEC 108-104004		SIZE A1 CAGE CODE DRAWING NO C=2250749	RESTRICTED TO SCALE NTS SHEET 2 OF 5 REV 1



THE SHADED AREA ON THE CUSTOMER BOARD ARE RECOMMENDED TO BE CLEAR OF ANY VIA HOLE OR COMPONENT PAD

THIS DRAWING IS A CONTROLLED DOCUMENT. AND COMPLIANT TO ASME Y14.5M		OWN: JARRY YE / YI LIU CHK: TOWER YU / BILL LIU APP'D: TONY YUAN	DIMAR2021 DIMAR2021 DIMAR2021	trp CONNECTOR DONGGUAN CHINA a bel group
DIMENSIONS: mm	TOLERANCES UNLESS OTHERWISE SPECIFIED:	MODEL NAME: MAGJACK	DESC: 2X4, S9HTG07 10G 4PPOE 60W WITHOUT LED	
0 PLC ± 0.25 1 PLC ± 0.25 2 PLC ± 0.25 3 PLC ± 0.25 4 PLC ± 0.25 ANGLES \pm APPLICATION SPEC \pm	PRODUCT SPEC: 108-104004	SIZE: A1	CAGE CODE: C=2250749	RESTRICTED TO: -
CUSTOMER DRAWING		SCALE: NTS	SHEET: 3 OF 5	REV: 1




RECOMMENDED PANEL CUTOUT DIMENSION

SIDE VIEW SHOWN WITH CUSTOMER PANEL, PCB

THIS DRAWING IS A CONTROLLED DOCUMENT. AND COMPLIANT TO ASME Y14.5M		OWN: JARRY YE / YI LIU CHK: TOWER YU / BILL LIU APP'D: TONY YUAN	DIMAR2021 DIMAR2021 DIMAR2021	 DONGGUAN CHINA
DIMENSIONS: mm	TOLERANCES UNLESS OTHERWISE SPECIFIED:	MODEL NAME: MAGJACK DESC: 2X4, S9HTG07 10G 4PPOE 60W WITHOUT LED		
0 PLC ± 0.25 1 PLC ± 0.25 2 PLC ± 0.25 3 PLC \pm 4 PLC \pm ANGLES \pm APPLICATION SPEC \pm	PRODUCT SPEC: 108-104004 APPLICATION SPEC: -	SIZE: A1 CAGE CODE: C=2250749 DRAWING NO: CUSTOMER DRAWING	RESTRICTED TO: - SCALE: NTS SHEET: 4 OF 5 REV: 1	

2250749					STOCK DISPOSITION			
2X4, S9HTG07 10G 4PPOE 60W WITHOUT LED					A: CONTINUE AS IS		D: USE OLD FIRST	
					B: REWORK		E: PARTS TO CONFORM	
REVISION HISTORY					C: SCRAP		F: OTHER	
DATE	REV	CHANGES	REASON	APPROVAL	INVENTORY (A,B,C,D,E,F)	WORK IN PROCESS (A,B,C,F)	SUPPLIER ORDERS (A,E,F)	OPEN CUST ORDERS (A,E,F)
01MAR2021	I	-	INITIAL RELEASE	TY	-	-	-	-

THIS DRAWING IS A CONTROLLED DOCUMENT. AND COMPLIANT TO ASME Y14.5M		DWN: JARRY YE / YI LIU CHK: TOWER YU / BILL LIU APP'D: TONY YUAN		01MAR2021 01MAR2021 01MAR2021		 trp CONNECTOR a bel group DONGGUAN CHINA	
DIMENSIONS: mm		TOLERANCES UNLESS OTHERWISE SPECIFIED:		MODEL NAME		DESC	
0 PLC ±0.25 1 PLC ±0.25 2 PLC ±0.25 3 PLC ± 4 PLC ± ANGLES ± APPLICATION SPEC ±		0 PLC ±0.25 1 PLC ±0.25 2 PLC ±0.25 3 PLC ± 4 PLC ± ANGLES ± APPLICATION SPEC ±		MAGJACK STACK 4PPOE		2X4, S9HTG07 10G 4PPOE 60W WITHOUT LED	
PRODUCT SPEC 108-104004		APPLICATION SPEC		SIZE A1		CAGE CODE C=2250749	
CUSTOMER DRAWING				SCALE NTS		SHEET 5 OF 5 REV 1	