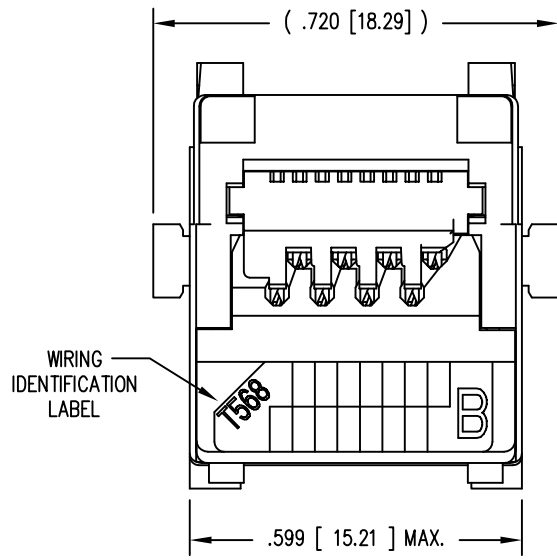
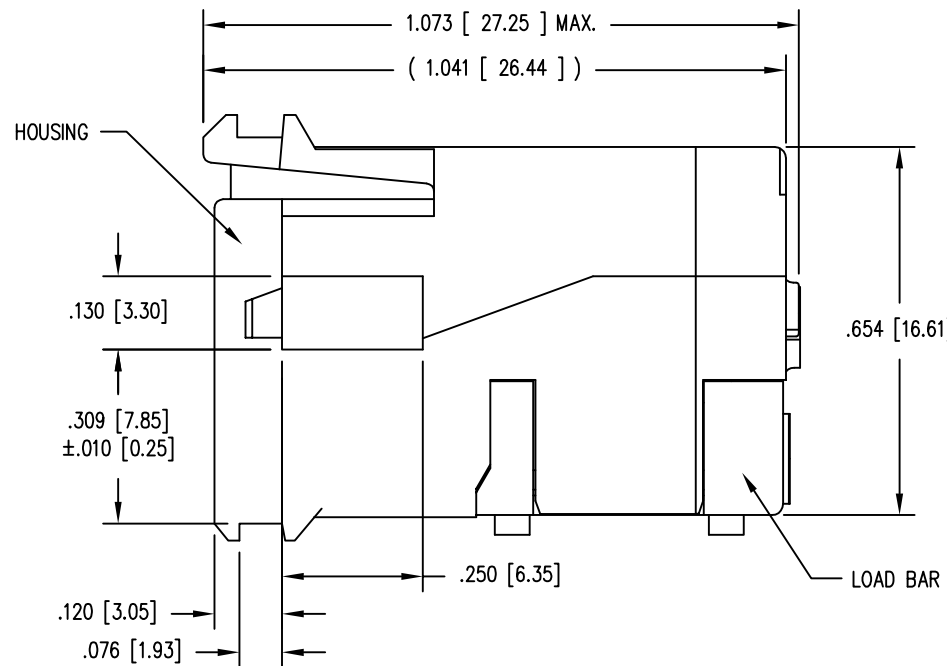
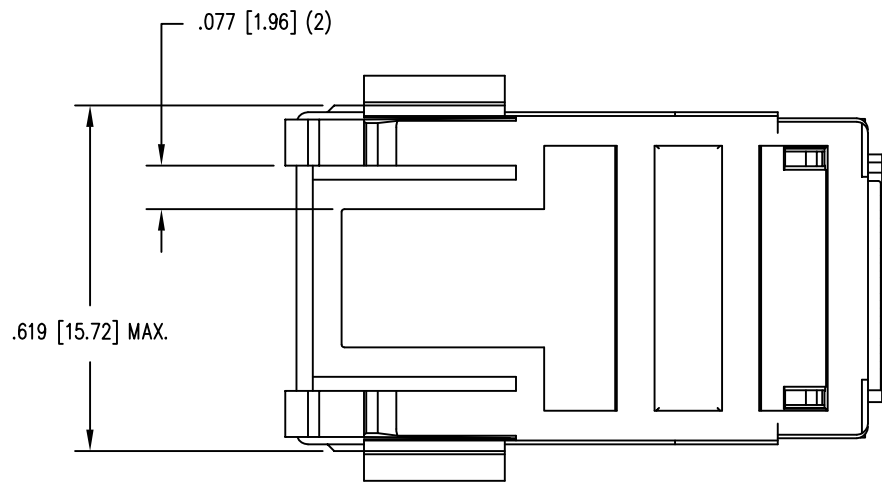
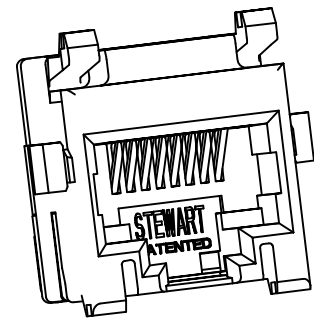
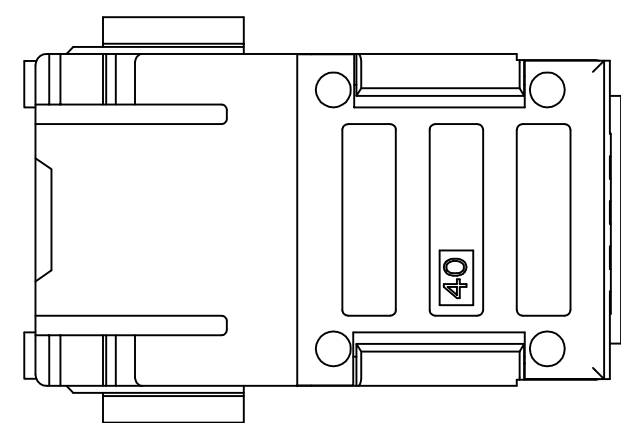
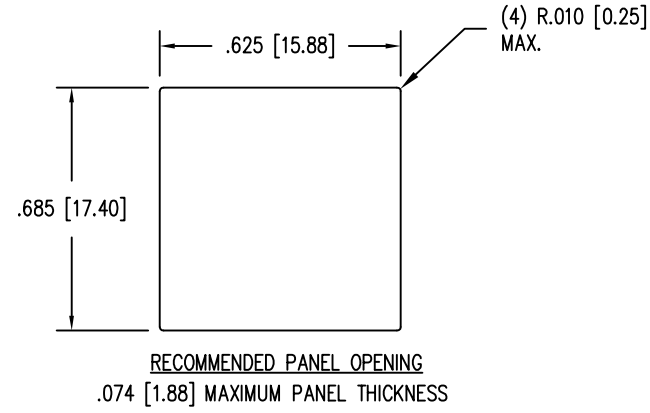


| DATE | REV | ECN | APP'D. BY |
|---------|-----|-------|-----------|
| 3-29-16 | A9 | 10646 | TRM |
| 11-8-16 | A10 | 10815 | TRM |
| | | | |



- NOTES:
- CONNECTOR MATERIALS:
HOUSING: THERMOPLASTIC UL94 V-0
CONTACTS: COPPER ALLOY
CONTACT PLATING: SELECTIVE GOLD IN CONTACT AREA
SEE CHART FOR PART NUMBER
 - JACK SPECIFICATION: FOR CATEGORY 5E APPLICATIONS.
 - DIMENSIONS AND TOLERANCES COMPLY WITH TIA-1096 STANDARD.
 - BEZELS AVAILABLE - DATA, VOICE
 - WIRE RANGE 26 TO 24 AWG [0.41 - 0.51]
 - WIRE INSULATION DIA RANGE .036 - .042 [0.91 - 1.07]
 - SUITABLE FOR GIGA-BIT ETHERNET APPLICATIONS
 - FOR PRODUCT SPECIFICATION SEE PR026-01

| | |
|-----------------------------------|--------------|
| 50 MICRO-INCHES [1.27um] | SS-82000-002 |
| CONTACT PLATING IN MATING AREA | PART NUMBER |



| | | | |
|--|--|---|-------------|
| THIRD ANGLE PROJECTION | | 1118 Susquehanna Trail South Glen Rock, PA 17327-9199 (717) 235-7512 http://www.stewartconnector.com | |
| DO NOT SCALE DRAWING DRAWING IS SUBJECT TO CHANGE WITHOUT NOTICE | | TITLE: CABLE READY CAT5e JACK (SHOWN IN TERMINATED CONDITION) | |
| DIMENSIONS: INCHES [METRIC] | THIS DRAWING AND THE SUBJECT MATTER SHOWN THEREON ARE CONFIDENTIAL AND THE PROPRIETARY PROPERTY OF STEWART CONNECTOR AND SHALL NOT BE REPRODUCED, COPIED, OR USED IN ANY MANNER WITHOUT PRIOR WRITTEN CONSENT OF STEWART CONNECTOR. ONE OR MORE U.S. PATENTS MAY APPLY TO THIS PRODUCT. FOR DETAILS, PLEASE VISIT: HTTP://BELFUSE.COM/STEWART/STEWART_PATENTS/ | DRN BY: DAB | DATE 3-3-99 |
| UNLESS OTHERWISE SPECIFIED TOLERANCES ARE ±.005 [0.13] ANGLES ARE ± 1° | | APPD BY: RGC | DATE 3-3-99 |
| SHEET NO. 1 OF 1 | | DWG NO. CT820004 | REV. A10 |