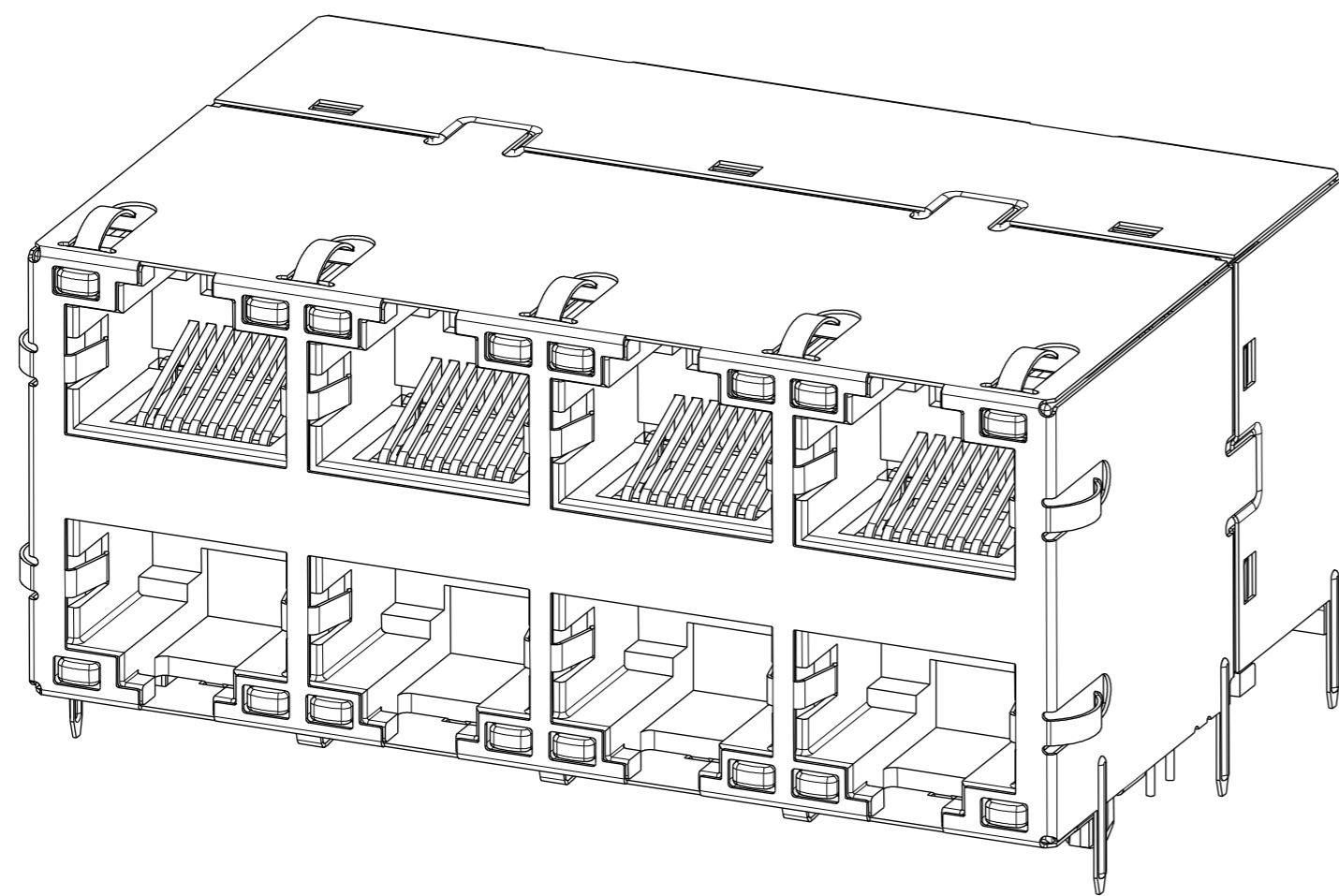


THIS DRAWING AND THE SUBJECT MATTER SHOWN THEREON ARE CONFIDENTIAL AND THE PROPERTY OF BEL/STEWART/TRP CONNECTOR AND SHALL NOT BE REPRODUCED, COPIED, OR USED IN ANY MANNER WITHOUT THE WRITTEN CONSENT OF TRP CONNECTOR.

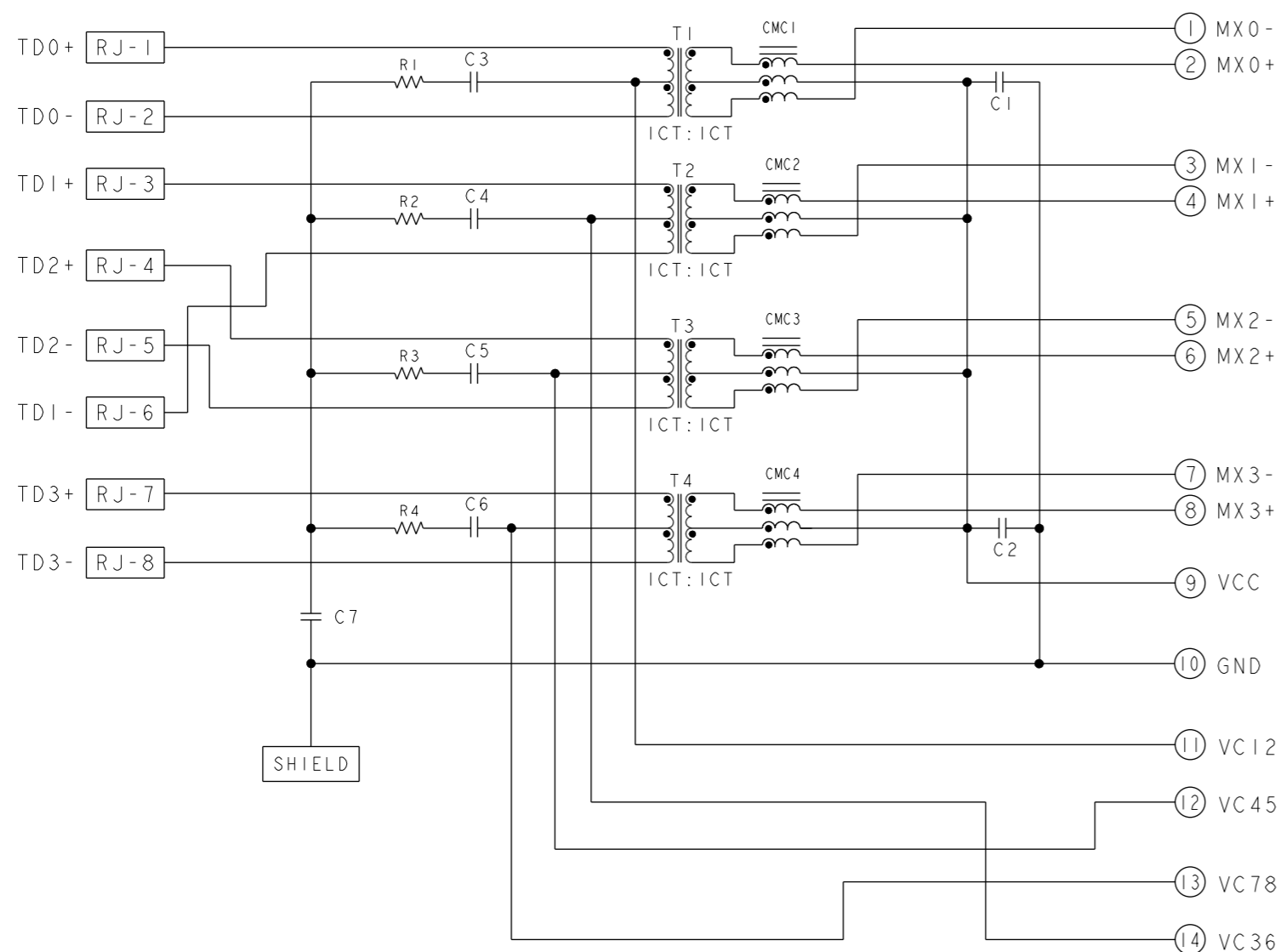
PRODUCT MAY BE PROTECTED BY ONE OR MORE OF THE FOLLOWING US PATENTS:
 5736910 5939955 6425781 6428361 6554638 6840817 7123117
 7429195 7717749 7808751 6217391 6149050 7924130

REVISIONS				
P	LYR	DESCRIPTION	DATE	APPV
2		SEE FINAL SHEET	22AUG2017	RL TY




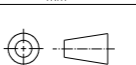
S9UFG02ET 5G 4PPOE CIRCUIT

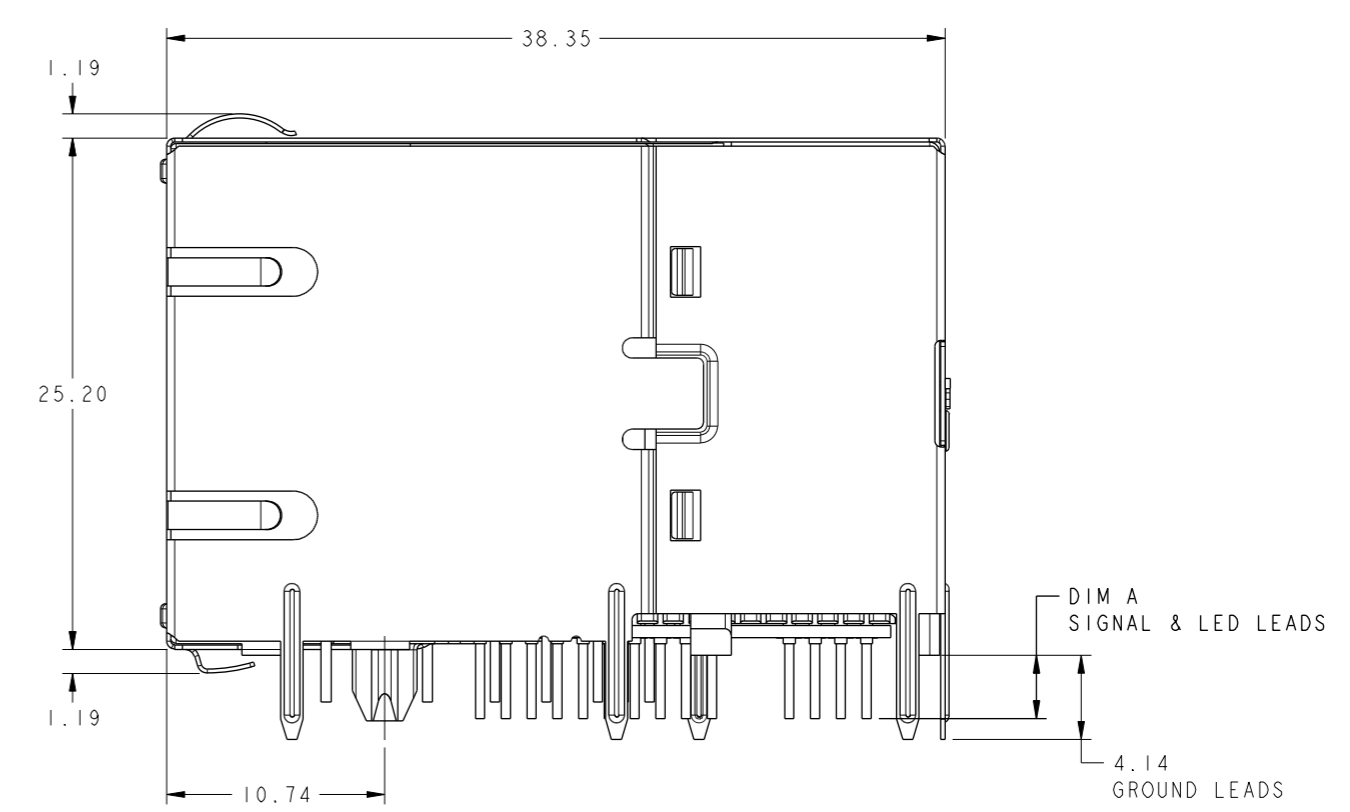
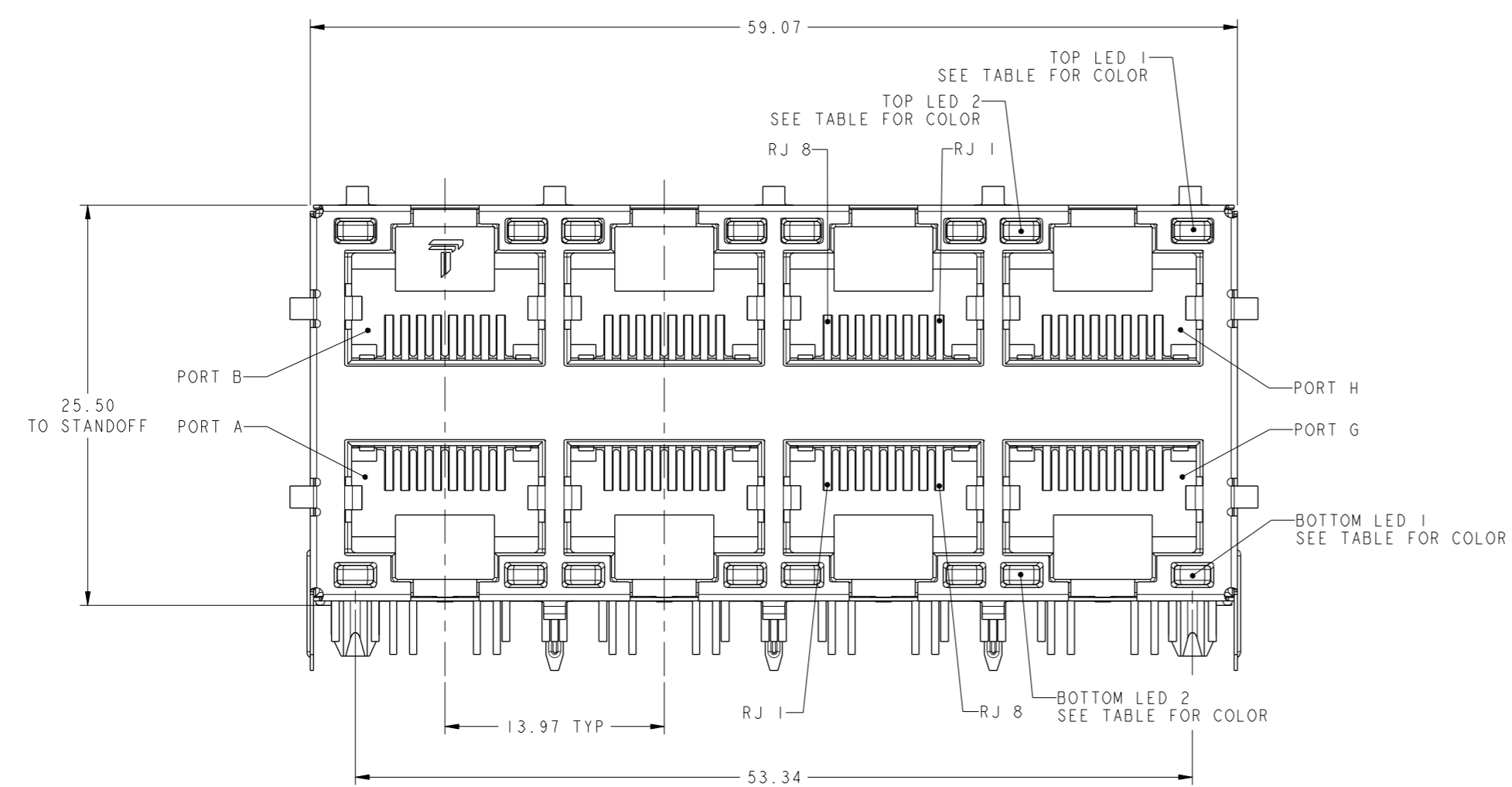
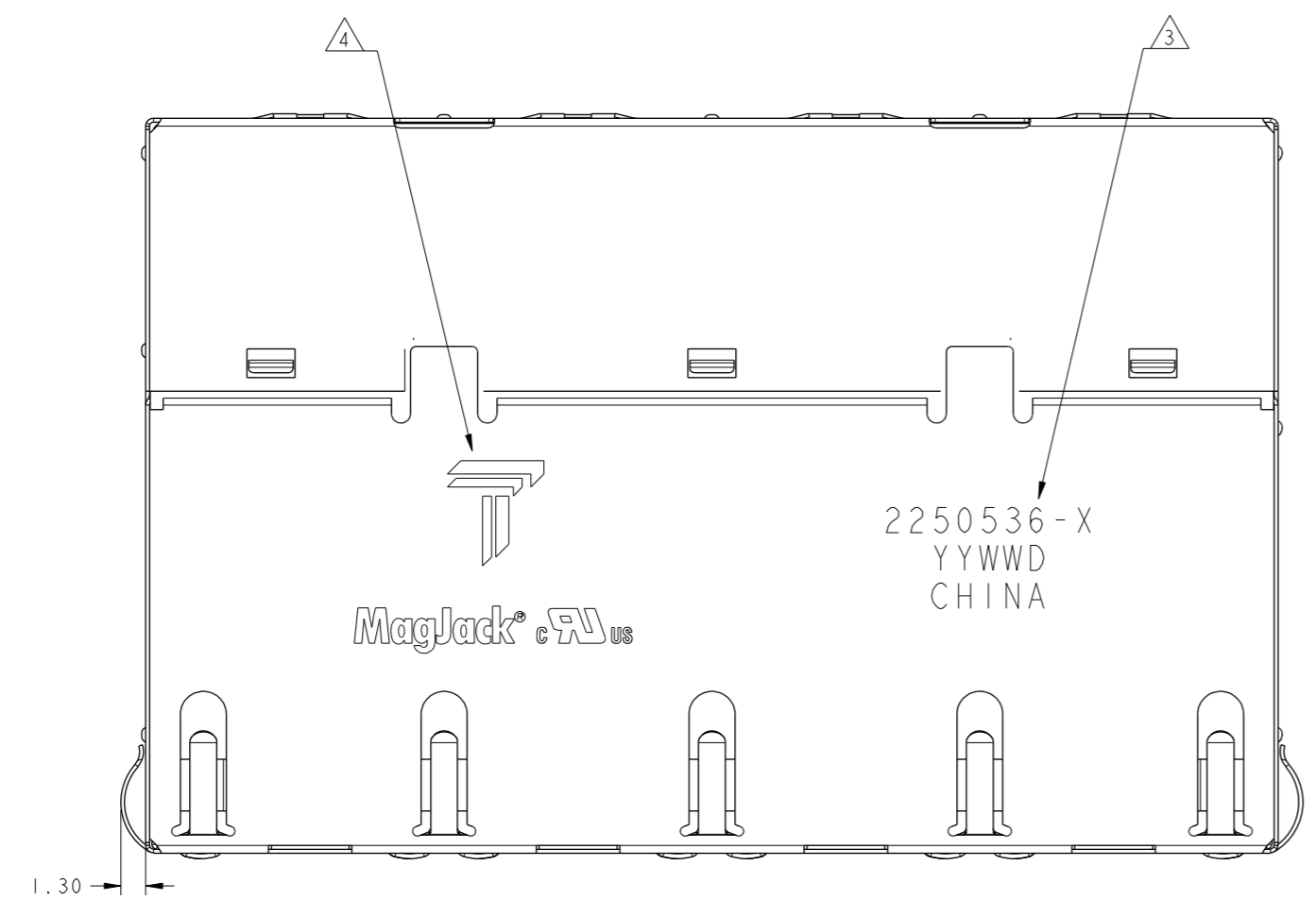
TOP AND BOTTOM PORTS



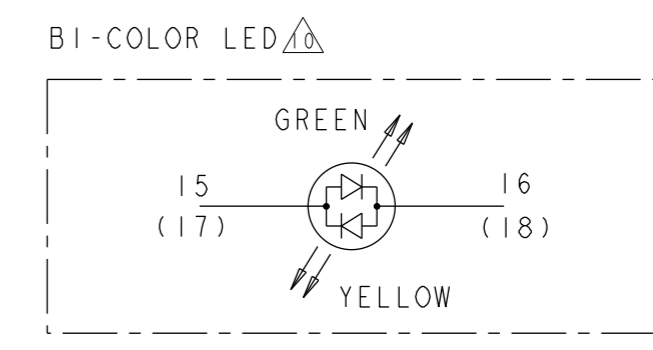
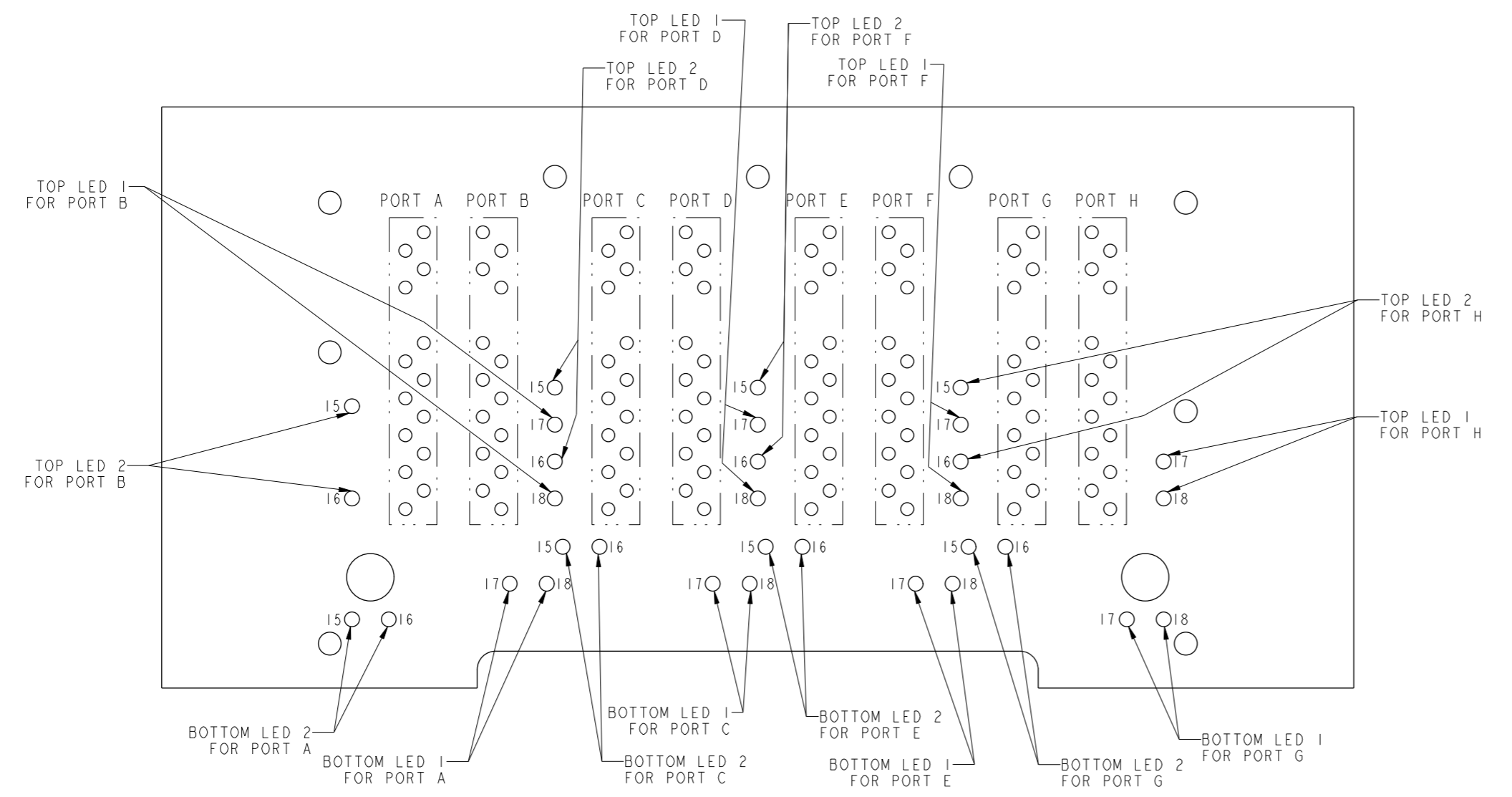
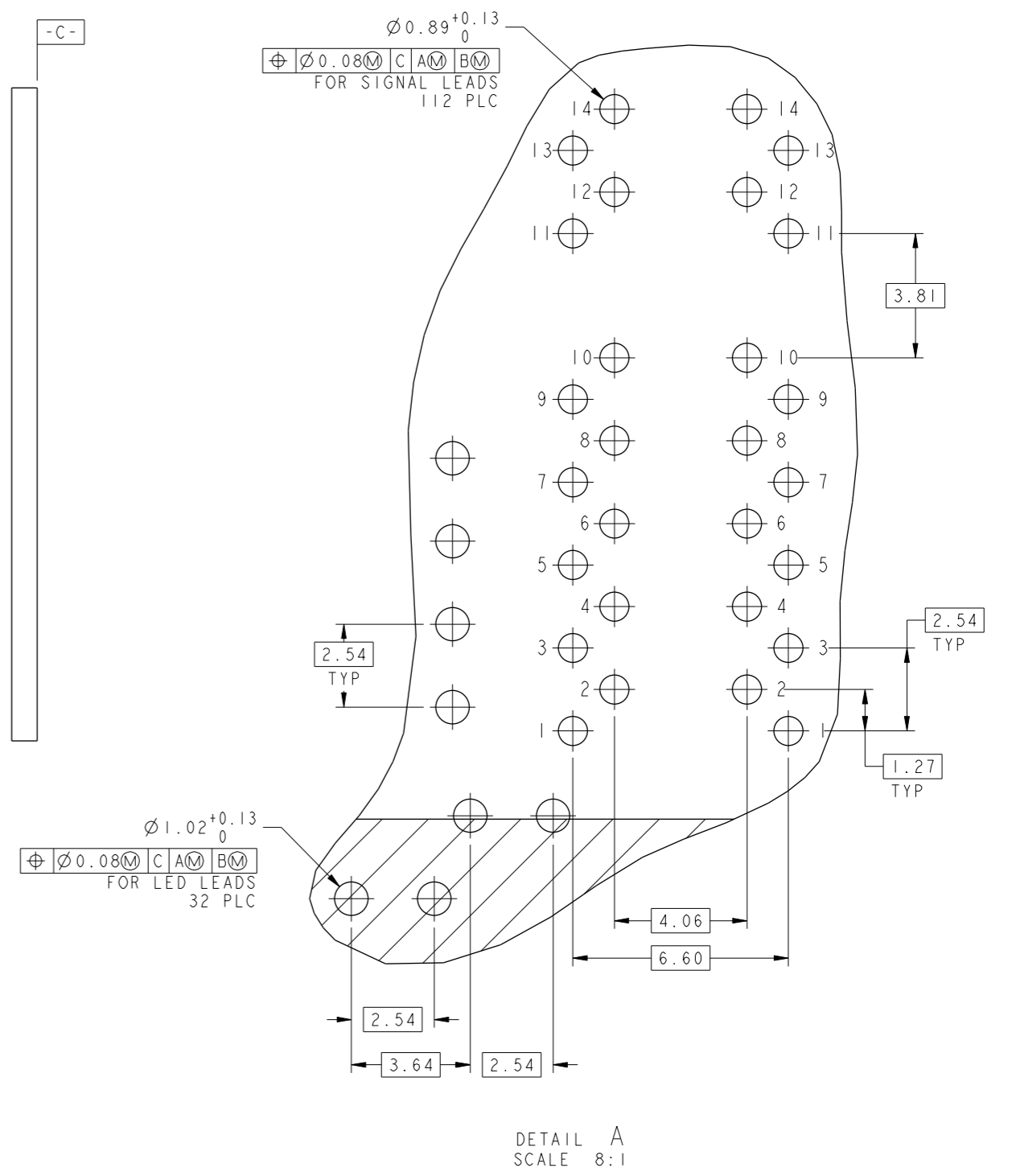
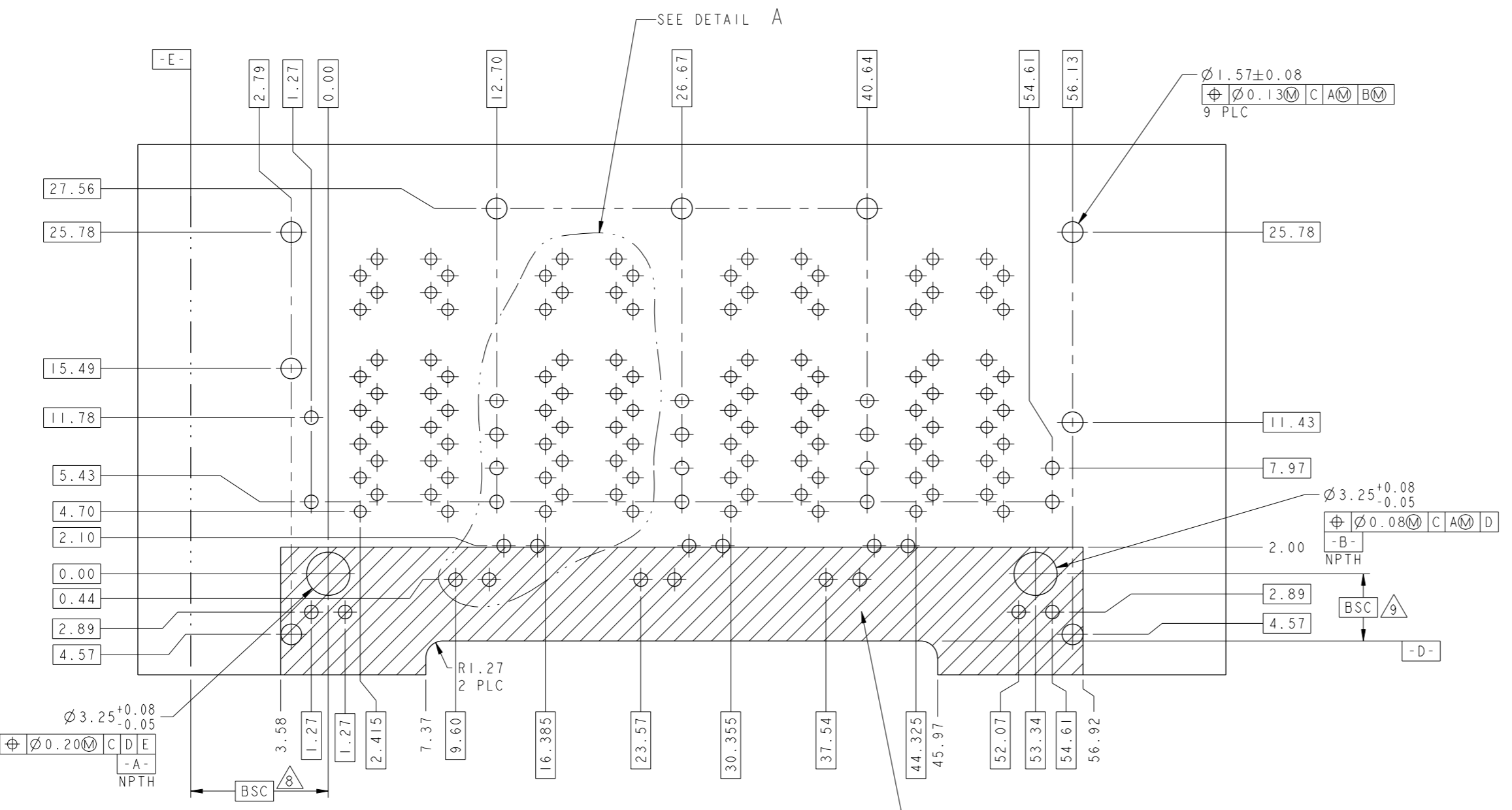
C1-C2 = 10nF, 50V, X7R, CAPACITORS
 C3-C6 = 22nF, 100V, CAPACITORS
 C7 = 1000pF, 2kV, CAPACITOR
 R1-R4 = 75 Ohms, 1/16W, RESISTORS

1. MATERIALS:
 PLASTIC HOUSING: BLACK, THERMOPLASTIC FLAMMABILITY RATING UL 94V-0
 SHIELD: BRASS, PREPLATED WITH 0.76um MIN SEMI-BRIGHT NICKEL,
 POST DIPPED WITH 2.54um MIN SAC SOLDER OR PURE TIN SOLDER DIP
 ON SOLDER TAILS,
 CONTACTS: PHOSPHOR BRONZE, 1.27um MIN OVERALL NICKEL
 UNDERPLATE WITH SELECT 1.27um MIN GOLD AT MATING INTERFACE AND
 2.54um MIN MATTE TIN ON SOLDER TAILS.
 LED: DIFFUSED EPOXY LENS, CARBON STEEL LEAD FRAME TAILS OF LED
 ARE PREPLATED WITH 2.03um MIN SILVER OVER 1.02um MIN NICKEL
 UNDERPLATE OVER 1.02um MIN COPPER UNDERPLATE. POST-PLATED WITH
 2.54um MIN MATTE TIN AND/OR SAC SOLDER DIP OR PURE TIN SOLDER DIP
2. MAGNETICS
 APPLICATION: 5G BASE-T, 4PPOE
 IMPEDANCE: 100 OHMS
 TURNS RATIO (CHIP: CABLE): 1:1 ALL FOUR PAIRS
 OPEN CIRCUIT INDUCTANCE (OCL):
 ALL CHANNELS 180uH MIN @ 100KHz, 0.1 VRMS WITH 8mA DC BIAS FROM -40°C TO 85°C,
 120uH MIN @ 100KHz, 0.1 VRMS WITH 23mA DC BIAS FROM -40°C TO 85°C
 ALL FOUR PAIRS BI-DIRECTIONAL
 POE CURRENT: 1A DC MAX
 PERFORMANCE @ 25°C, PLEASE REFER TO SEPARATE SHEET.
 ISOLATION VOLTAGE: 2250VDC(MAX) FOR 60 SECONDS WITH A RISE TIME OF
 500V/SEC AND WITH ALL PORTS CONNECTED.
3. PART NUMBER, DATE CODE AND COUNTRY OF ORIGIN ARE
 LOCATED IN APPROXIMATE AREA SHOWN.
 DATE CODE: YYWWD WHERE "YY" IS YEAR, "WW" IS WORK WEEK, "D" IS DAY
 OF WEEK, WITH SUNDAY = 1
4. TRP CONNECTOR LOGO AND AGENCY APPROVAL LOGO ARE
 LOCATED IN APPROXIMATE AREA SHOWN.
5. OPERATING TEMP: FROM -40°C TO 85°C.
6. RJ45 CAVITY CONFORMS TO FCC RULES AND REGULATION PART 68 SUBPART F.
7. INDICATED MAGNETIC CONNECTIONS ARE SYMMETRICAL AND
 SUPPORT AUTO-MDI/MDIX.
8. DATUM AND BASIC DIMENSION ESTABLISHED BY CUSTOMER.
9. BASIC DIMENSION ESTABLISHED BY CUSTOMER, BUT MAY NOT BE
 GREATER THAN 5.08mm.
10. LEDs ARE DRIVEN WITH CONSTANT CURRENT AT APPROX 20mA
 LED COLOR: DOMINANT WAVELENGTH (λD): GREEN 568 nm TYP. @ IF=20mA
 FORWARD VOLTAGE (VF): GREEN 2.2V TYP. @ IF=20mA
 DOMINANT WAVELENGTH (λD): YELLOW 588 nm TYP. @ IF=20mA
 FORWARD VOLTAGE (VF): YELLOW 2.1V TYP. @ IF=20mA
11. THE PARTS ARE RECOMMENDED FOR WAVE SOLDERING PROCESS,
 PEAK TEMPERATURE 260°C MAX, 10 SECONDS MAX.

2.30	GREEN/YELLOW	GREEN/YELLOW	GREEN/YELLOW	GREEN/YELLOW	2250536-1
DIM A	BOTTOM LED 2	BOTTOM LED 1	TOP LED 2	TOP LED 1	PART NUMBER
THIS DRAWING IS A CONTROLLED DOCUMENT, AND COMPLIANT TO ASME Y14.5M		DWN: RICK LI 14AUG2017 CHK: TOMMY REN / TERRY LIN 14AUG2017 APPV: TONY YUAN 14AUG2017		 trp CONNECTOR a bel group DONGGUAN CHINA	
DIMENSIONS: mm		TOLERANCES UNLESS OTHERWISE SPECIFIED:		DESC: 2X4 S9UFG02ET 5G 4PPOE 100W CIRCUIT, W/ LED	
		0 PLC ±0.25 1 PLC ±0.25 2 PLC ±0.25 3 PLC ± 4 PLC ± ANGLES ± APPLICATION SPEC		MODEL NAME: MAGJACK STACK 4PPOE SIZE: A1 CAGE CODE: 2250536 DRAWING NO: 108-104017 RESTRICTED TO: CUSTOMER DRAWING	
PRODUCT SPEC: 108-104017		SCALE: NTS		SHEET 1 OF 5 REV 2	

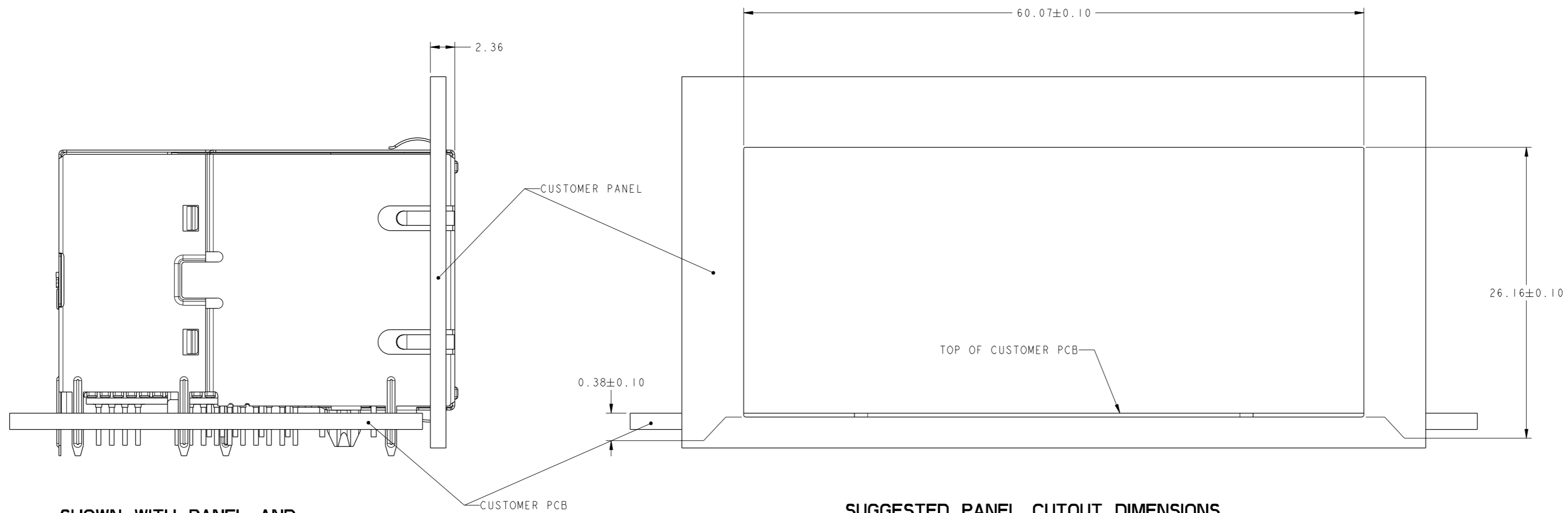


THIS DRAWING IS A CONTROLLED DOCUMENT. AND COMPLIANT TO ASME Y14.5M		DWN: RICK LI 14AUG2017 CHK: TOMMY REN / TERRY LIN 14AUG2017 APPR: TONY YUAN 14AUG2017	DONGGUAN CHINA
DIMENSIONS: mm	TOLERANCES UNLESS OTHERWISE SPECIFIED: 0 PLC ±0.25 1 PLC ±0.25 2 PLC ±0.25 3 PLC ± 4 PLC ± ANGLES ± APPLICATION SPEC -	MODEL NAME: MAGJACK STACK 4PPOE	
PRODUCT SPEC: 108-104017		CUSTOMER DRAWING	RESTRICTED TO: N/A SCALE: NTS SHEET: 2 OF 5 REV: 2



THIS DRAWING IS A CONTROLLED DOCUMENT AND COMPLIANT TO ASME Y14.5M		DATE: 14AUG2017	DRW: RICK LI
DIMENSIONS: mm		DATE: 14AUG2017	CHK: TOMMY REN / TERRY LIN
TOLERANCES UNLESS OTHERWISE SPECIFIED:		DATE: 14AUG2017	APPV: TONY YUAN
0 PLC	± 0.25	MODEL NAME	
1 PLC	± 0.25	MAGJACK	
2 PLC	± 0.25	STACK 4PPOE	
3 PLC	\pm	DESC: 2X4 S9UFG02ET 5G 4PPOE 100W CIRCUIT, W/ LED	
4 PLC	\pm	SIZE: A1	
ANGLES	\pm	SCALE: NTS	
APPLICATION SPEC		SHEET 3 OF 5	
PRODUCT SPEC: 108-104017		REV 2	
		CAGE CODE: 2250536	
		CUSTOMER DRAWING	






SHOWN WITH PANEL AND CUSTOMER PCB ASSEMBLY

SUGGESTED PANEL CUTOUT DIMENSIONS

THIS DRAWING IS A CONTROLLED DOCUMENT. AND COMPLIANT TO ASME Y14.5M		DWN: RICK LI 14AUG2017 CHK: TOMMY REN / TERRY LIN 14AUG2017 APPR: TONY YUAN 14AUG2017	trp CONNECTOR a bel group DONGGUAN CHINA
DIMENSIONS: mm	TOLERANCES UNLESS OTHERWISE SPECIFIED: 0 PLC ±0.25 1 PLC ±0.25 2 PLC ±0.25 3 PLC ± 4 PLC ± ANGLES ± APPLICATION SPEC -	MODEL NAME MAGJACK STACK 4PPOE	
PRODUCT SPEC 108-104017		SIZE A1	CAGE CODE C=2250536
CUSTOMER DRAWING		SCALE NTS	SHEET 4 OF 5 REV 2

2250536					STOCK DISPOSITION			
2X4 S9UFG02ET 5G 4PPOE 100W CIRCUIT, W/ LED					A: CONTINUE AS IS		D: USE OLD FIRST	
					B: REWORK		E: PARTS TO CONFORM	
					C: SCRAP		F: OTHER	
REVISION HISTORY								
DATE	REV	CHANGES	REASON	APPROVAL	INVENTORY (A,B,C,D,E,F)	WORK IN PROCESS (A,B,C,F)	SUPPLIER ORDERS (A,E,F)	OPEN CUST ORDERS (A,E,F)
14AUG2017	1	-	INITIAL RELEASE	TY	-	-	-	-
22AUG2017	2	SHEET 1 NOTE 2: POE CURRENT CHANGED TO 1A DC MAX	CUSTOMER REQUEST	TY	-	-	-	-

THIS DRAWING IS A CONTROLLED DOCUMENT. AND COMPLIANT TO ASME Y14.5M		DNW: RICK LI 14AUG2017	 trp CONNECTOR <small>a bel group</small>	DONGGUAN CHINA		
DIMENSIONS: mm		CHK: TOMMY REN / TERRY LIN 14AUG2017		DESC: 2X4 S9UFG02ET 5G 4PPOE 100W CIRCUIT, W/ LED		
TOLERANCES UNLESS OTHERWISE SPECIFIED:		APPV: TONY YUAN 14AUG2017		RESTRICTED TO		
0 PLC ±0.25 1 PLC ±0.25 2 PLC ±0.25 3 PLC ± 4 PLC ± ANGLES ± APPLICATION SPEC		MODEL NAME: MAGJACK STACK 4PPOE	SIZE: A1	CAGE CODE: C=2250536	DRAWING NO: 2250536	
PRODUCT SPEC: 108-104017		CUSTOMER DRAWING		SCALE: NTS	SHEET 5 OF 5 REV 2	