

THE INFORMATION CONTAINED HEREIN IS CONSIDERED "PROPRIETARY" TO BEL FUSE INC. AND SHALL NOT BE COPIED, REPRODUCED OR DISCLOSED WITHOUT THE WRITTEN APPROVAL OF BEL FUSE INC.

RoHS



ELECTRICAL CHARACTERISTICS @ 25°C

URNS RATIO

TP1	1CT : 1CT	±2%
TP2	1CT : 1CT	±2%
TP3	1CT : 1CT	±2%
TP4	1CT : 1CT	±2%

DCL @ 100kHz/100mVRMS

FOR CHANNEL 1 , CHANNEL 2, CHANNEL3 AND CHANNEL 4

11mA DC BIAS (0°C - 70°C) 350µH MIN.

19mA DC BIAS (0°C - 70°C) 120µH MIN.

INS. LOSS

0.1MHz TO 1MHz	-1.1 dB MAX
1MHz TO 65MHz	-0.5 dB MAX
65MHz TO 100MHz	-0.8 dB MAX
100MHz TO 125MHz	-1.5 dB MAX

RET. LOSS (MIN) @ 100OHMS ±15%

0.5MHz-40MHz	-18 dB
40MHz-100MHz	-12+20LOG(f/80MHz) dB

CM TO CM REJ

100kHz - 100MHz	-30 dB MIN
-----------------	------------

CM TO DM REJ

100kHz - 100MHz	-35 dB MIN
-----------------	------------

HIPOT (Isolation Voltage): 2250 VDC

100% OF PRODUCTION TESTED TO COMPLY WITH IEEE 802.3 ISOLATION REQUIREMENTS.

NOTE: PORT-TO-PORT ISOLATION NOT INCLUDED .

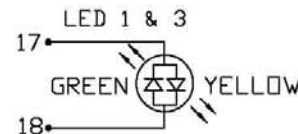
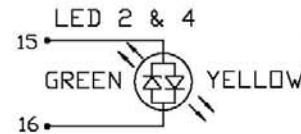
BALANCED DC LINE CURRENT 600mA MAX. CONTINUOUS
1.2A MAX. FOR 200 MILLISECONDS

LEDS 1, 2, 3 AND 4

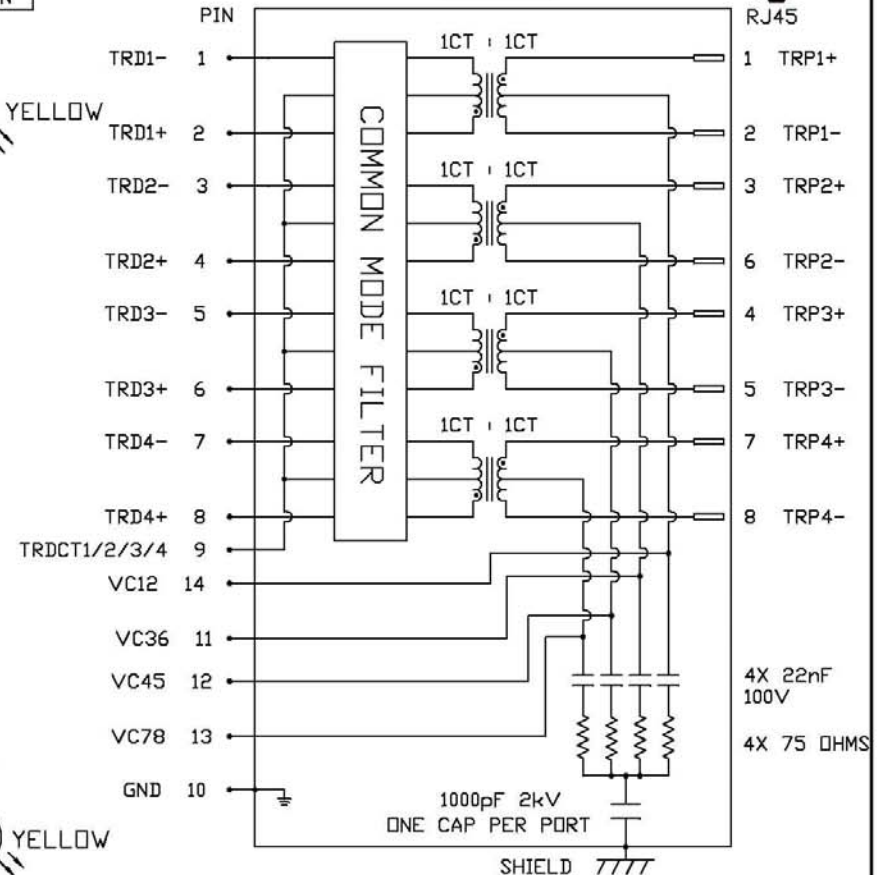
VF (FORWARD VOLTAGE)	IF=20mA	YELLOW	2.1V TYP.
		GREEN	2.2V TYP.
AD (DOMINANT WAVELENGTH)	IF=20mA	YELLOW	590nm TYP.
		GREEN	570nm TYP.

OPERATING TEMPERATURE: 0°C TO +70°C.

LED 2 & 4 POLARITY			LED 1 & 3 POLARITY		
PIN 15	PIN 16	COLOR	PIN 17	PIN 18	COLOR
+	-	YELLOW	+	-	YELLOW
-	+	GREEN	-	+	GREEN



SCHEMATIC



REV. : PA PAGE : 2

ORIGINATED BY
CHOW WANCHUNG
DATE 2018-07-18
DRAWN BY
XIE YIMING
DATE 2018-07-18

TITLE
2X1 gigabit MagJack®
4PPoE
0895-2C1R-GVH
PATENTED

PART NO. / DRAWING NO.
0895-2C1RGVH
FILE NAME
0895-2C1RGVH_PA.DWG

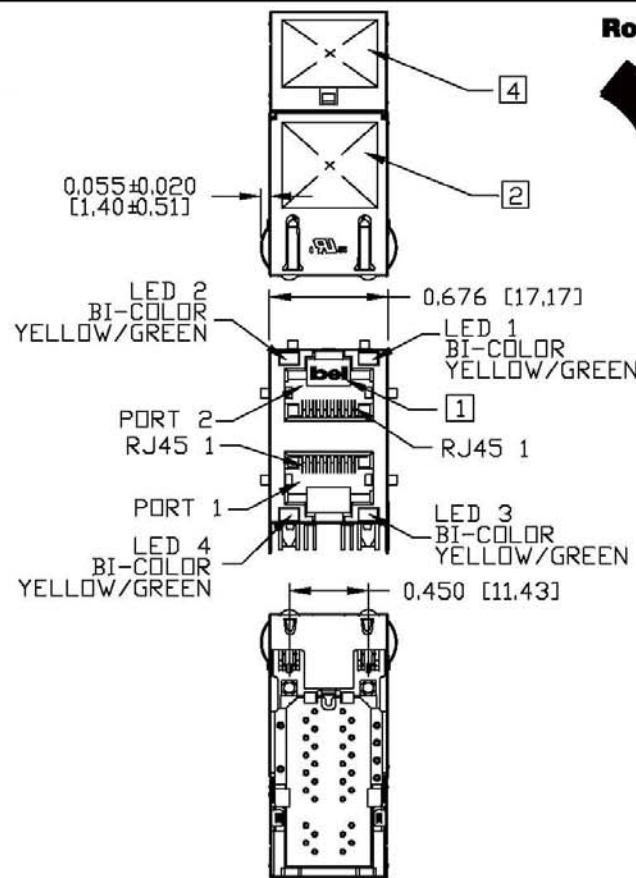
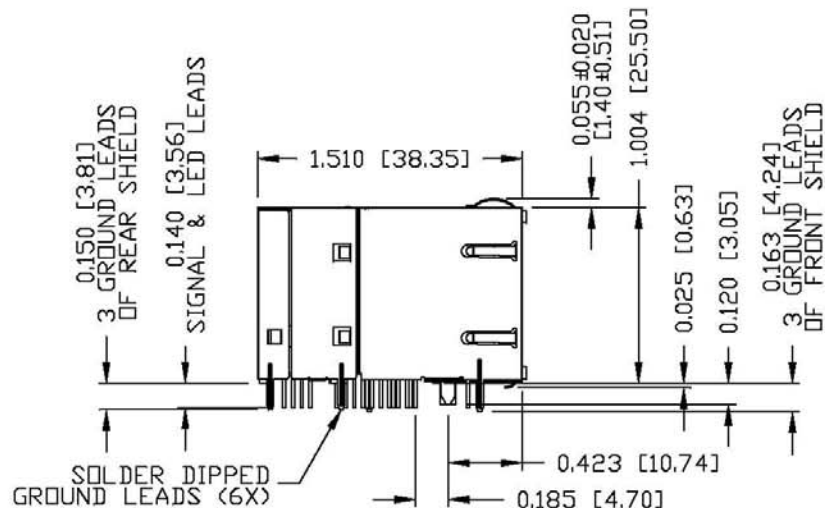
STANDARD DIM.
TOL. IN INCH
[] METRIC DIM.
AS REF.
UNIT : INCH [mm]
SCALE : N/A
SIZE : A4



THE INFORMATION CONTAINED HEREIN IS CONSIDERED "PROPRIETARY" TO BEL FUSE INC. AND SHALL NOT BE COPIED, REPRODUCED OR DISCLOSED WITHOUT THE WRITTEN APPROVAL OF BEL FUSE INC.



REMARK: CURRENTLY NO BACK COVER TOOL.



NOTES:

PLASTIC HOUSING: THERMOPLASTIC PBT, BLACK, FLAMMABILITY RATING UL 94V-0.
 CONTACT PLATING: 50 MICRO-INCH HARD GOLD PLATING OR EQUIVALENT.
 OUTPUT PINS: TIN-COATED COPPER WIRE, DIA 0.018 INCH.
 100 MICRO-INCH MIN MATTE TIN. PINS ARE SOLDER DIPPED.
 METAL SHIELD: NICKEL PLATED ON COPPER ALLOY,
 (ALL GROUND LEADS ARE SOLDER DIPPED)

- [1] JACK CAVITY CONFORMS TO FCC RULES AND REGULATIONS, PART 68 SUBPART F.
- [2] MARK PART WITH MFG LOGO, MFG NAME, PART NUMBER AND DATE CODE.
- 3. THE PRODUCT IS RoHS COMPLIANT.
- UL RECOGNIZED - FILE #E196366 AND E169987.
- [4] THE PRODUCT IS PATENTED. "PATENTED" MARKING IS ON THE TOP SURFACE.
 THE PATENT NUMBER ARE U.S. PAT. 6,840,817 AND U.S. PAT. 7,123,117.

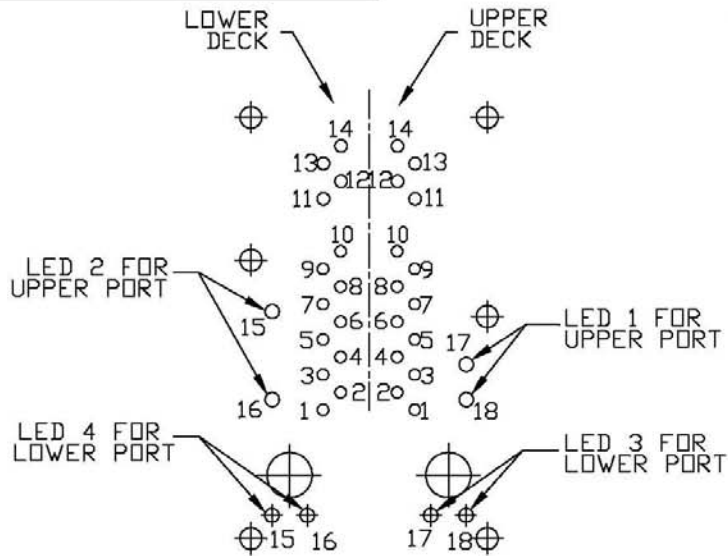
- 5. REVERSED POLARITY OF GENERAL 'C' LED.
- 6. THE PART IS RECOMMENDED FOR WAVE SOLDERING.
 THE SUGGESTED PEAK WAVE SOLDERING CONDITION IS 260°C MAX AND 10 SECONDS MAX.

REV. : PA PAGE : 3

ORIGINATED BY SANDY LIN DATE 2018-07-18	TITLE 2X1 glgabit MagJack® 4PPoE	PART NO. / DRAWING NO. 0895-2C1RGVH	STANDARD DIM.		[] METRIC DIM.	
			TOL. IN INCH		AS REF.	
DRAWN BY DANIEL ZHANG DATE 2018-07-18	0895-2C1R-GVH PATENTED	FILE NAME 0895-2C1RGVH_PA.DWG	.X	/	UNIT : INCH [mm]	
			.XX	/	SCALE : N/A	
			.XXX	±0.010		SIZE : A4



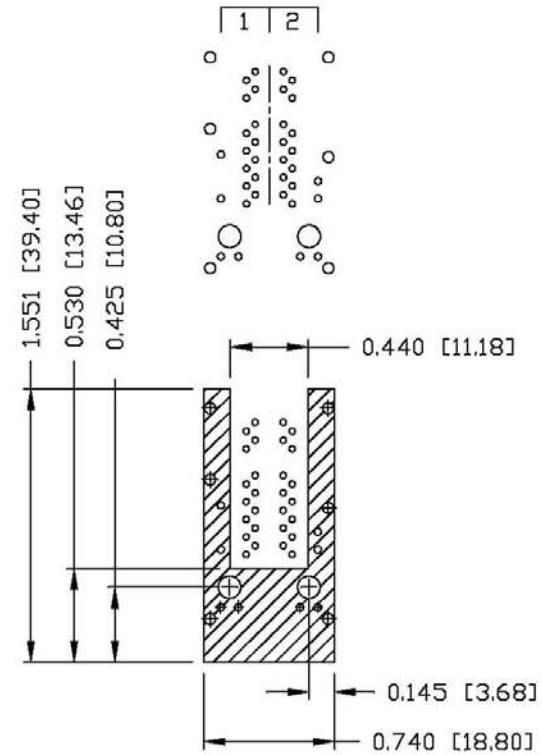
THE INFORMATION CONTAINED HEREIN IS CONSIDERED 'PROPRIETARY' TO BEL FUSE INC. AND SHALL NOT BE COPIED, REPRODUCED OR DISCLOSED WITHOUT THE WRITTEN APPROVAL OF BEL FUSE INC.



PIN-OUT INFORMATION
(COMPONENT SIDE VIEW)

12	VC45		
11	VC36		
10	GND		
9	TRDCT1/2/3/4		
8	TRD 4+		
7	TRD 4-		
6	TRD 3+	18	YELLOW (-)/GREEN (+)
5	TRD 3-	17	YELLOW (+)/GREEN (-)
4	TRD 2+	16	YELLOW (-)/GREEN (+)
3	TRD 2-	15	YELLOW (+)/GREEN (-)
2	TRD 1+	14	VC12
1	TRD 1-	13	VC78

PORT ASSIGNMENT
(COMPONENT SIDE VIEW)



THE SHADED AREA ON THE CUSTOMER BOARD ARE RECOMMENDED TO BE CLEAR OFF ANY VIA HOLE OR COMPONENT PAD.

ORIGINATED BY
SANDY LIN
DATE 2018-07-18

DRAWN BY
DANIEL ZHANG
DATE 2018-07-18

TITLE
2X1 gigabit MagJack®
4PPoE
0895-2C1R-GVH
PATENTED

PART NO. / DRAWING NO.
0895-2C1RGVH

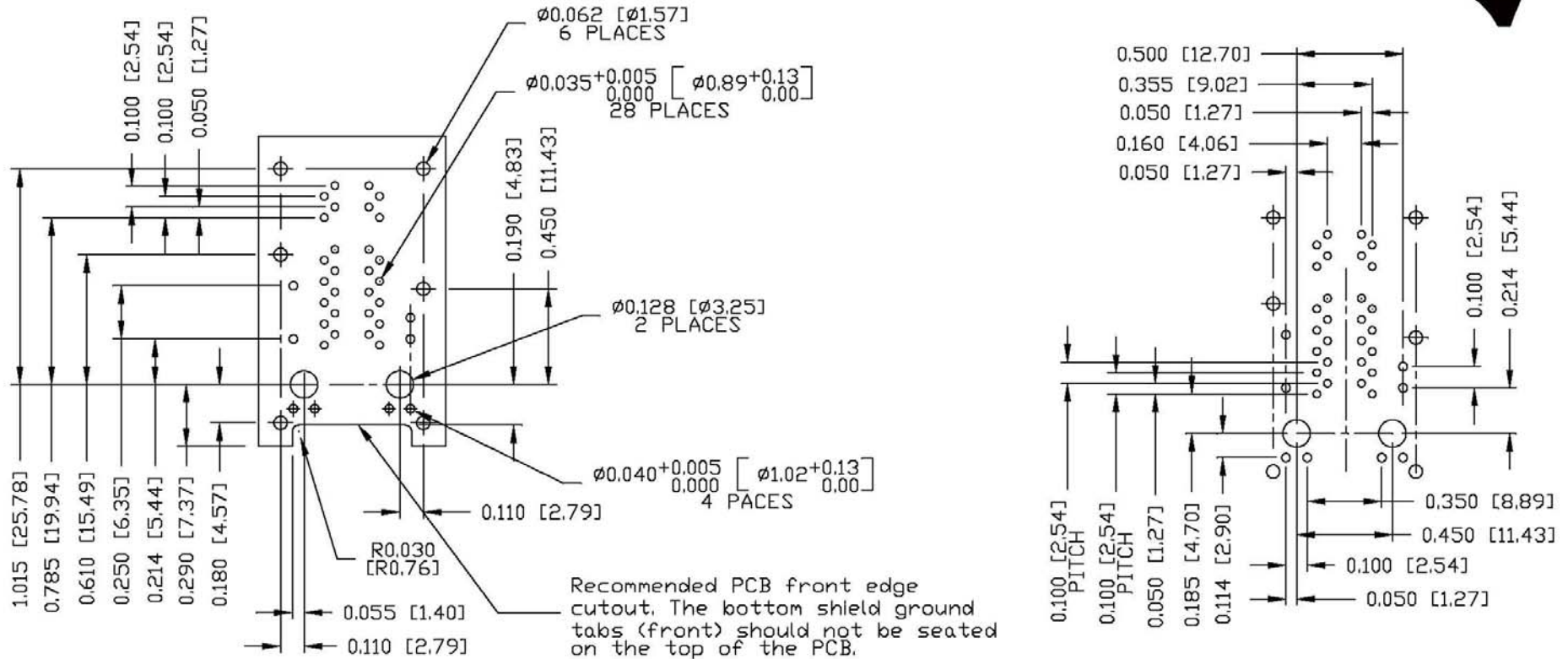
FILE NAME
0895-2C1RGVH_PA.DWG

STANDARD DIM. TOL. IN INCH	[] METRIC DIM. AS REF.
.X	UNIT : INCH [mm]
.XX	SCALE : N/A
.XXX	SIZE : A4
40.004	

REV. : PA PAGE : 4

a bel group

THE INFORMATION CONTAINED HEREIN IS CONSIDERED "PROPRIETARY" TO BEL FUSE INC. AND SHALL NOT BE COPIED, REPRODUCED OR DISCLOSED WITHOUT THE WRITTEN APPROVAL OF BEL FUSE INC.



SUGGESTED FOOTPRINT
(COMPONENT SIDE VIEW)

ORIGINATED BY
SANDY LIN
DATE 2018-07-18

DRAWN BY
DANIEL ZHANG
DATE 2018-07-18

TITLE
2X1 glgabit MagJack®
4PPoE
0895-2C1R-GVH
PATENTED

PART NO. / DRAWING NO.
0895-2C1RGVH

FILE NAME
0895-2C1RGVH_PA.DWG

STANDARD DIM. TOL. IN INCH	[] METRIC DIM. AS REF.
.X	UNIT : INCH [mm]
.XX	SCALE : N/A
.XXX ±0.004	SIZE : A4

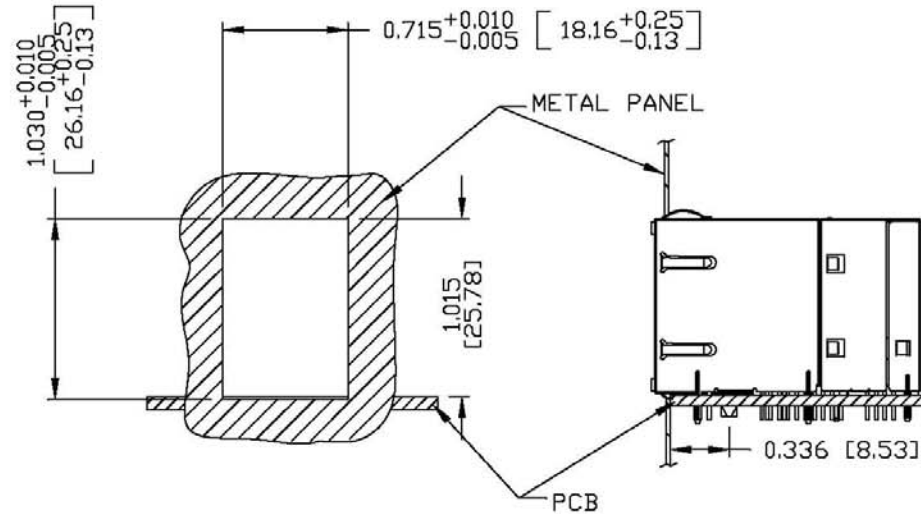
REV. : PA PAGE : 5



THE INFORMATION CONTAINED HEREIN IS CONSIDERED 'PROPRIETARY' TO BEL FUSE INC. AND SHALL NOT BE COPIED, REPRODUCED OR DISCLOSED WITHOUT THE WRITTEN APPROVAL OF BEL FUSE INC.



SUGGESTED PANEL OPENING



NOTE:

THE DISTANCE OF PANEL INSIDE SURFACE RELATIVE TO FRONT SURFACE OF PART IS ONLY A SUGGESTION. IN CASE THIS DISTANCE IS DIFFERENT, THE REQUIRED PANEL OPENING DIMENSIONS CHANGE ACCORDINGLY.

PACKING INFORMATION

PACKING TRAY : 0200M9999-P3 (TOP)
0200M9999-P9 (BOTTOM)

PACKING QUANTITY : 18 PCS FINISHED GOODS PER TRAY
9 TRAYS (162 PCS FINISHED GOODS) PER CARTON BOX

NOTE : CARDBOARDS ARE PLACED BETWEEN LAYERS OF PACKING TRAY INSIDE CARTON BOX
(INCLUDE THE UPPERMOST AND LOWERMOST TRAY)

REV. : PA PAGE : 6

ORIGINATED BY
SANDY LIN
DATE 2018-07-18

DRAWN BY
DANIEL ZHANG
DATE 2018-07-18

TITLE
2X1 gigabit MagJack®
4PPoE
0895-2C1R-GVH
PATENTED

PART NO. / DRAWING NO.
0895-2C1RGVH

FILE NAME
0895-2C1RGVH_PA.DWG

STANDARD DIM. TOL. IN INCH		[] METRIC DIM. AS REF.	
.X		UNIT : INCH [mm]	
.XX		SCALE : N/A	
.XXX	±0.005		SIZE : A4

