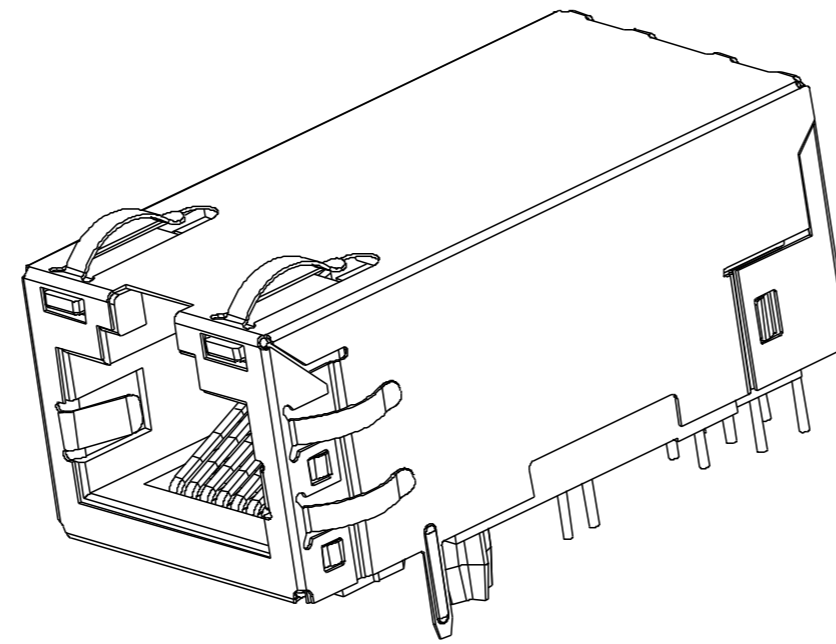
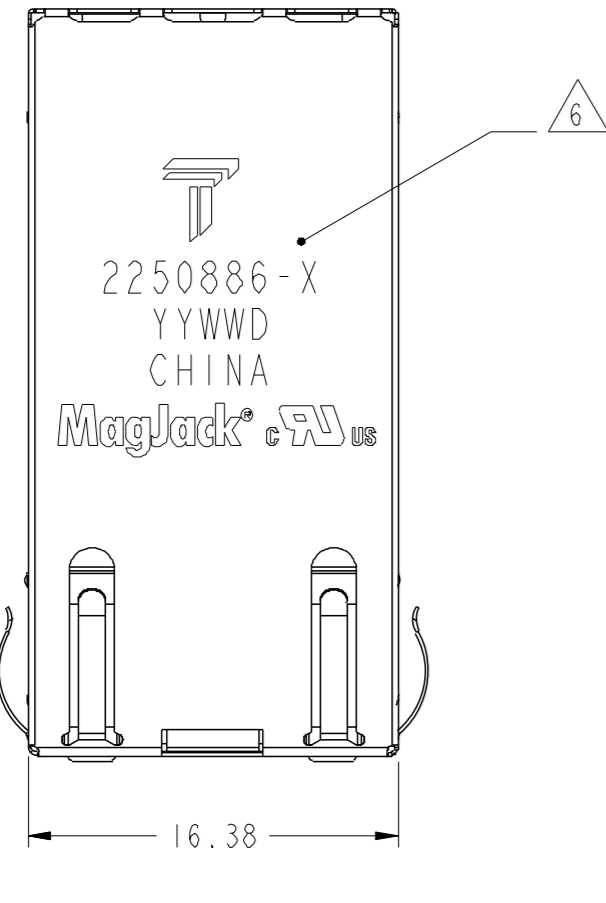


THIS DRAWING AND THE SUBJECT MATTER SHOWN THEREON ARE CONFIDENTIAL AND THE PROPERTY OF BEL/STEWART/TRP CONNECTOR AND SHALL NOT BE REPRODUCED, COPIED, OR USED IN ANY MANNER WITHOUT THE WRITTEN CONSENT OF TRP CONNECTOR.

PRODUCT MAY BE PROTECTED BY ONE OR MORE OF THE FOLLOWING US PATENTS:
 5736910 5939955 6425781 6428361 6554638 6840817 7123117
 7429195 7717749 7808751 6217391 6149050 7924130

REVISIONS

| P | LTR | DESCRIPTION | DATE | DWN | APVD |
|---|-----|----------------|-----------|-----|------|
| 1 | | SEE LAST SHEET | 11OCT2023 | TRY | TY |
| 2 | | SEE LAST SHEET | 15OCT2023 | TRY | TY |



1. MATERIALS

HOUSING: THERMOPLASTIC, BLACK, FLAMMABILITY RATING UL 94V-0
 SHIELD: STAINLESS STEEL, 0.15mm THICK, PREPLATED WITH MIN 0.76μm SEMI-BRIGHT NICKEL POST DIPPED WITH 2.54μm MIN SAC SOLDER AT GROUND PINS.
 CONTACT: PHOSPHOR BRONZE, 0.46mmX0.30mm WITH 1.27μm MIN OVERALL NICKEL UNDERPLATE AND SELECTIVE 1.27μm MIN GOLD PLATING AT MATING INTERFACE.
 SOLDER TAIL (LED AND SIGNAL): Ø0.45mm COPPER PLATED STEEL, PLATED WITH 2.54μm MIN TIN.

2. MAGNETICS

-APPLICATION: 10G BASE-T 4PPoE EXTENDED TEMPERATURE
 -IMPEDANCE: 100 OHMS
 -TURNS RATIO (CHIP:CABLE): 1:1 ALL FOUR PAIRS
 -OPEN CIRCUIT INDUCTANCE (OCL): ALL CHANNELS
 160μH MIN @100kHz, 0.1VRMS, 8mA DC BIAS FROM -40°C TO 85°C,
 120μH MIN @100kHz, 0.1VRMS, 23mA DC BIAS FROM -40°C TO 85°C.
 -ALL FOUR PAIRS BI-DIRECTIONAL
 -PoE CURRENT: 1A DC MAX
 -PERFORMANCE @ 25°C: PLEASE REFER TO SEPARATE SHEET
 -ISOLATION VOLTAGE: 2250VDC FOR 60 SECONDS WITH A RISE TIME OF 500V/SEC.

3. OPERATING TEMPERATURE: -40°C TO 85°C

4. LIGHT PIPES

ARE USED TO TRANSMIT LIGHT OF LED.
 LEDS ARE DRIVEN WITH CONSTANT CURRENT AT APPROX 20mA.
 LED COLOR: DOMINANT WAVELENGTH (λ D): GREEN 567nm TYP. at IF=20mA
 FORWARD VOLTAGE (VF): GREEN 2.2V TYP. at IF=20mA
 DOMINANT WAVELENGTH (λ D): YELLOW 587nm TYP. at IF=20mA
 FORWARD VOLTAGE (VF): YELLOW 2.1V TYP. at IF=20mA

5. RJ45 CAVITY

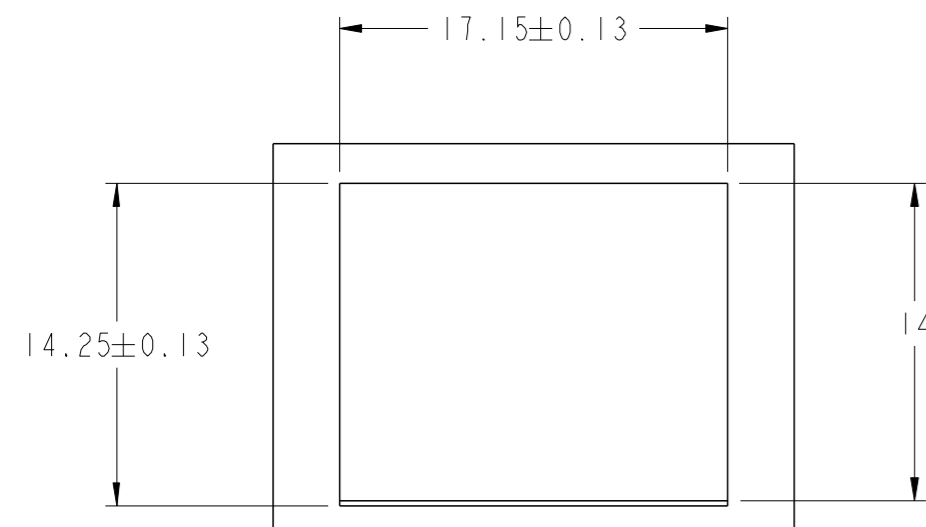
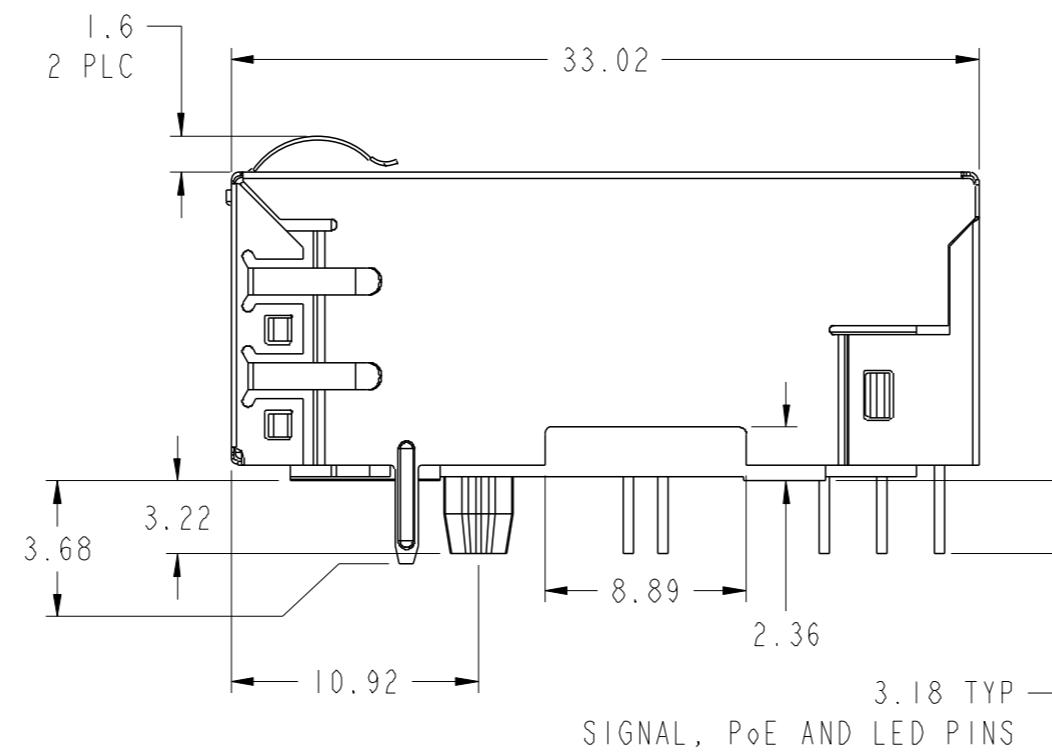
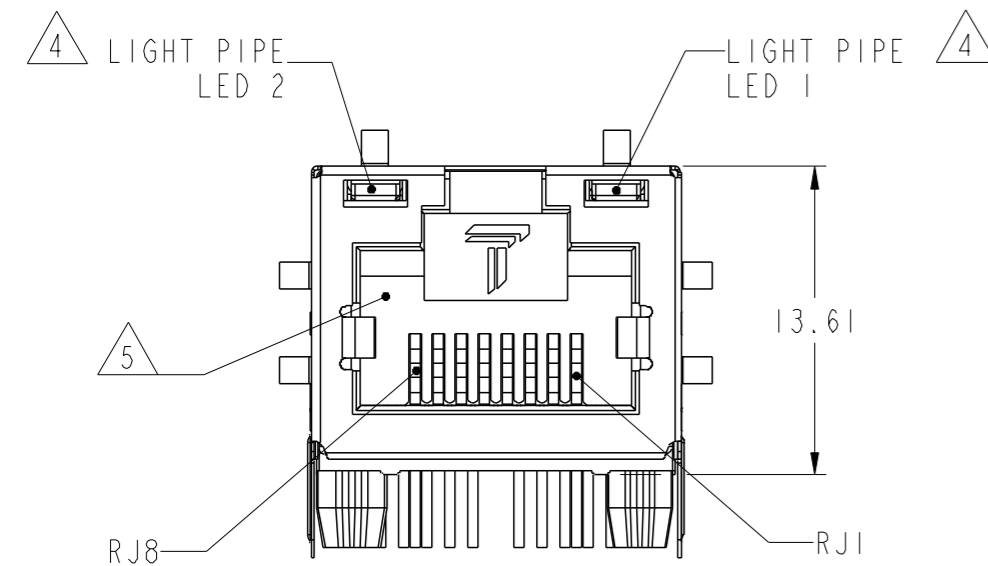
CONFORMS TO FCC RULES AND REGULATION PART 68 SUBPART F.

6. TRP CONNECTOR LOGO

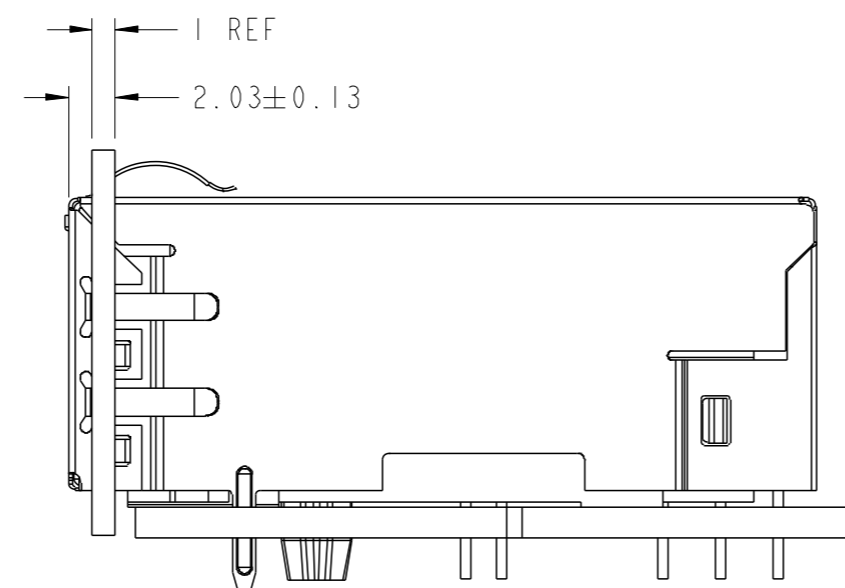
PART NUMBER, DATE CODE, COUNTRY OF ORIGIN, AGENCY APPROVAL MARKING IN APPROPRIATE LOCATION SHOWN. DATE CODE: YYWWD
 "YY" IS YEAR, "WW" IS WORK WEEK, "D" IS DAY OF WEEK, WITH SUNDAY=1.

7. PART SHOULD BE RECOMMENDED FOR WAVE SOLDERING PROCESS

PEAK WAVE SOLDERING TEMPERATURE IS 260°C, 10 SECOND MAX.




SUGGESTED PANEL CUTOUT

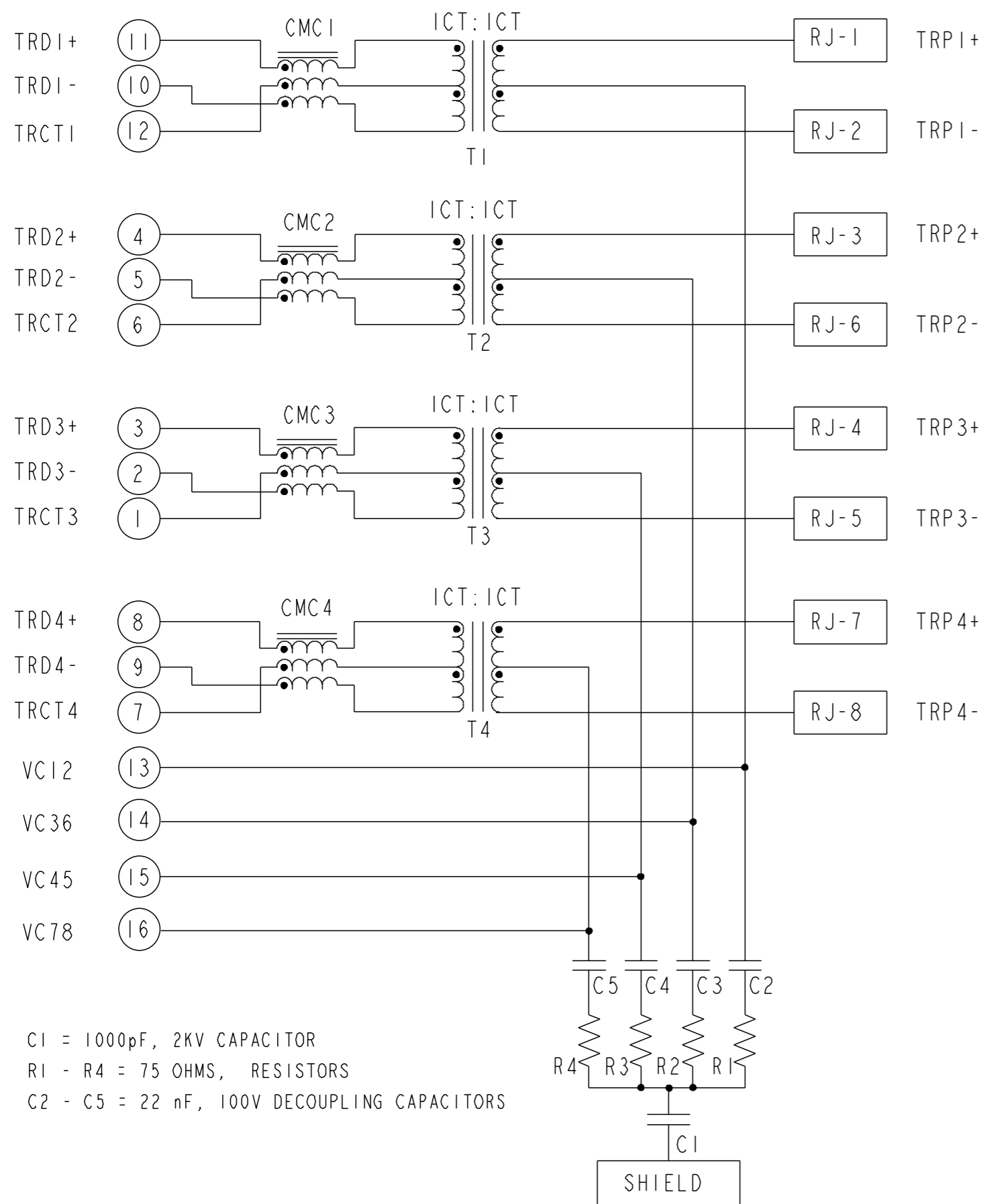


CONNECTOR ASSEMBLED TO PANEL AND PCB

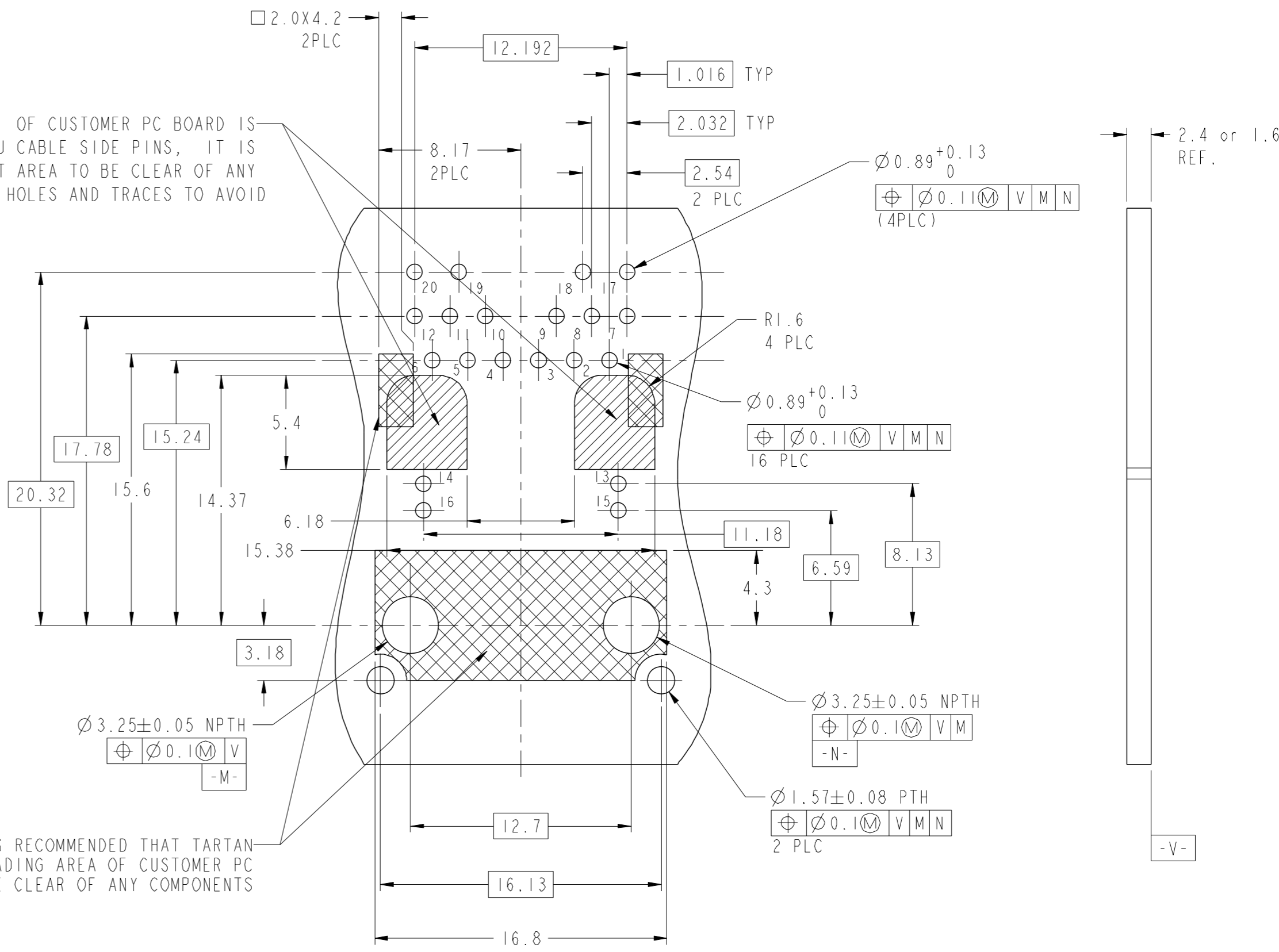
2250886-1
 PART NUMBER

| | | | | |
|---|---|------------------------------|------------|---|
| THIS DRAWING IS A CONTROLLED DOCUMENT. AND COMPLIANT TO ASME Y14.5M | | DWN TOWER YU / XENIA WANG | 11OCT2023 |  trp CONNECTOR a bel group DONGGUAN CHINA |
| DIMENSIONS: mm | | CHK BILL LIU | 11OCT2023 | |
| TOLERANCES UNLESS OTHERWISE SPECIFIED: | | APVD TONY YUAN | 11OCT2023 | DESC 1X1 7UTG01RET 10G 4PPoE 100W EXTENDED TEMPERATUR TAB UP, W/ LEDS |
| 0 PLC ± | | MODEL NAME MAGJACK | | SIZE A2 |
| 1 PLC ±0.25 | | | | CAGE CODE C-2250886 |
| 2 PLC ±0.25 | | | | DRAWING NO - |
| 3 PLC ±0.25 | | | | RESTRICTED TO - |
| 4 PLC ± | | | | |
| ANGLES ± | | | | |
| APPLICATION SPEC | | | | |
| PRODUCT SPEC 108-104004 | - | CUSTOMER DRAWING | | SCALE NTS |
| | | | SHEET 1 | OF 3 |
| | | | REV 2 | |

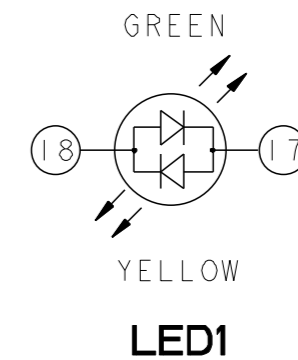
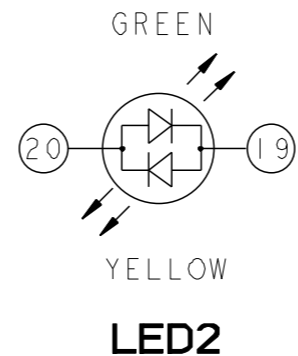
7UTG01RET 10 GIGABIT 100W CIRCUIT



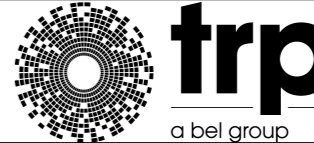
THE SHADED AREA OF CUSTOMER PC BOARD IS EQUIVALENT TO RJ CABLE SIDE PINS, IT IS RECOMMENDED THAT AREA TO BE CLEAR OF ANY COMPONENTS, VIA HOLES AND TRACES TO AVOID HI-POT FAILURE



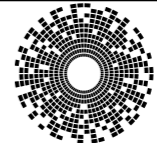
IT IS RECOMMENDED THAT TARTAN SHADING AREA OF CUSTOMER PC BOARD BE CLEAR OF ANY COMPONENTS



SUGGESTED PCB FOOTPRINT COMPONENT SIDE

| | | | | | | |
|---|--|--|--|---|---|-----------------|
| THIS DRAWING IS A CONTROLLED DOCUMENT. AND COMPLIANT TO ASME Y14.5M | | DWN 11OCT2023 TOWER YU / XENIA WANG | |  | DONGGUAN CHINA | |
| DIMENSIONS: mm | | CHK 11OCT2023 BILL LIU | | | DESC 1X1 7UTG01RET 10G 4PPoE 100W EXTENDED TEMPERATUR TAB UP, W/ LEDS | |
| TOLERANCES UNLESS OTHERWISE SPECIFIED: | | APVD 11OCT2023 TONY YUAN | | SIZE A2 | | RESTRICTED TO - |
| 0 PLC ±- | | MODEL NAME | | DRAWING NO C=2250886 | | SCALE NTS |
| 1 PLC ±0.25 | | MAGJACK | | SHEET 2 OF 3 | | REV 2 |
| 2 PLC ±0.25 | | SINGLE 4PPOE | | CUSTOMER DRAWING | | |
| 3 PLC ±0.25 | | | | | | |
| 4 PLC ±- | | | | | | |
| ANGLES ±- | | | | | | |
| APPLICATION SPEC | | | | | | |
| PRODUCT SPEC 108-104004 | | | | | | |

| 2250886_C | | | | | | STOCK DISPOSITION | | | |
|------------------|-----|---|------------------|-----------|----------------------------|---|-------------------------------|--|--|
| | | | | | | A:CONTINUE AS IS B:REWORK C:SCRAP | | D:USE OLD FIRST E:PARTS TO CONFORM F:OTHER | |
| REVISION HISTORY | | | | | | | | | |
| DATE | REV | CHANGE | REASON | APPROVAL | INVENTORY (A,B,C,D,E,F) | WORK IN PROCESS (A,B,C,D) | SUPPLIER ORDERS (A,E,F) | OPEN CUST ORDERS (A,E,F) | |
| 11OCT2023 | 1 | - | INITIAL RELEASE | TONY YUAN | - | - | - | - | |
| 15OCT2023 | 2 | SHEET 2, B1-B2: REDRAW LEDS POLARITY SCHEMATICS | CUSOTMER REQUEST | TONY YUAN | - | - | - | - | |

| | | | | | |
|--|--|---|---|---|-------------------------|
| THIS DRAWING IS A CONTROLLED DOCUMENT. AND COMPLIANT TO ASME Y14.5M | | DWN TOWER YU / XENIA WANG 11OCT2023 |  trp CONNECTOR a bel group | DONGGUAN CHINA | |
| DIMENSIONS: mm | | CHK BILL LIU 11OCT2023 | | DESC 1XI 7UTG01RET 10G 4PPoE 100W EXTENDED TEMPERATUR TAB UP, W/ LEDS | |
| TOLERANCES UNLESS OTHERWISE SPECIFIED: 0 PLC ± 1 PLC ±0.25 2 PLC ±0.25 3 PLC ±0.25 4 PLC ± ANGLES ± APPLICATION SPEC | | APVD TONY YUAN 11OCT2023 | RESTRICTED TO - | | |
| PRODUCT SPEC 108-104004 | | MODEL NAME MAGJACK SINGLE 4PPOE | SIZE A2 | CAGE CODE C-2250886 | DRAWING NO C-2250886 |
| CUSTOMER DRAWING | | | SCALE NTS | SHEET 3 | OF 3 REV 2 |