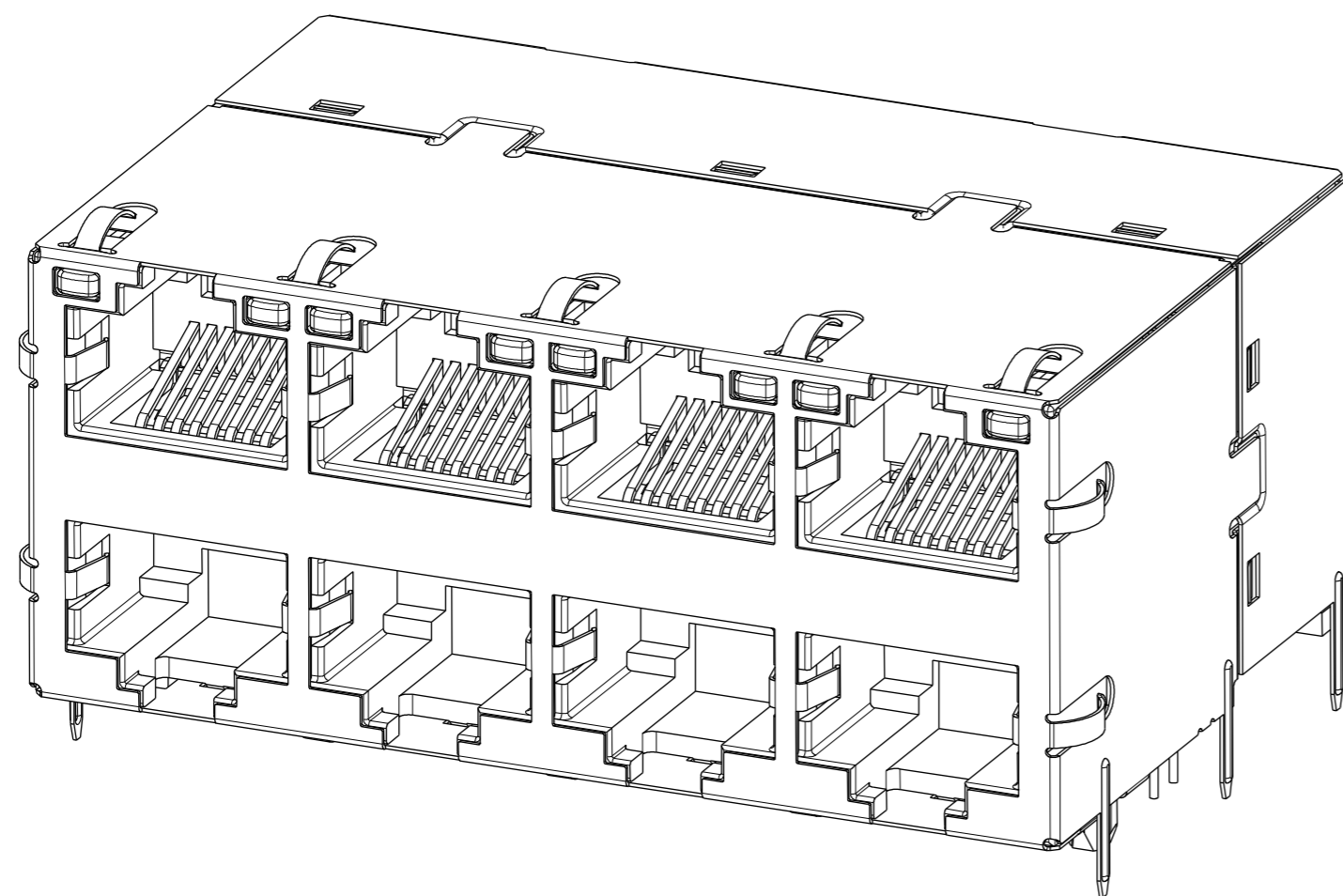


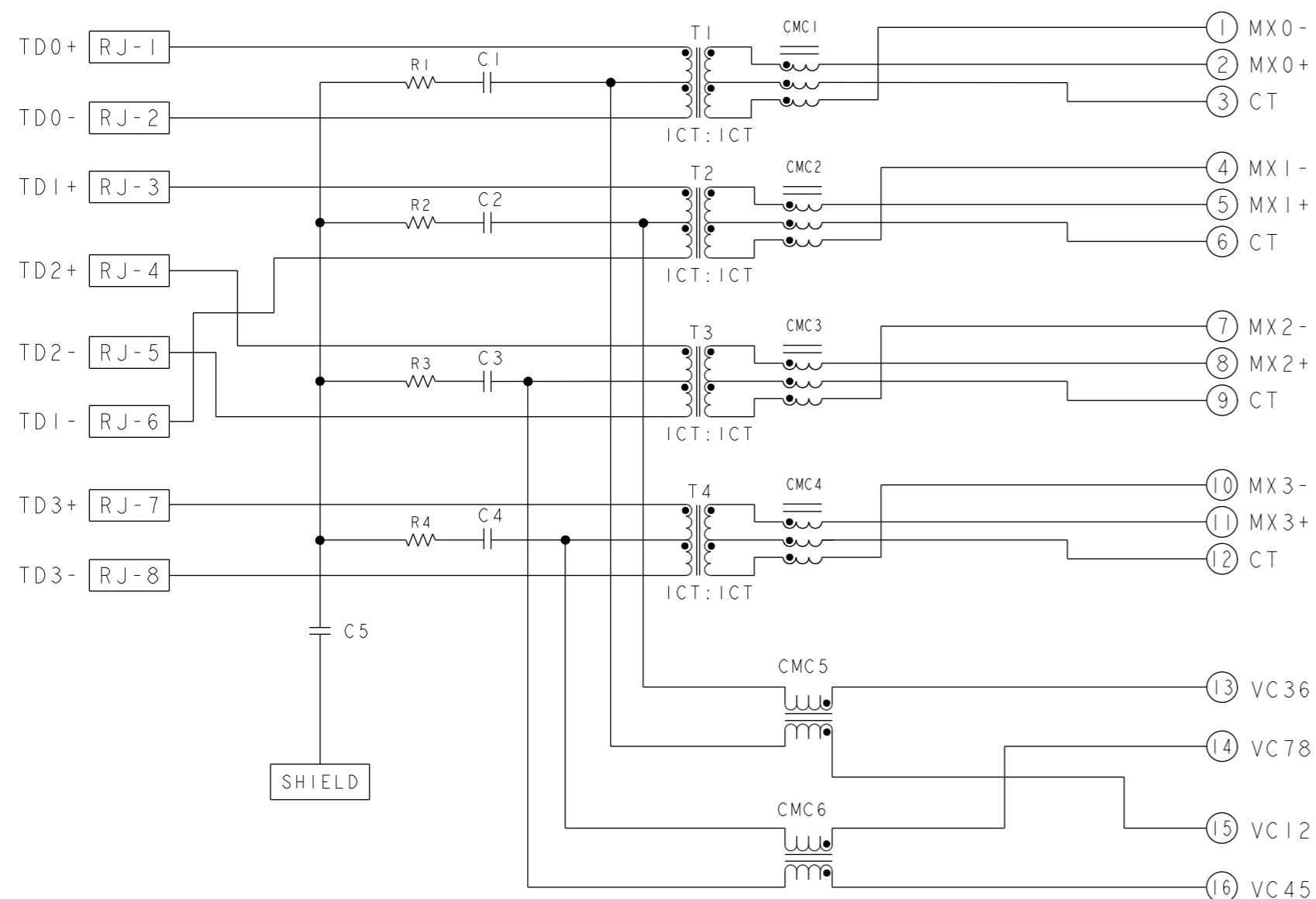
THIS DRAWING AND THE SUBJECT MATTER SHOWN THEREON ARE CONFIDENTIAL AND THE PROPERTY OF BEL/STEWART/TRP CONNECTOR AND SHALL NOT BE REPRODUCED, COPIED, OR USED IN ANY MANNER WITHOUT THE WRITTEN CONSENT OF TRP CONNECTOR.

PRODUCT MAY BE PROTECTED BY ONE OR MORE OF THE FOLLOWING US PATENTS:
 5736910 5939955 6425781 6428361 6554638 6840817 7123117
 7429195 7717749 7808751 6217391 6149050 7924130

REVISIONS				
P	LYR	DESCRIPTION	DATE	OWN
2		SEE FINAL SHEET	13MAY2021	RL TY



S9HFG17ET 5G 4PPOE CIRCUIT ²/₇
 TOP AND BOTTOM PORTS



C1-C4 = 22nF, 100V, CAPACITORS
 C5 = 1000pF, 3kV, CAPACITOR
 R1-R4 = 75 Ohms, 1/16W, RESISTORS

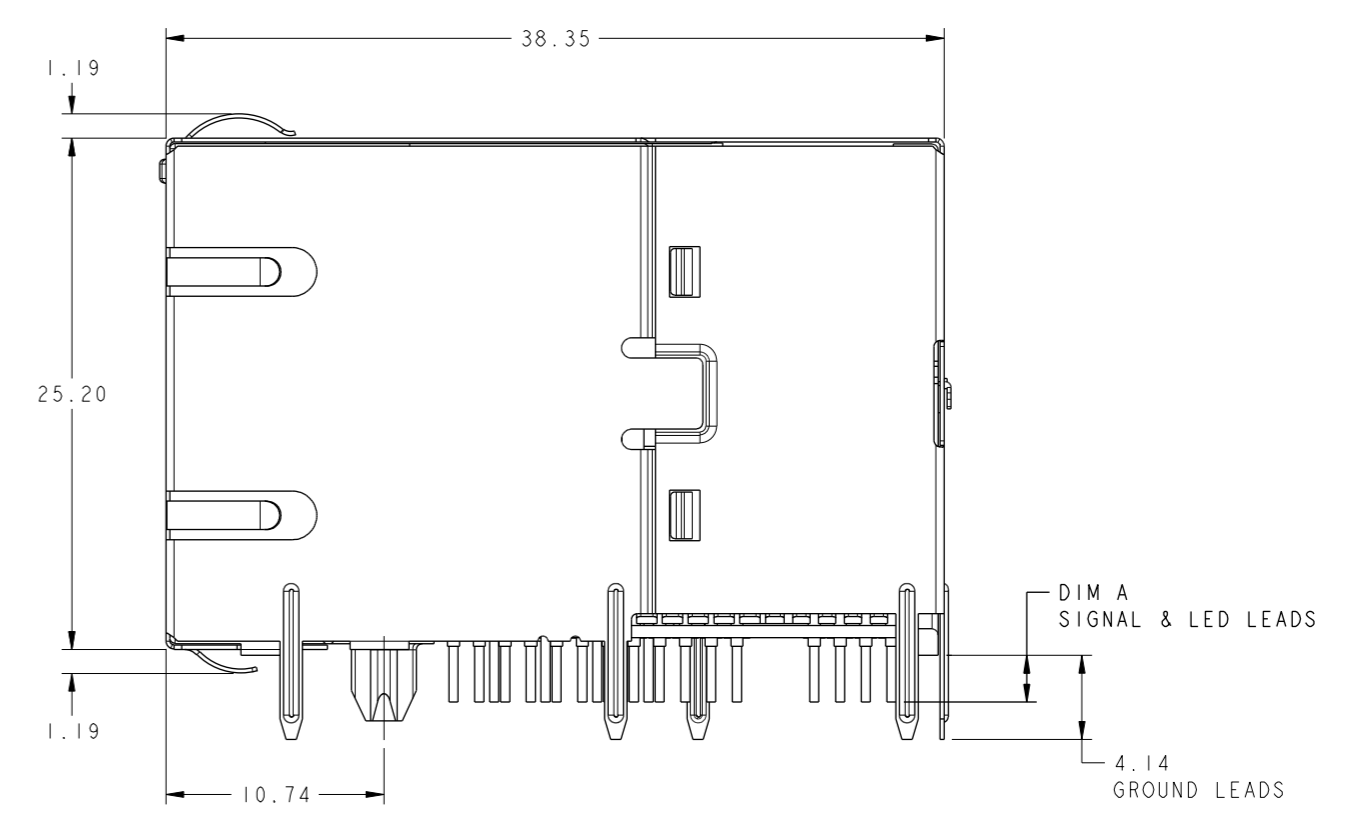
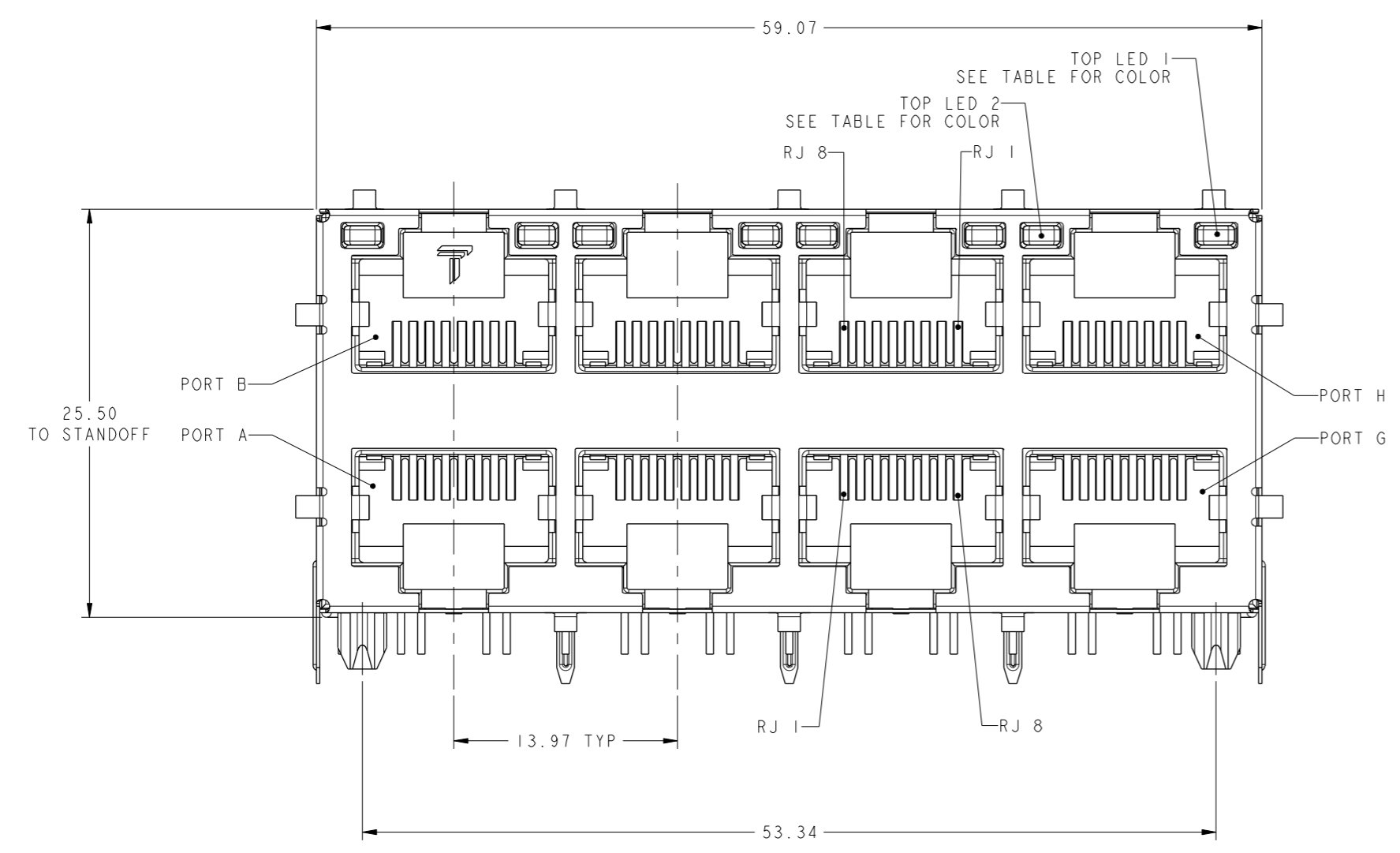
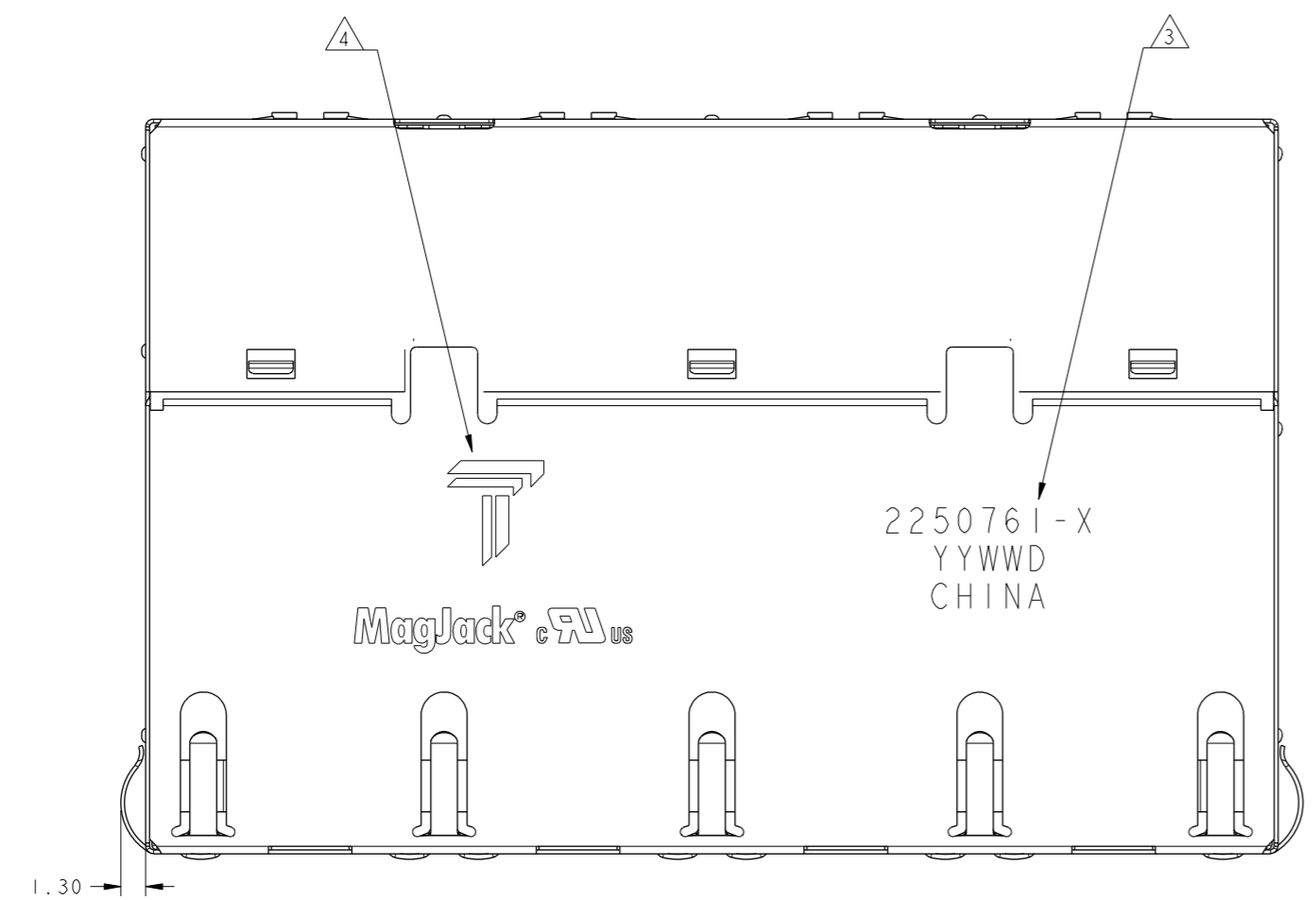
1. MATERIALS:
 PLASTIC HOUSING: BLACK, THERMOPLASTIC FLAMMABILITY RATING UL 94V-0
 SHIELD: BRASS, PREPLATED WITH 0.76um MIN SEMI-BRIGHT NICKEL,
 POST DIPPED WITH 2.54um MIN SAC SOLDER OR PURE TIN SOLDER DIP
 ON SOLDER TAILS,
 CONTACTS: PHOSPHOR BRONZE, 1.27um MIN OVERALL NICKEL
 UNDERPLATE WITH SELECT 1.27um MIN GOLD AT MATING INTERFACE AND
 2.54um MIN MATTE TIN ON SOLDER TAILS.
 LED: DIFFUSED EPOXY LENS, CARBON STEEL LEAD FRAME TAILS OF LED
 ARE PREPLATED WITH 2.03um MIN SILVER OVER 1.02um MIN NICKEL
 UNDERPLATE OVER 1.02um MIN COPPER UNDERPLATE. POST-PLATED WITH
 2.54um MIN MATTE TIN AND/OR SAC SOLDER DIP OR PURE TIN SOLDER DIP

2. MAGNETICS
 APPLICATION: 5G BASE-T, 4PPOE
 IMPEDANCE: 100 OHMS
 TURNS RATIO (CHIP: CABLE): 1:1 ALL FOUR PAIRS
 OPEN CIRCUIT INDUCTANCE (OCL):
 ALL CHANNELS 120uH MIN @ 100kHz, 0.1 VRMS WITH 19mA DC BIAS
 ALL CHANNELS 160uH MIN @ 100kHz, 0.1 VRMS WITH 8mA DC BIAS
 ALL FOUR PAIRS BI-DIRECTIONAL
 POE CURRENT: 600mA DC
 PERFORMANCE @ 25°C (WHERE f IS FREQUENCY IN MHz):
 (a) INSERTION LOSS (MIN)
 1MHz TO 200MHz = -0.8 dB
 200MHz TO 250MHz = -1.4 dB
 (b) RETURN LOSS (MAX)
 1MHz TO 40MHz = -18 dB
 40MHz TO 250MHz = -18+10*LOG10(f/40) dB
 (c) CROSSTALK ATTENUATION (MAX)
 1MHz TO 250MHz = -20dB
 (d) COMMON MODE REJECTION (MAX)
 1MHz TO 250MHz = -20dB
 250MHz TO 500MHz = -20+25*LOG10(f/250)
 ISOLATION VOLTAGE: 2250VDC(MAX) FOR 60 SECONDS WITH A RISE TIME OF
 500V/SEC AND WITH ALL PORTS CONNECTED.

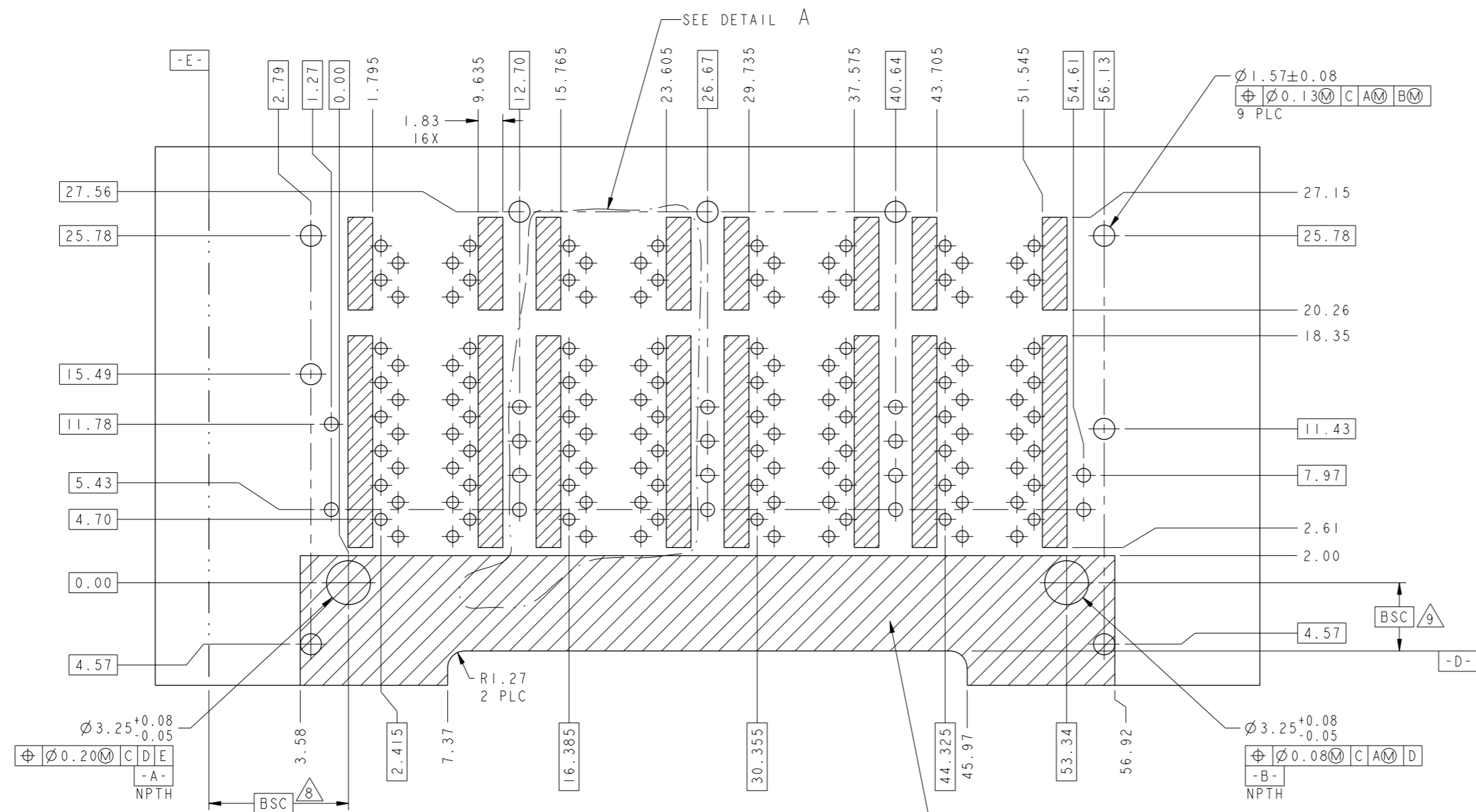
3. PART NUMBER, DATE CODE AND COUNTRY OF ORIGIN ARE LOCATED IN APPROXIMATE AREA SHOWN.
 DATE CODE: YYWW WHERE "YY" IS YEAR, "WW" IS WORK WEEK, "D" IS DAY OF WEEK, WITH SUNDAY = 1
4. TRP CONNECTOR LOGO AND AGENCY APPROVAL LOGO ARE LOCATED IN APPROXIMATE AREA SHOWN.
5. OPERATING TEMP: FROM -40°C TO 85°C.
6. RJ45 CAVITY CONFORMS TO FCC RULES AND REGULATION PART 68 SUBPART F.
7. INDICATED MAGNETIC CONNECTIONS ARE SYMMETRICAL AND SUPPORT AUTO-MDI/MDIX.
8. DATUM AND BASIC DIMENSION ESTABLISHED BY CUSTOMER.
9. BASIC DIMENSION ESTABLISHED BY CUSTOMER, BUT MAY NOT BE GREATER THAN 5.08mm.
10. LEDs ARE DRIVEN WITH CONSTANT CURRENT AT APPROX 20mA
 LED COLOR: DOMINANT WAVELENGTH (λD): GREEN 568 nm TYP. @ IF=20mA
 FORWARD VOLTAGE (VF): GREEN 2.2V TYP. @ IF=20mA
 DOMINANT WAVELENGTH (λD): ORANGE 605 nm TYP. @ IF=20mA
 FORWARD VOLTAGE (VF): ORANGE 2.1V TYP. @ IF=20mA
11. THE PARTS ARE RECOMMENDED FOR WAVE SOLDERING PROCESS,
 PEAK TEMPERATURE 260°C MAX, 10 SECONDS MAX.

3.60	GREEN/ORANGE	GREEN/ORANGE	2250761-1
DIM A	TOP LED 2	TOP LED 1	PART NUMBER

THIS DRAWING IS A CONTROLLED DOCUMENT AND COMPLIANT TO ASME Y14.5M		OWN: RICK LI 27APR2021	 trp CONNECTOR a bel group DONGGUAN CHINA
DIMENSIONS: mm		CHK: BILL LIU 27APR2021	
TOLERANCES UNLESS OTHERWISE SPECIFIED:		APPV: TONY YUAN 27APR2021	
0 PLC ±0.25 1 PLC ±0.25 2 PLC ±0.25 3 PLC ± 4 PLC ± ANGLES ± APPLICATION SPEC	MODEL NAME: MAGJACK STACK 4PPOE SIZE: A1 SCALE: NTS SHEET: 1 of 5 REV: 2	DESC: 2X4 S9HFG17ET 5G 4PPOE CIRCUIT, W/ TOP LED CAGE CODE: 2250761 RESTRICTED TO: CUSTOMER DRAWING	

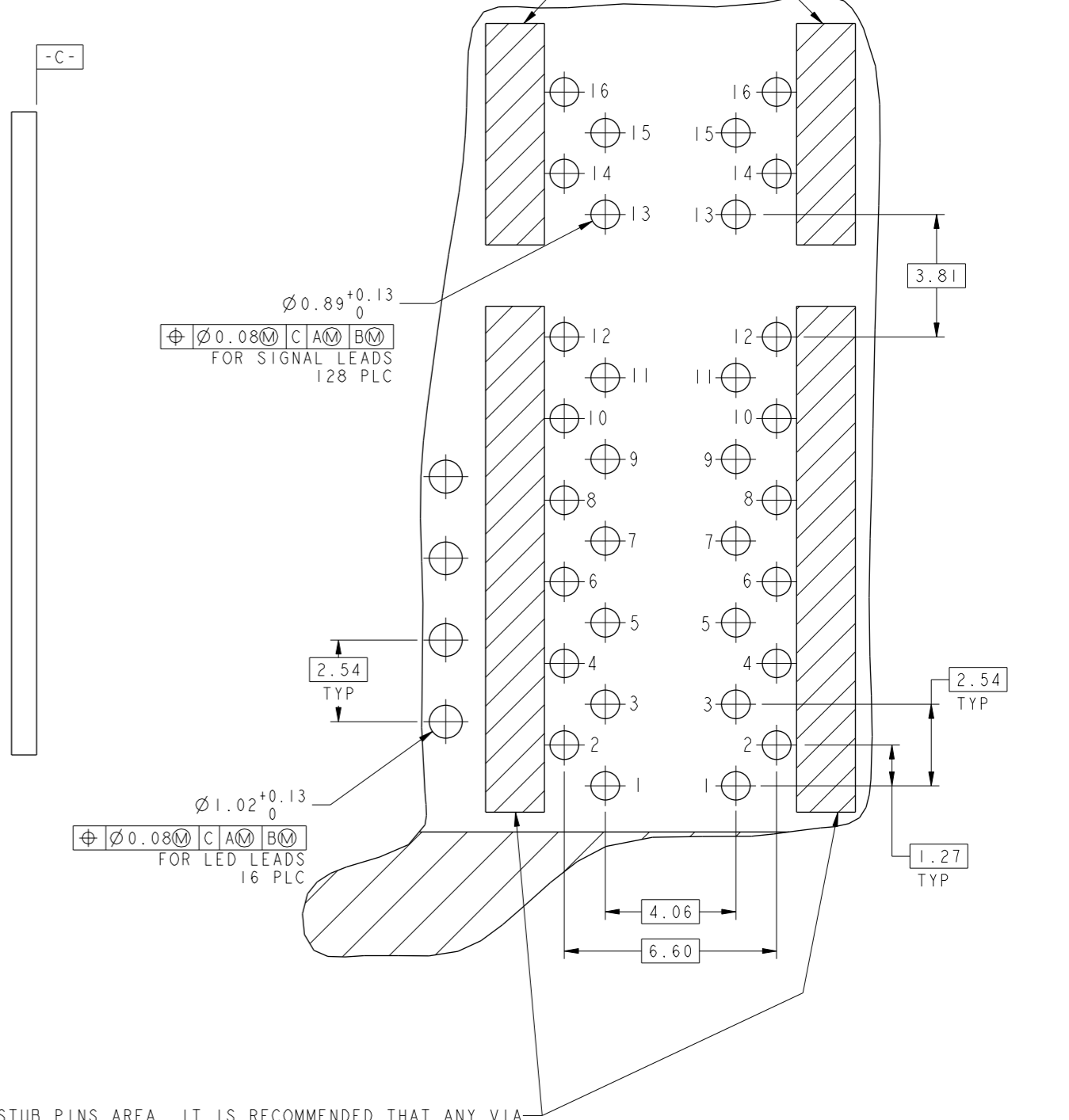


THIS DRAWING IS A CONTROLLED DOCUMENT. AND COMPLIANT TO ASME Y14.5M		DNW RICK LI 27APR2021	<p>trp CONNECTOR a bel group DONGGUAN CHINA</p>	REV 2	
DIMENSIONS: mm		CHK BILL LIU 27APR2021		DESC 2X4 S9HF617ET 5G 4PPOE CIRCUIT, W/ TOP LED	RESTRICTED TO
TOLERANCES UNLESS OTHERWISE SPECIFIED:		APPV TONY YUAN 27APR2021		MODEL NAME MAGJACK STACK 4PPOE	SCALE NTS
0 PLC	±0.25	MODEL NAME	SIZE A1	SHEET 2	
1 PLC	±0.25	DESC	CAGE CODE C=2250761	OF 5	
2 PLC	±0.25	MODEL NAME	DRAWING NO	REV 2	
3 PLC	±	DESC	CUSTOMER DRAWING		
4 PLC	±	MODEL NAME			
ANGLES	±	DESC			
APPLICATION SPEC	-	MODEL NAME			

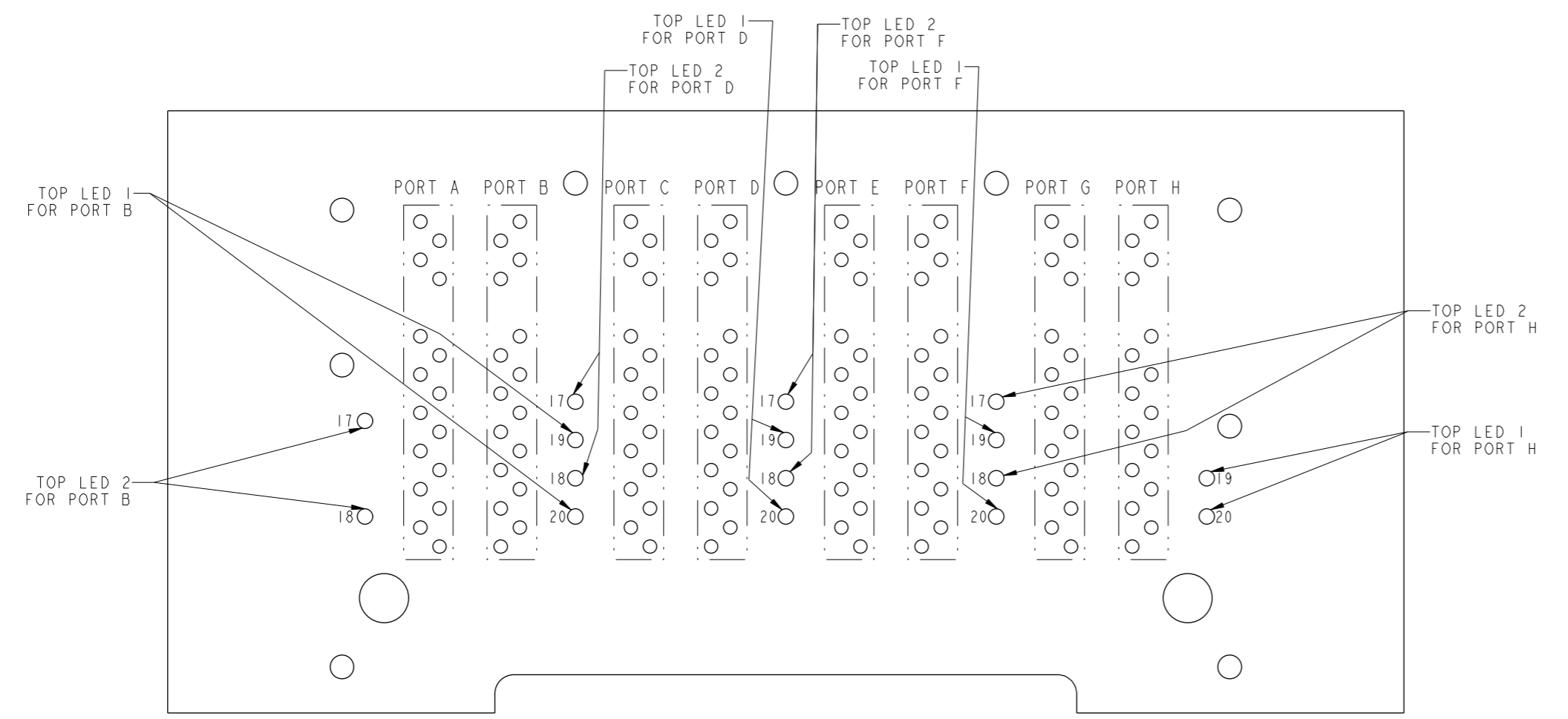


RECOMMENDED PCB LAYOUT COMPONENT SIDE VIEW

POE STUB PINS AREA. IT IS RECOMMENDED THAT ANY VIA HOLES, TRACES WHICH HAVE EQUAL POTENTIAL AS THE PHY SIDE SIGNALS OR GROUND SHOULD HAVE ENOUGH CLEARANCE FROM THE SHADED AREA FOR ISOLATION VOLTAGE.

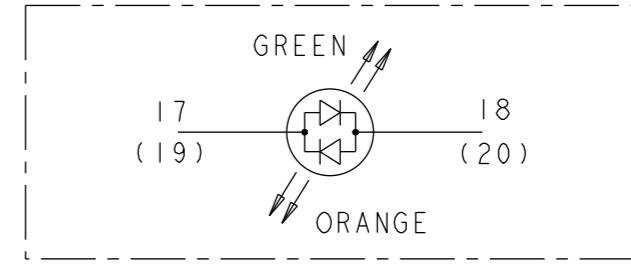


DETAIL A SCALE 8:1

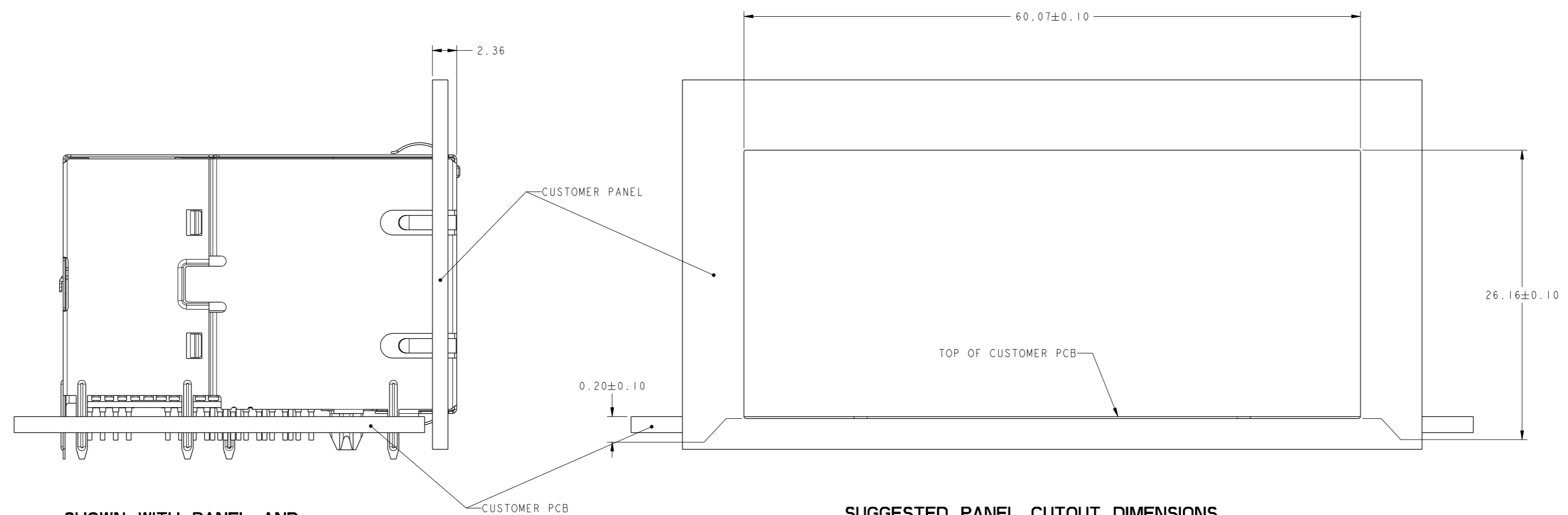


PORT ASSIGNMENT & LED HOLE DESIGNATIONS COMPONENT SIDE VIEW

BI-COLOR LED



THIS DRAWING IS A CONTROLLED DOCUMENT AND COMPLIANT TO ASME Y14.5M		DWN: RICK LI 27APR2021 CHK: BILL LIU 27APR2021 APPR: TONY YUAN 27APR2021	TRP CONNECTOR a bel group DONGGUAN CHINA
DIMENSIONS: mm TOLERANCES UNLESS OTHERWISE SPECIFIED: 0 PLC ±0.25 1 PLC ±0.25 2 PLC ±0.25 3 PLC ± 4 PLC ± ANGLES: APPLICATION SPEC		MODEL NAME: MAGJACK STACK 4PPOE DESC: 2X4 S9HF617ET 5G 4PPOE CIRCUIT, W/ TOP LED SIZE: A1 CAGE CODE: C=2250761 RESTRICTED TO:	
PRODUCT SPEC: 108-104017		CUSTOMER DRAWING	SCALE: NTS SHEET: 3 of 5 REV: 2




SHOWN WITH PANEL AND CUSTOMER PCB ASSEMBLY

SUGGESTED PANEL CUTOUT DIMENSIONS

THIS DRAWING IS A CONTROLLED DOCUMENT. AND COMPLIANT TO ASME Y14.5M		DWN: RICK LI 27APR2021 CKD: BILL LIU 27APR2021 APPR: TONY YUAN 27APR2021	DONGGUAN CHINA
DIMENSIONS: mm	TOLERANCES UNLESS OTHERWISE SPECIFIED: 0 PLC ±0.25 1 PLC ±0.25 2 PLC ±0.25 3 PLC ± 4 PLC ± ANGLES ± APPLICATION SPEC -	MODEL NAME: MAGJACK STACK 4PPOE DESC: 2X4 S9HFG17ET 5G 4PPOE CIRCUIT, W/ TOP LED	
PRODUCT SPEC: 108-104017		SIZE: A1 CAGE CODE: C=2250761 DRAWING NO: CUSTOMER DRAWING	RESTRICTED TO: SCALE: NTS SHEET 4 OF 5 REV 2

2250761					STOCK DISPOSITION			
2X4 S9HFG17ET 5G 4PPOE CIRCUIT, W/ TOP LED					A: CONTINUE AS IS D: USE OLD FIRST B: REWORK E: PARTS TO CONFORM C: SCRAP F: OTHER			
REVISION HISTORY								
DATE	REV	CHANGES	REASON	APPROVAL	INVENTORY (A,B,C,D,E,F)	WORK IN PROCESS (A,B,C,F)	SUPPLIER ORDERS (A,E,F)	OPEN CUST ORDERS (A,E,F)
27APR2021	1	-	INITIAL RELEASE	TY	-	-	-	-
13MAY2021	2	CHANGE CIRCUIT, CHANGE MAGNETIC SPEC, CHANGE BOTTOM EMI FINGER PROFILE, CHANGE THE PANEL LOCATION	CUSTOMER REQUEST	TY	-	-	-	-

THIS DRAWING IS A CONTROLLED DOCUMENT. AND COMPLIANT TO ASME Y14.5M		DNW RICK LI 27APR2021	 trp CONNECTOR a bel group	DONGGUAN CHINA	
DIMENSIONS: mm		CHK BILL LIU 27APR2021		DESC 2X4 S9HFG17ET 5G 4PPOE CIRCUIT, W/ TOP LED	
TOLERANCES UNLESS OTHERWISE SPECIFIED:		APPD TONY YUAN 27APR2021	RESTRICTED TO		
0 PLC ±0.25 1 PLC ±0.25 2 PLC ±0.25 3 PLC ± 4 PLC ±		MODEL NAME MAGJACK STACK 4PPOE	SIZE A1	CAGE CODE C=2250761	SCALE NTS
PRODUCT SPEC 108-104017		APPLICATION SPEC -	CUSTOMER DRAWING	SHEET 5	REV 2