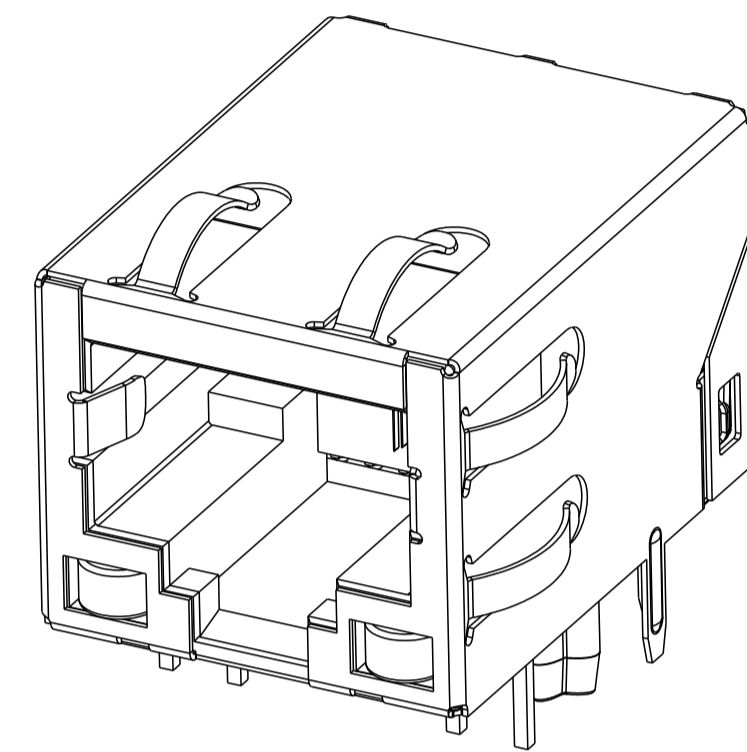
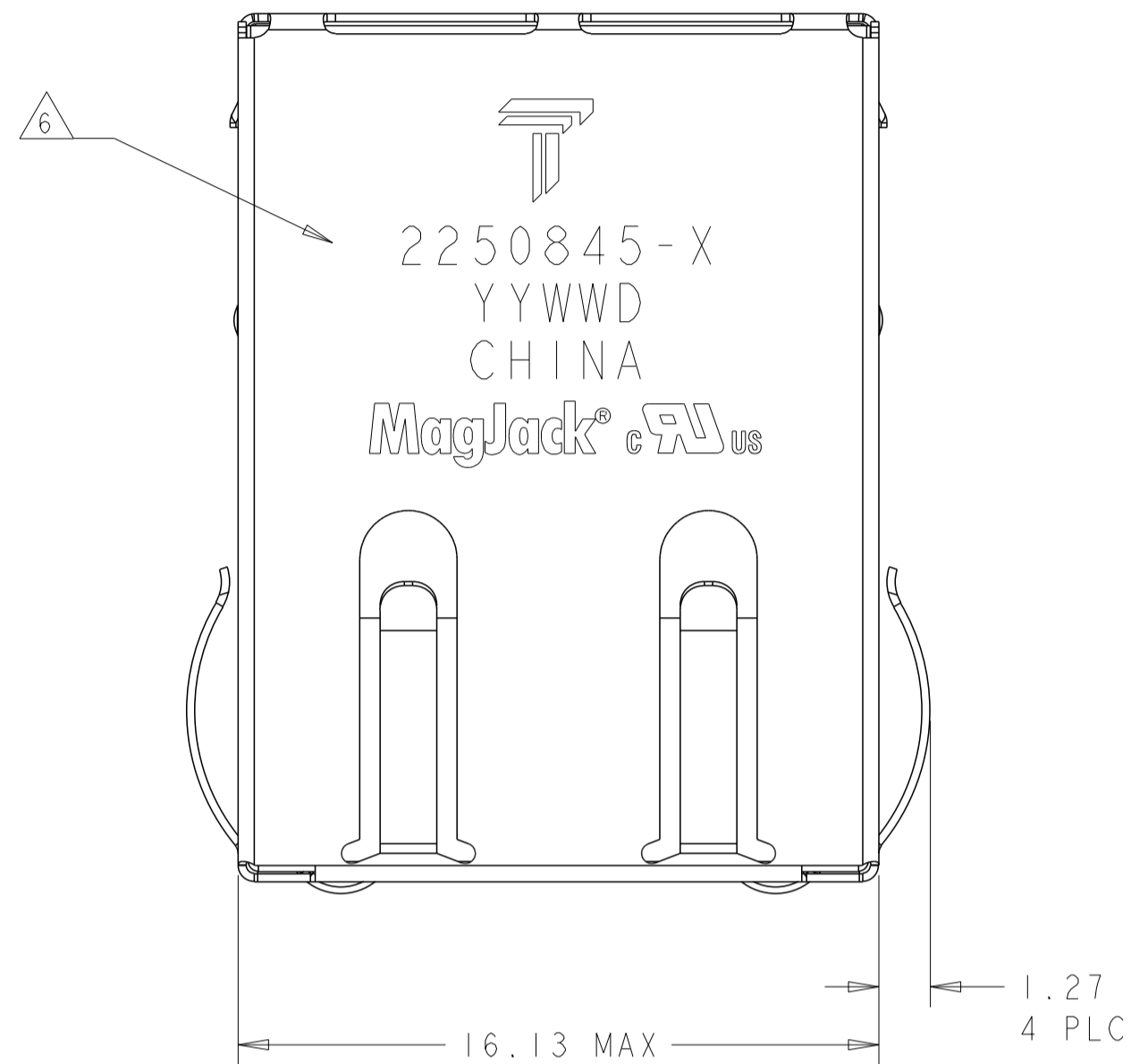


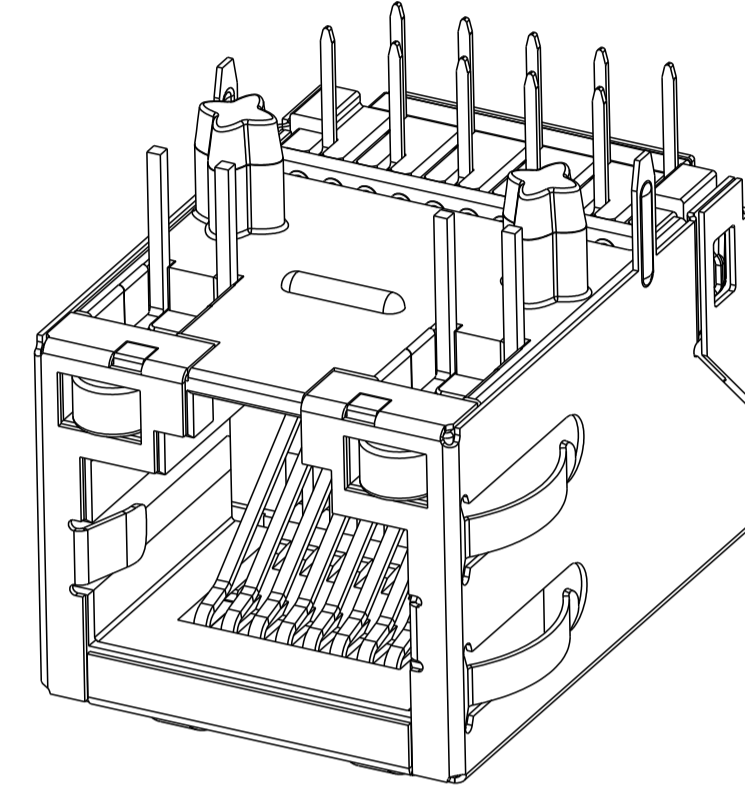
THIS DRAWING AND THE SUBJECT MATTER SHOWN THEREON ARE CONFIDENTIAL AND THE PROPERTY OF BEL/STEWART/TRP CONNECTOR AND SHALL NOT BE REPRODUCED, COPIED, OR USED IN ANY MANNER WITHOUT THE WRITTEN CONSENT OF TRP CONNECTOR.

PRODUCT MAY BE PROTECTED BY ONE OR MORE OF THE FOLLOWING US PATENTS:
 5736910 5939955 6425781 6428361 6554638 6840817 7123117
 7429195 7717749 7808751 6217391 6149050 7924130

REVISIONS				
#	DATE	DESCRIPTION	BY	APPV
2	21FEB2023	SEE LAST SHEET	JY	TY



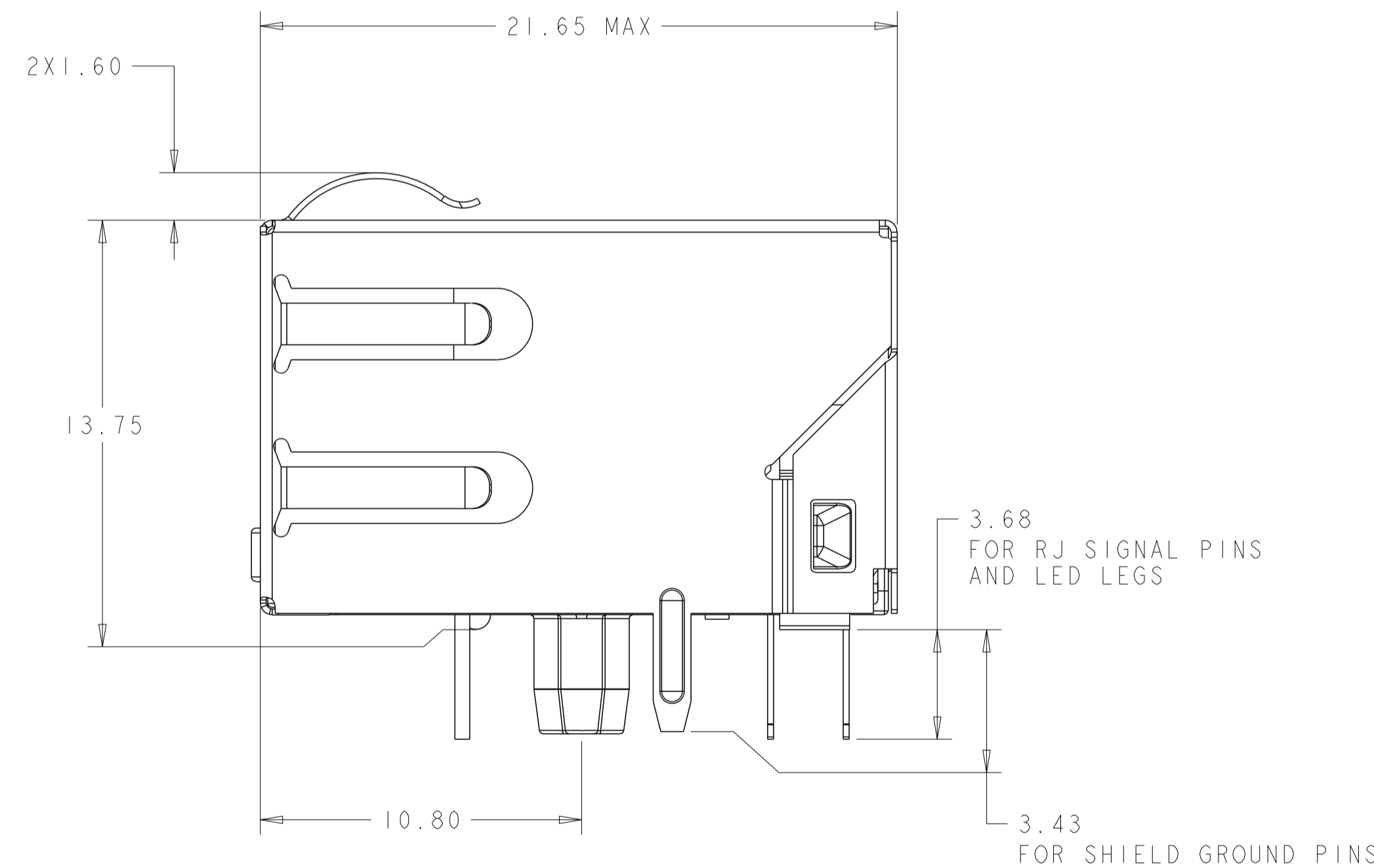
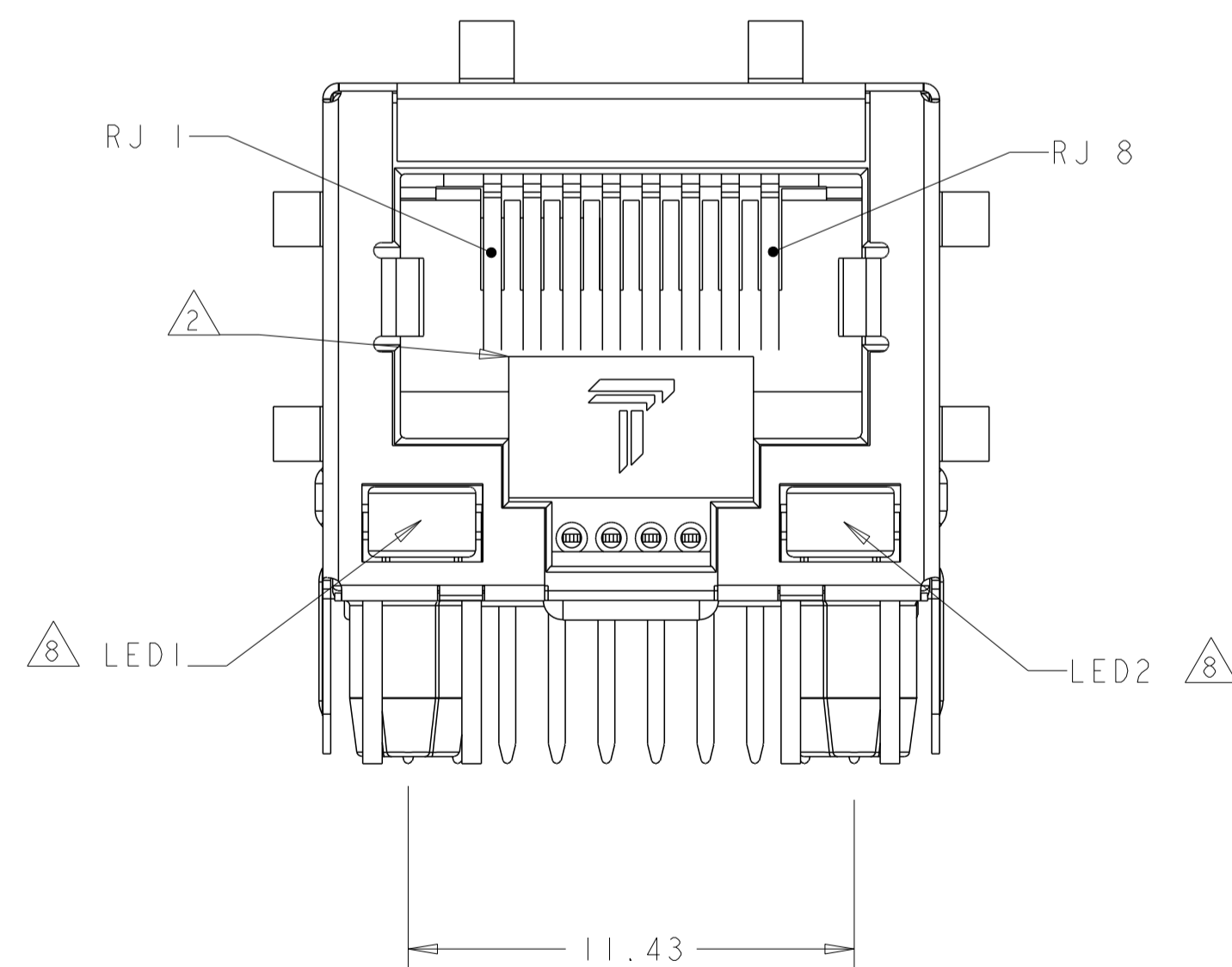
SCALE 4:1



SCALE 4:1

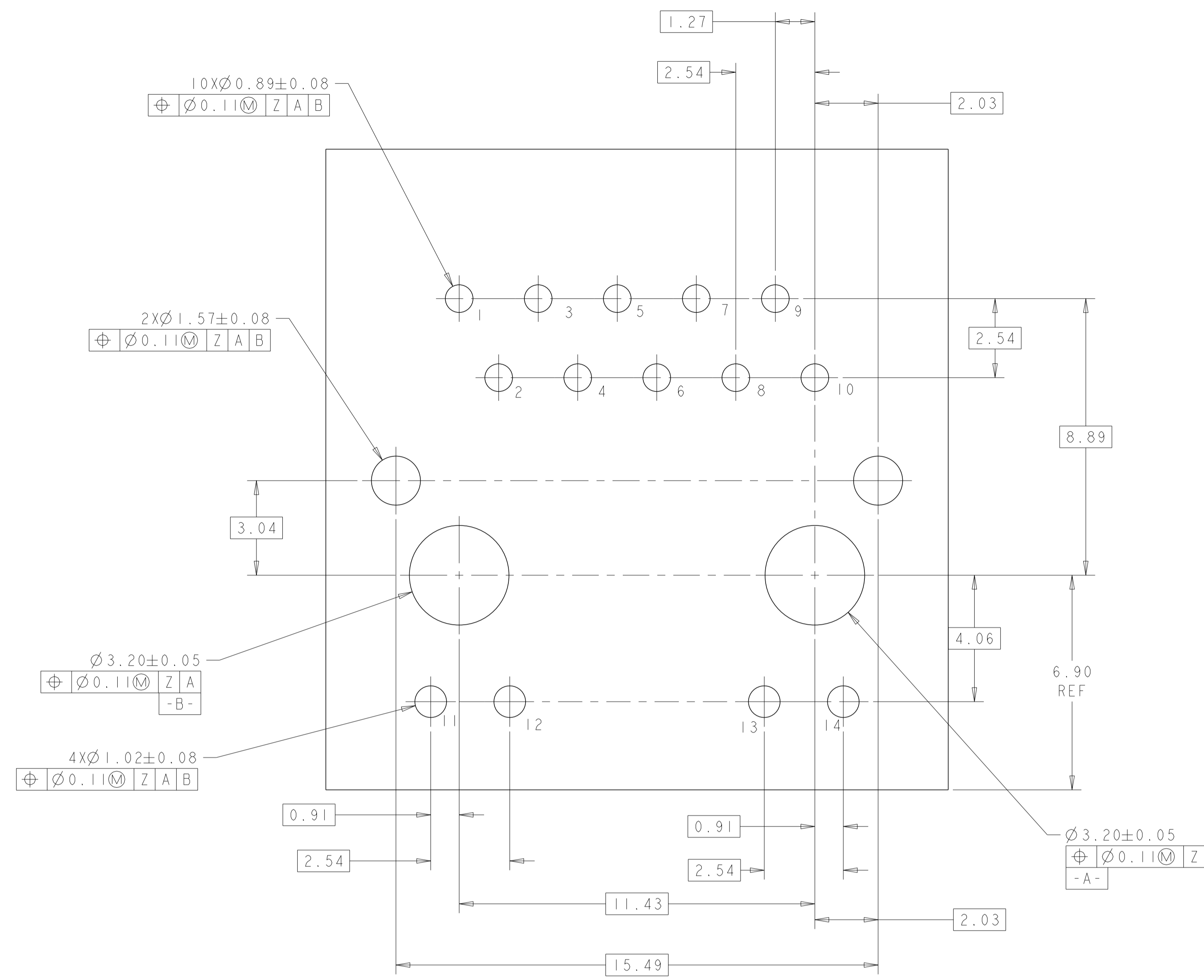
NOTES:

1. MATERIALS
 - HOUSING: THERMOPLASTIC, FLAMMABILITY RATING UL 94V-0.
 - SHIELD: BRASS 0.20mm THICK, PREPLATED WITH 0.76um MIN SEMI-BRIGHT NICKEL. SOLDER TABS POST DIPPED WITH 2.54um MIN SAC SOLDER.
 - CONTACTS: PHOSPHOR BRONZE 0.46mm X 0.30mm, PHOSPHOR BRONZE, 1.27um MIN NICKEL UNDERPLATE, WITH 1.27um MIN GOLD PLATING AT MATING INTERFACE AND 2.54um MIN MATTE TIN ON SOLDER SIDE.
 - SOLDER TAILS: 0.25mm THICK, PHOSPHOR BRONZE, 1.27um MIN OVERALL NICKEL UNDERPLATE, 3um TIN PLATE
 - LIGHT EMITTING DIODE (LED): DIFFUSED EPOXY LENS, 0.5mm X 0.5mm CARBON STEEL WIREFRAME LEADS PREPLATED WITH 2.03um MIN SILVER PLATE OVER 1.02um MIN NICKEL OVER 1.02um MIN COPPER UNDERPLATE; LEADS POST-PLATED WITH 3.05um MIN MATTE TIN AND/OR SAC SOLDER DIP OR PURE TIN SOLDER DIP
2. RJ45 JACK CAVITY CONFORMS TO FCC RULES AND REGULATIONS PART 68 SUB PART F.
3. MAGNETICS
 - APPLICATION: 1G/2.5G BASE-T, EXTENDED TEMPERATURE
 - IMPEDANCE: 100 OHMS
 - TURNS RATIO (CHIP:CABLE): 1:1 ALL FOUR PAIRS
 - OPEN CIRCUIT INDUCTANCE (OCL): ALL CHANNELS 180uH MIN @ 100KHz, 0.1 VRMS WITH 8mA DC BIAS.
 - ALL FOUR PAIRS BI-DIRECTIONAL
 - PERFORMANCE @ 25°C (WHERE f IS FREQUENCY IN MHZ):
 - (a) INSERTION LOSS (MIN)
 - 1MHz TO 125MHz = -0.004*f - 0.5 dB
 - (b) RETURN LOSS (MAX)
 - 1MHz TO 40MHz = -16 dB
 - 40MHz TO 125MHz = -16+10*LOG10(f/40) dB
 - (c) CROSSTALK ATTENUATION (MAX)
 - 1MHz TO 40MHz = -35dB
 - 40MHz TO 125MHz = -33+20* LOG10(f/50) dB
 - (d) COMMON MODE REJECTION (MAX)
 - 1MHz TO 125MHz = -25dB
 - ISOLATION VOLTAGE: 2250VDC(MAX) FOR 60 SECONDS WITH A RISE TIME OF 500V/SEC.
4. OPERATING TEMPERATURE: FROM -40°C TO 85°C.
5. INDICATED MAGNETIC CONNECTIONS ARE SYMMETRICAL TO SUPPORT AUTO-MDI/MDIX.
6. TRP CONNECTOR LOGO, PART NUMBER, DATE CODE, COUNTRY OF ORIGIN AND AGENCY APPROVAL MARKING IN APPROXIMATE LOCATION SHOWN.
7. THIS PART IS COMPLIANT TO WAVE SOLDERING PROCESS, PREHEAT TEMPERATURE IS 120°C TO 160°C, 120 SECONDS TO 180 SECONDS, PEAK WAVE SOLDERING TEMPERATURE IS 260°C MAX, 10 SECONDS MAX.
8. LEDs ARE DRIVEN WITH CONSTANT CURRENT AT APPROX 20mA
 LED COLOR: DOMINATE WAVELENGTH (λD): GREEN 568 nm TYP. AT IF = 20mA
 FORWARD VOLTAGE (VF): GREEN 2.2V TYP. at IF = 20mA
 DOMINATE WAVELENGTH (λD): YELLOW 588 nm TYP. AT IF = 20mA
 FORWARD VOLTAGE (VF): YELLOW 2.1V TYP. at IF = 20mA

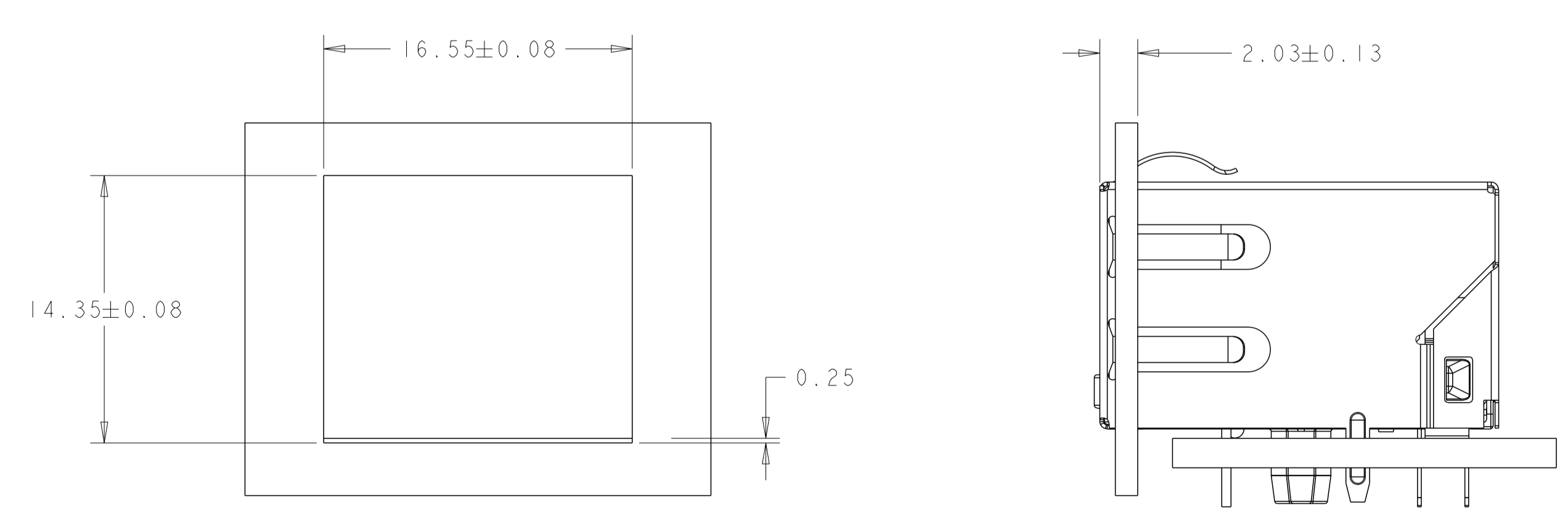


GREEN	YELLOW	GREEN	-	2250845-1
11 → 12	12 → 11	13 → 14	14 → 13	PART NUMBER
LED 1		LED 2		

THIS DRAWING IS A CONTROLLED DOCUMENT. AND COMPLIANT TO ASME Y14.5M		OWN: JARRY YE / 14FEB2023	 TRP CONNECTOR a bel group DONGGUAN CHINA
DIMENSIONS: mm		CHK: TOWER YU / BILL LIU / 14FEB2023	
TOLERANCES UNLESS OTHERWISE SPECIFIED:		APPV: TONY YUAN / 14FEB2023	MODEL NAME: MAGJACK
0 PLC ±0.25 1 PLC ±0.25 2 PLC ±0.25 3 PLC ± 4 PLC ± ANGLES ± APPLICATION SPEC ±		PRODUCT SPEC: 108-104004	DESC: 1X1 40T46ET 2.5G CIRCUIT TAB DOWN W/ LED
		SCALE: 4:1	RESTRICTED TO: -
		CUSTOMER DRAWING	SIZE: A1
		SCALE: 4:1	SHEET 1 OF 3
		SCALE: 4:1	REV 2

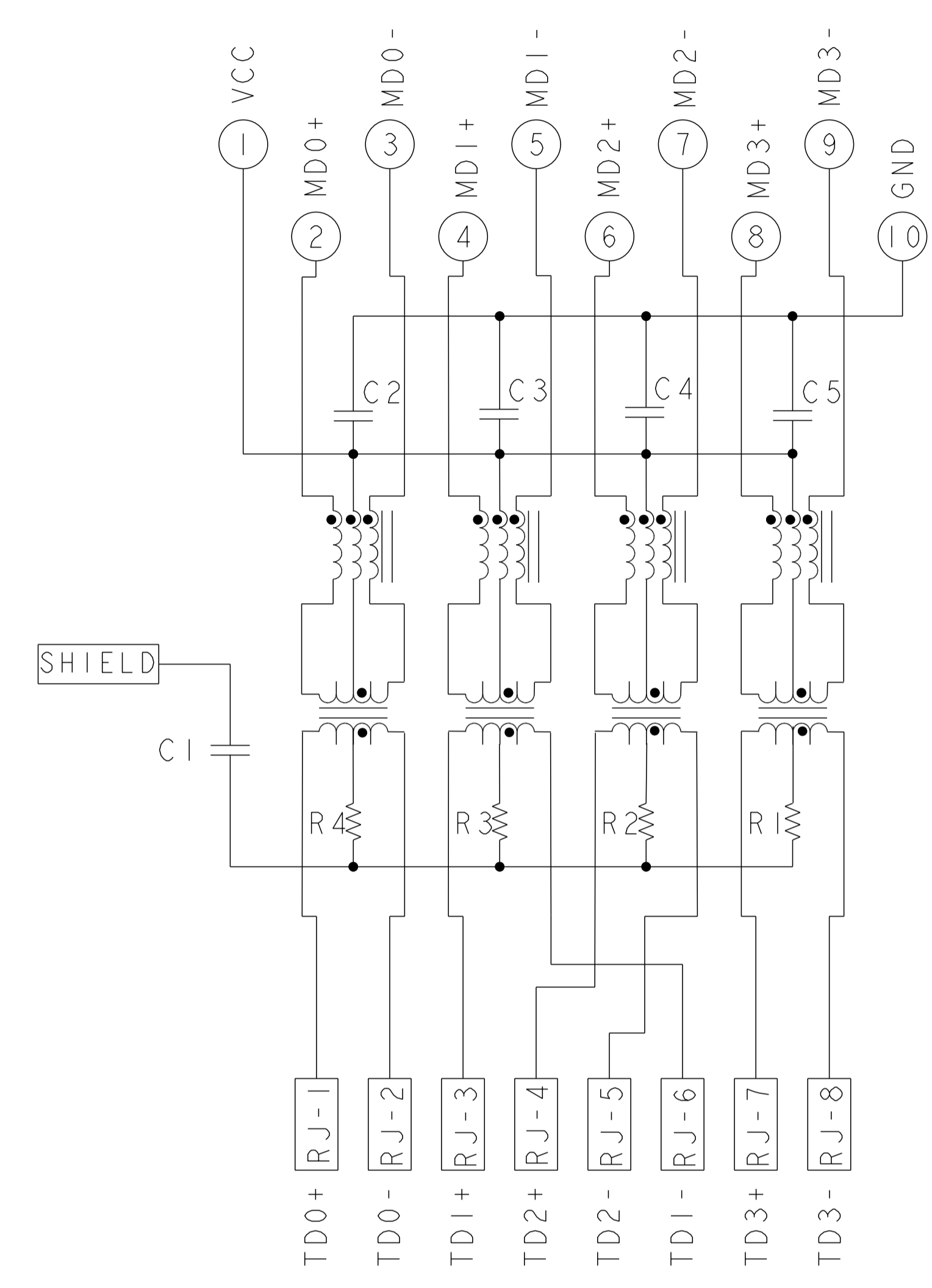


SUGGESTED PCB LAYOUT
 (COMPONENT SIDE)



SUGGESTED PANEL OPENING


4QT46ET 2.5G CIRCUIT $\triangle 3/5$



C1=1000pF, 2kV, CAPACITOR
 R1-R4=75 Ohms, RESISTORS
 C2-C5=0.1uF, 50V CAPACITOR

THIS DRAWING IS A CONTROLLED DOCUMENT. AND COMPLIANT TO ASME Y14.5M		DWN: JARRY YE / 14FEB2023 CHK: TOWER YU / BILL LIU / 14FEB2023 APVD: TONY YUAN / 14FEB2023 MODEL NAME: MAGJACK DESC: 1X1 4QT46ET 2.5G CIRCUIT TAB DOWN W/ LED	DONGGUAN CHINA
DIMENSIONS: mm 0 PLC ± 0.25 1 PLC ± 0.25 2 PLC ± 0.25 3 PLC ± 0.25 4 PLC ± 0.25 ANGLES: \pm APPLICATION SPEC: \pm	TOLERANCES UNLESS OTHERWISE SPECIFIED: PRODUCT SPEC: 108-104004 APPLICATION SPEC: -	SIZE: A1 CAGE CODE: C=2250845 DRAWING NO: 108-104004 CUSTOMER DRAWING	

C_2250845					STOCK DISPOSITION			
REVISION HISTORY					A: CONTINUE AS IS B: REWORK C: SCRAP		D: USE OLD FIRST E: PARTS TO CONFORM F: OTHER	
DATE	REV	CHANGES	REASON	APPROVAL	INVENTORY (A,B,C,D,E,F)	WORK IN PROCESS (A,B,C,F)	SUPPLIER ORDERS (A,E,F)	OPEN CUST ORDERS (A,E,F)
14FEB2023	1		INITIAL RELEASE	TONY YUAN	-	-	-	-
21FEB2023	2	CORRECT THE LENGTH OF LED LEGS TO MEET 3.68mm FOR ALL VIEW.	DRAWING CLARIFICATION	TONY YUAN	-	-	-	-

THIS DRAWING IS A CONTROLLED DOCUMENT. AND COMPLIANT TO ASME Y14.5M		OWN: JARRY YE / FRANK LIU CHK: TOWER YU / BILL LIU APPD: TONY YUAN	14FEB2023 14FEB2023 14FEB2023	 trp CONNECTOR DONGGUAN CHINA
DIMENSIONS: mm	TOLERANCES UNLESS OTHERWISE SPECIFIED: 0 PLC ±0.25 1 PLC ±0.25 2 PLC ±0.25 3 PLC ± 4 PLC ± ANGLES APPLICATION SPEC	MODEL NAME MAGJACK	DESC 1X1 40T46ET 2.5G CIRCUIT TAB DOWN W/ LED	
PRODUCT SPEC 108-104004		SINGLE Non-PoE	SIZE A1	RESTRICTED TO
CUSTOMER DRAWING		SCALE 4:1	DRAWING NO C=2250845	SHEET 3 OF 3 REV 2