

# LDX-L30

## Dual Voltage Battery Housing

LDX-L30 was designed for housing 2 standard sealed lead acid batteries with user settable voltage to 12 / 24 V without changing the batteries.

LDX-L30 is intended for general use such as in industrial control, communication, and instrumentation equipment and is designed to be mounted on DIN rail and installed inside a protective enclosure.



### FEATURES

- Designed for hosting 2 standard sealed lead acid batteries 12 VDC / 1.2 Ah (Batteries are not included)
- Settable output voltage: 12 VDC / 2.4 Ah or 24 VDC / 1.2 Ah
- Operating ambient temperature range -20°C to +40°C
- (or according to battery limits)
- Integrated self-resettable overcurrent protection
- DIN Rail installation
- Compact size in aluminum enclosure
- Dimensions: 54 x 115 x 110 mm



## 1. MODEL SELECTION

MODEL	BATTERY HOUSING	MAX CHARGING CURRENT	MAX DISCHARGE CURRENT	VOLTAGE / CAPACITY
LDX-L30	2 x 12 VDC / 1.2 Ah	12 VDC / 0.6 A 24 VDC / 0.3 A	12 VDC / 5 A 24 VDC / 3 A	12 VDC / 2.4 Ah 24 VDC / 1.2 Ah

## 2. BATTERY HOUSING SPECIFICATIONS (BATTERIES ARE NOT INCLUDED)

PARAMETER	DESCRIPTION / CONDITIONS	SPECIFICATION
Voltage / Capacity	2 x lead acid sealed batteries	12 VDC / 1.2 Ah
Maximum Battery Size <sup>1</sup>	W x H x D	48.5 x 54.5 x 97.5 mm
Internal Protection Fuse	Self resettable	9 A
Maximum Charging Current	12 VDC Configuration	0.6 A
	24 VDC Configuration	0.3 A
Maximum Discharge Current	12 VDC Configuration	5 A
	24 VDC Configuration	3 A

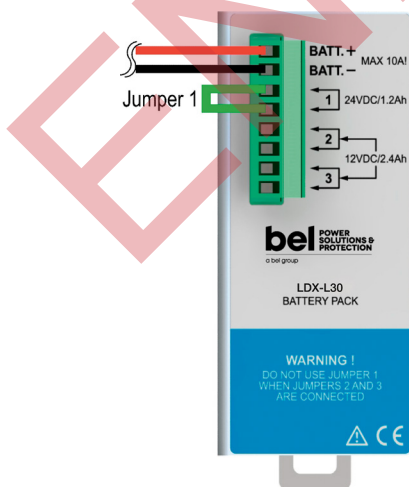
<sup>1</sup> Suggested batteries: Yuasa NP 1.2-12, Panasonic LC-R121R3PG, FIAMM FG 20121 or equivalent.

## 3. CONFIGURATION

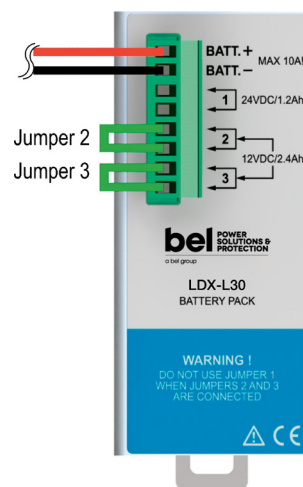
PARAMETER	DESCRIPTION / CONDITIONS	SPECIFICATION
Voltage / Capacity	Settable by external jumper	12 VDC / 2.4 Ah 24 VDC / 1.2 Ah

## 4. GENERAL & MECHANICAL SPECIFICATIONS

PARAMETER	DESCRIPTION / CONDITIONS	SPECIFICATION
Operating Temperature	Or according to battery limits	-20 to +40 °C
Protection Degree	EN 60529	IP20
Dimensions		54 x 115 x 110 mm
		2.12 x 4.53 x 4.33 in
Weight	Including 2 batteries	1200 g
Battery Connectors	Screw type pluggable (24 - 12 AWG)	2.5 mm <sup>2</sup>
Selection Mode Connectors	Screw type pluggable (24 - 12 AWG)	2.5 mm <sup>2</sup>
Case Material	Aluminum	



For 24 VDC / 1.2 Ah - Connect only Jumper 1



For 12 VDC / 2.4 Ah - Connect Jumper 2 and 3

### 5. PIN LAYOUT & DESCRIPTION



**INPUT / OUTPUT CONNECTION** BATT. + = IN/OUT Positive DC to Battery  
 BATT. - = IN/OUT Negative DC to Battery  
 24 VDC / 1.2 Ah = Jumper 1  
 12 VDC / 2.4 Ah = Jumper 2 and 3

### 6. MECHANICAL DRAWING

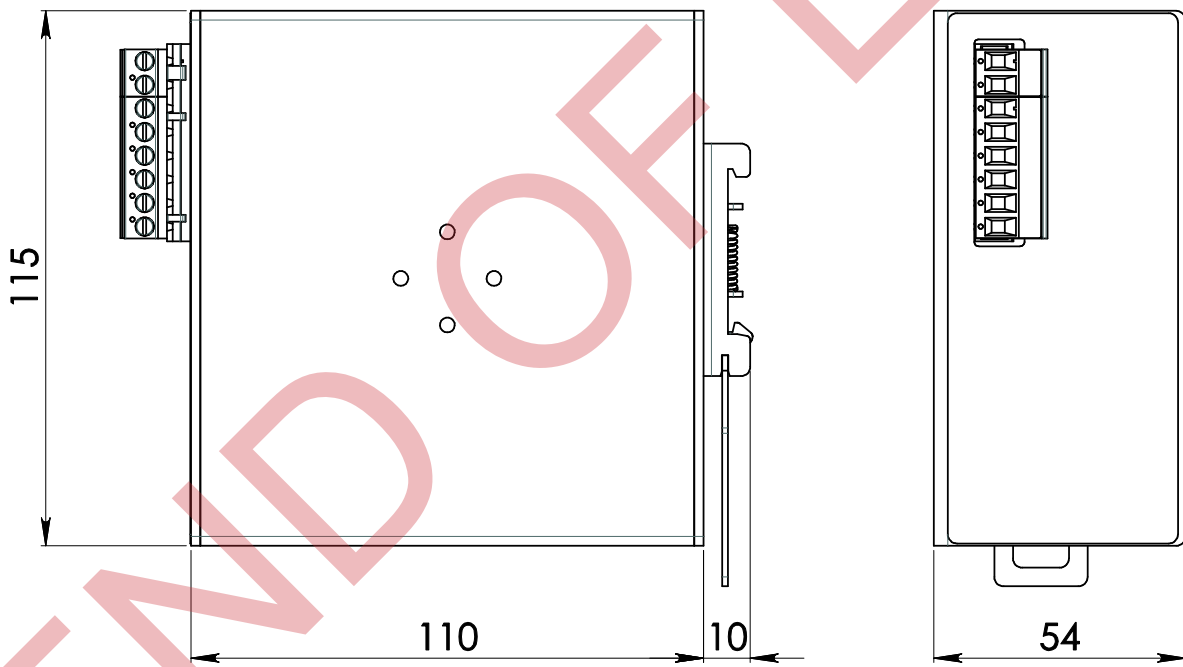


Figure 1. Mechanical Drawing

**Notes:**

Technical parameters are typical, measured in laboratory environment at 25°C.

For more details, performance and description regarding all parameters not indicate in the above table, please refer to [Installation Instruction](#).

**NUCLEAR AND MEDICAL APPLICATIONS** - Products are not designed or intended for use as critical components in life support systems, equipment used in hazardous environments, or nuclear control systems.

**TECHNICAL REVISIONS** - The appearance of products, including safety agency certifications pictured on labels, may change depending on the date manufactured. Specifications are subject to change without notice.



Asia-Pacific  
 +86 755 298 85888

EMEA  
 +353 61 49 8941

North America  
 +1 866 513 2839

[belfuse.com/power-solutions](http://belfuse.com/power-solutions)